

LAND CHAMP™

OWNER'S MANUAL



Product Codes:

SLC050FG8GR, SLC100FG8GR, SLC200FG8GR,
SLC050FG8GRS, SLC100FG8GRS, SLC200FG8GRS

Version 2.2

Copyright © Enduraplas. All Rights Reserved.



CONTENTS

INTRODUCTION	3
<hr/>	
WARNINGS 	4 & 5
<hr/>	
GETTING STARTED	6 - 21
<hr/>	
CALIBRATING	22 & 23
<hr/>	
MAINTAINING	24 & 25
<hr/>	
CLEANING	26 & 27
<hr/>	
WINTERIZING	28
<hr/>	
TROUBLESHOOTING	29 & 30
<hr/>	
WARRANTY	31 -34
<hr/>	
REGISTERING WARRANTY	35
<hr/>	
PARTS BREAKDOWNS	36 - 51

INTRODUCTION

Congratulations! You now own an Enduraplas sprayer. Durable design and construction assure you a lifetime of extreme performance. No sprayer is tougher. No sprayer will last longer.

Take a look through this owner's manual to learn how the pros use their Enduraplas sprayer.

Order Genuine Enduraplas Parts & Accessories:

parts.enduraplas.com



Watch Instruction Videos:

www.youtube.com/enduraplas

Discover More Helpful Tips:

blog.enduraplas.com/spraying

WARNINGS

1. When connecting this sprayer to your UTV (or vehicle), ensure that you have read the UTV's Owner's Manual and that you comply with all the weight restrictions as specified by the UTV's manufacturer, as overloading can cause injury or death. Remember that 1 gallon of water weighs 8.33 pounds.
2. To ensure your own safety and that of others, you must comply with all relevant environmental, work place health, safety legislation and codes of practice.
3. Select and wear appropriate Personal Protection Equipment in accordance with the label of the product you intend to use.
4. Care should be taken when spraying in windy conditions as spray drift may contaminate the air and may affect the operator or damage adjacent non-target vegetation. It is recommended that a speed of 6mph is not exceeded.
5. Once the spraying operation has been completed, decontaminate the spray tank and spray accessories. Dispose of tank rinsing's in compliance with current environmental, work place health and safety regulations.
6. Personal Protection Equipment must still be worn while decontaminating your sprayer as per warning 3 above.
7. Improper or careless use of this sprayer can cause serious injury. Minors should never be allowed to use this sprayer. This sprayer should not be used when bystanders or animals are in the area. This sprayer should never be used while children are in the area.
8. Never leave the sprayer unattended without turning off the pump, relieving the line pressure, and flushing the sprayer of any harmful chemicals.
9. You must be in good mental health to operate this sprayer and not be under the influence of alcohol or any drugs

that could impair your vision, physical strength, dexterity, judgment, or other mental capacity.

10. No modifications and/or alterations may be made to this sprayer. Any such modifications not only void the sprayer warranty but can make the unit dangerous to anyone operating the pump.
11. Always inspect hoses and piping to avoid burst injuries.

PTO WARNINGS

1. Wear tightly fitted clothing while connecting and disconnecting your sprayer.
2. Check to make sure all PTO shields and guards are in place when you are spraying.
3. Disengage the PTO, shut off the tractor, and remove the keys before connecting or disconnecting your PTO pump.
4. Do not reach over the back of the tractor to adjust the PTO or throttle.
5. Never step over a revolving PTO shaft even if shielded.

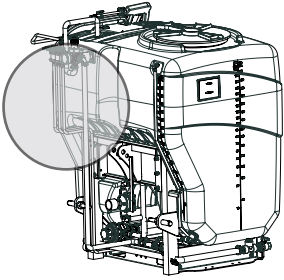


Watch Instruction Videos:
www.youtube.com/enduraplas

Discover More Helpful Tips:
blog.enduraplas.com/spraying

GETTING STARTED

Mounting the Controls



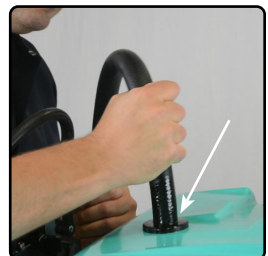
1) Connect controller bracket using four 1/4" x 3/4" bolts, four 1/4" flat washers, and four 1/4" lock washers.

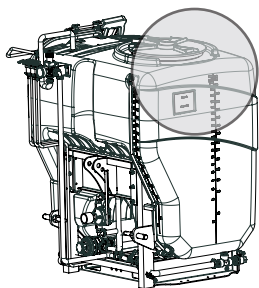


2) Tighten bolts securely.



3) Lubricate and insert hose into provided grommet in tank. Push hose about 4" into tank through grommet.



GETTING STARTED**Mounting the Hose/Gun Clips**

1) Attach the 2 brackets to the tank using two 3/8" x 3/4" bolts, two 3/8" flat washers, and two 3/8" lock washers.



2) Bolt hose clips onto brackets with two pan head screws and nuts.



3) Wrap hose around and insert gun into clips.



GETTING STARTED

Hitching to a Tractor

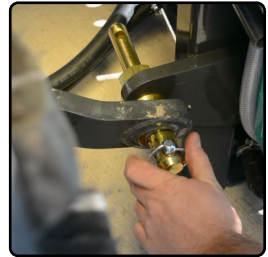
1) Align Tractor

Back the tractor up to the sprayer aligning tractor hitch points with the arms at the height of the two lower mounting points on sprayer.



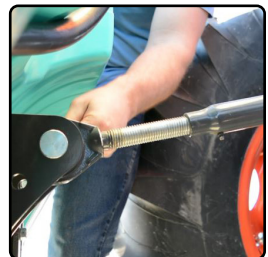
2) Insert Arm Pins

Hook the two lower hitch arms to the mounting point pins on the sprayer, then secure with lock pins.



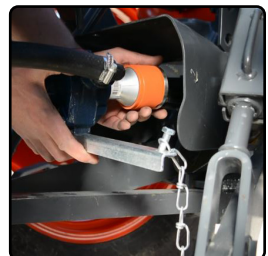
3) Insert Pin to Top Link

Hook up top three point arm on tractor to the third (top) mounting point on the sprayer and insert the lock pin.



4) Connect Pump

Align and connect the pump to the PTO shaft and hook on the torque chain to tractor frame to keep the pump from turning along with the PTO shaft.



GETTING STARTED**Hitching to a Tractor****5) Test**

Using the tractor's hydraulics, lift your sprayer off the ground to insure it is secured properly.



Watch Instruction Videos:
www.youtube.com/enduraplas

Discover More Helpful Tips:
blog.enduraplas.com/spraying

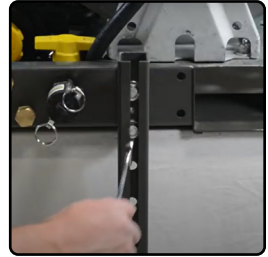
GETTING STARTED

Mounting Your Boom

1) To install boom brackets to the sprayer, insert the 3/8" x 1" bolts through the bracket and place plastic washers over bolts to hold them in place. The plastic washer will hold the bolt in place when connecting slide brackets to the C-bracket in step 2.



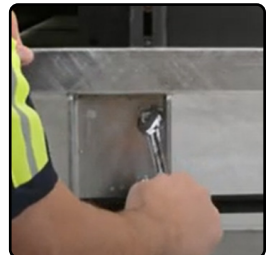
2) Connect the brackets by sliding the 3/8" x 1" bolts through the C-bracket on unit and install 3/8" washer and 3/8" lock nuts loosely. Leaving these bolts loose allows the bracket to adjust in step 3.



3) To install your boom to the brackets, loosen the carriage bolts on the boom (leaving nuts and washers on bolts). Align carriage bolts with quick attach brackets and slide them into the bracket slots, then lower the boom down to desired height.



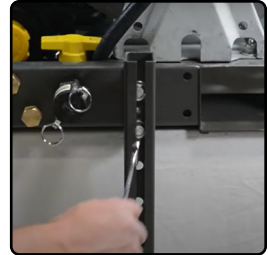
4) When the boom is set to desired height, tighten the hardware listed in steps 2 & 3, making sure the square neck on the carriage bolt is fully inserted through the slot.



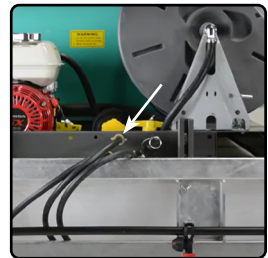
GETTING STARTED

Mounting Your Boom

5) Once the boom is secure, tighten the hardware on the boom brackets from step 2 to make sure they are also secure.

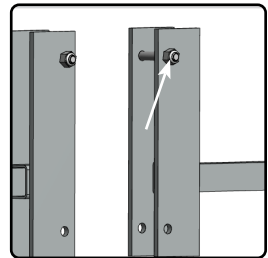


6) Take the feed hoses from boom and connect to male brass hose fittings on spray unit. Hook hoses up to the appropriate section control; 12', 20' and 30' booms have 3 hose hookups and boom-less nozzle has 2 hose hookups.

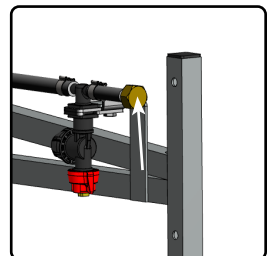


Installing 30' Wing Extension

7) If you got the 30' boom extensions, once the 20' boom is mounted, bolt on the extensions to the 20' boom ends with provided 5/16" x 2" bolts, installing them through the wing extension and boom end.



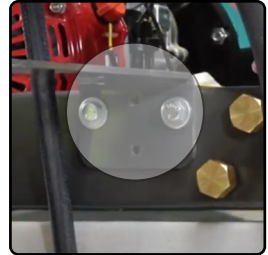
8) Then, hook up the wing extension hoses to the end of boom using the brass threaded connectors. Make sure the rubber washer is in the female brass fitting to prevent leaking.



GETTING STARTED

Mounting Your Boomless Nozzle

9) If you got the 30' boomless nozzle kit, bolt the boomless nozzle bracket to the back of sprayer frame using provided 5/16" x 1" bolts.



10) Hook up hoses, with female brass fitting, from boomless nozzle to male brass ports on back of sprayer. Make sure washer is installed in female fitting to prevent leaking.



Please refer to the spray boom owner's manual for boom assembly and parts breakdown.



Watch Instruction Videos:
www.youtube.com/enduraplas

Discover More Helpful Tips:
blog.enduraplas.com/spraying

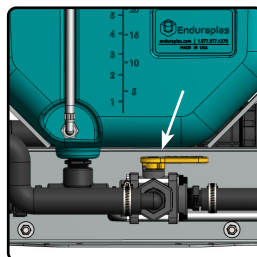
GETTING STARTED

Setting Up Sprayer

1) Fill your tank 1/4 full with water.



2) Ensure three way valve is in open position allowing liquid to flow from large tank to pump. Valve needs to be in forward position (handle facing tractor).



3) Before starting PTO, make sure the pressure regulator is fully open (counterclockwise) to avoid premature wear or damage to the pump. This will allow liquid to flow from pump and return back to tank. Pump should prime automatically. (Electric solenoids, refer to page 16.)



4) If liquid is not flowing into tank through the return line, there may be an airlock in the line and you may need to prime the pump. Remove plug from back of pump, allowing air out of the line. When liquid starts to flow, reinsert plug and pump should be primed.



GETTING STARTED

Setting Up Sprayer

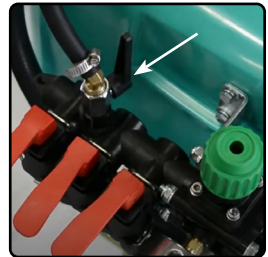
5) Once pump is running and liquid is recirculating back into the tank, tighten knob (clockwise) to desired pressure. This will lessen the liquid flow from the tank and redirect to the spray boom.

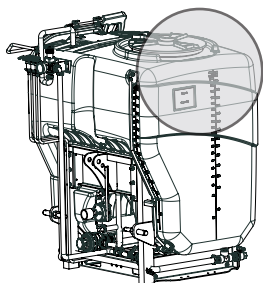


6) Once you have set your desired pressure, test the spray boom by turning on Right, Center, and Left section controls. When controls are in the up position, the sprayer boom should be engaged.

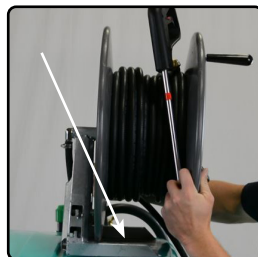


7) When using the hose wrap, make sure the valve to the hose wrap is open.



GETTING STARTED**Optional Hose Reel**

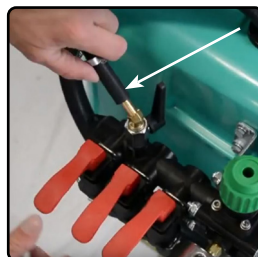
1) Place Hose Reel on Tank opposite of lid end.



2) Insert four 3/8" x 3/4" bolts with 3/8" flat washers and lock washers through hose reel into inserts in tank. Secure tightly.



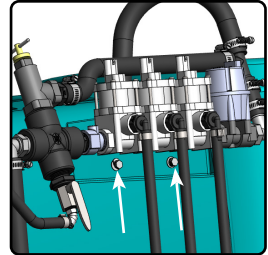
3) Run 3/8" hose from the hose reel to the black handled valve coming out of the top of the three way valve bank, connect and tighten clamp.



GETTING STARTED

Optional Electric Solenoid Kit

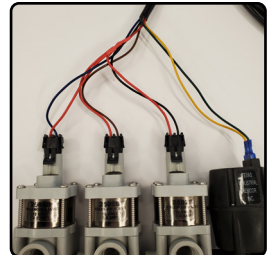
1) If you ordered your sprayer with the optional electric solenoid controls, mount solenoid kit to front of tank using two 1/4" x 3/4" bolts and 1/4" flat and lock washers.



2) Mount controller in cab; make sure this is mounted where it will not obstruct operators view.



3) Connect the wire harness from the controller to the 3 electric valve banks on sprayer by plugging in the matching ends to the valves. Blue is on the left, brown is in the center, and black is on the right.



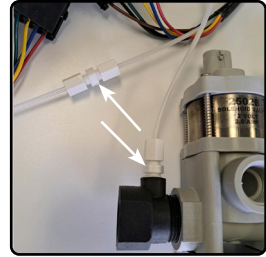
4) There are 2 wires in this harness running back to the solenoid kit that plug into the electric valve, yellow is positive and green is negative.



GETTING STARTED

Optional Electric Solenoid Kit

5) Connect white pressure line from controller to valve bank with provided connectors. Make sure white pressure hose is bottomed out all the way into connector fittings before tightening connector. The in-cab controller gauge will then show the pressure at the valve bank.



6) This unit comes with power wires that you will either need to add gator clips to or wire directly to a power source. If gator clips are used, connect to battery; red to positive and black to negative. Make sure there is no place for it to get cut or pinched.



7) Turn on vehicle key to power up controller and turn on master switch on controller. This will power up the electric solenoid bank on sprayer.



8) To make sure your solenoids have power, switch the 3 valve controls on and off listening for the valves to click open and shut on the sprayer. This will ensure valves are powered and operating.



GETTING STARTED

Optional Electric Solenoid Kit

9) Fill tank 1/4 full with water. This is so you can test the unit running liquid through the system without damaging the pump.



10) With sprayer pump running, increase your pressure to desired amount by holding up on pressure control toggle switch; hold up for a couple seconds, then release. At 0 PSI, liquid should be returning into the top of tank. As the pressure goes up, the return to tank will slow down and pressure to boom will increase.



11) Once you have reached desired pressure, test the spray boom by turning on the Left, Center, and Right control switches. This will open the electric valves allowing flow out boom sections. (Left Center and Right)



GETTING STARTED**Optional Hand Wash Tank**

1) Insert hand wash clip bolts into the holes on the brackets and tighten bolts.



2) Screw both mounting brackets into the tank inserts and tighten.



3) Connect hand wash tank by sliding tank into cradle brackets and inserting the clip mounts through the tank. When the tank is in position, flip the clip lock to secure.



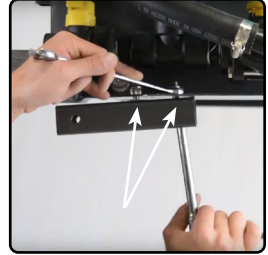
4) Wrap threads on spigot with sealant tape and thread spigot into tank.



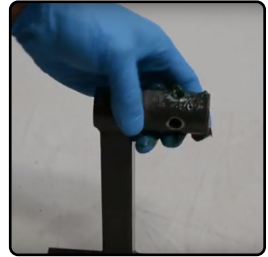
GETTING STARTED

Optional Storage Stand

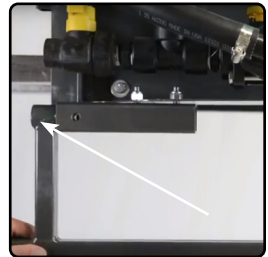
1) Loosely connect the first stand bracket to the sprayer stand with two bolts.



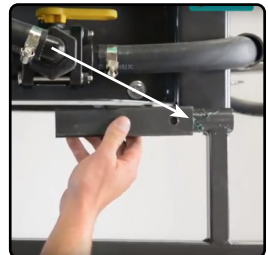
2) Lubricate all round sections on the stand.



3) Insert one end of the stand into the first bracket that was loosely connected.

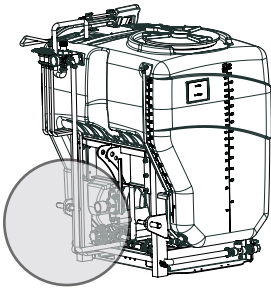


4) Slide the second bracket onto the other end of the stand and mount it to the sprayer frame. Then tighten all bolts. Repeat on the other side of the frame to complete stand.

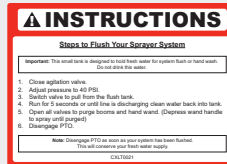


GETTING STARTED

Using the Built-in Flush System



READ INSTRUCTIONS ON SPRAYER



Important: This small tank is designed to hold fresh water for system flush or hand wash. To flush pump and boom after use, turn valve handle out to the side (when drawing liquid from large tank, handle should be forward facing towards the tractor). This will allow the water to flow out of the small freshwater tank instead of the large tank. Do not drink this water.



Watch Instruction Videos:
www.youtube.com/enduraplas

CALIBRATING

1) Measure Nozzle Spacing

Measure the distance between each nozzle to determine the length of your travel distance.

Nozzle spacing = Distance to travel

(16" = 255') (18" = 227') (20" = 204')

(22" = 185') (24" = 170')

*Distances shown with 110°
nozzles



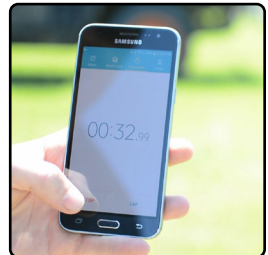
2) Measure Appropriate Travel Distance

Mark the distance with flags or between fence posts. A tape measure capable of measuring farther than 200 ft. will make this step easier.



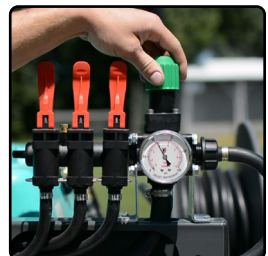
3) Drive Measured Distance - Timed

Driving the sprayer at the intended spraying speed, time how long it takes to travel between the marked distance. Repeat this procedure and average the two measurements.



4) Set Correct Spraying Pressure

With the sprayer parked and the pump running, set the ideal or intended pressure.





For Your Safety, Watch Video:
blog.enduraplas.com/spraying

5) Catch Output From Each Nozzle

Catch the output in a container (marked in ounces) for the same number of seconds it took to drive in step 3. Calculate the ‘average nozzle output’ by adding the individual outputs and then dividing by the number of nozzles tested.



6) Clean Nozzles - If Needed

If any one nozzle’s output deviates from the manufacturers’ guidelines by more than 10%, the nozzle should be replaced or cleaned. A toothbrush works perfect.



7) Analyze Results

The ounces captured per nozzle equals the gallons-per-acre application rate. (eg: 16 ounces = 16 gallons-per-acre)



8) Compare Recommended Rate

If the gallons-per-acre rate is not within 5% of the intended rate, you will have to adjust the pressure you spray at or the speed you travel. You will have to repeat steps 3 - 7.



MAINTAINING

Keeping your sprayer in good condition will help you lengthen the life of the sprayer. Everyone knows that when you look after something, it lasts longer. Sprayer maintenance can seem a huge task if you don't have the right tools.



Watch Instruction Videos:
www.youtube.com/enduraplas

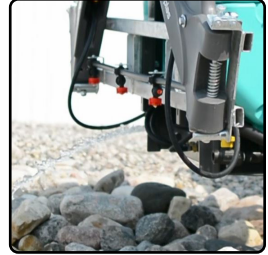
Discover More Helpful Tips:
blog.enduraplas.com/spraying

	Before starting work	At the end of work and/or daily	Weekly or every 40 operating hours	After the first 5 operating hours	Every 250 operating hours or once a year	If damaged	If required
<p>The information applies in normal operating conditions. The specific intervals must be shortened accordingly for longer daily working hours. If the machine is only used occasionally, the intervals can be extended accordingly.</p>	Visual inspection (condition, leaks)	X					
	Complete machine		X				
	Tank, hoses and fittings		X				
	Filter basket (inside lid)		X				X
	In-line filter		X				X
	Spray lance nozzle						X
	All accessible screws and nuts						X
	Safety labels						X
	Pump						X
		Read and follow all maintenance and care instructions in the pump manual.					

CLEANING

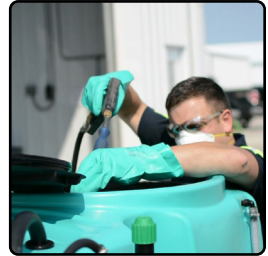
1) Drain Tank and Rinse

Rinse all liquid out of the tank. When flushing the sprayer, pay attention to where the chemical will run. Always clean in an area that will not contaminate water supplies, streams or crops.



2) Pressure Wash Inside Tank

After draining the tank, rinse the inside by spraying clean water with a pressure washer.



3) Add Clean Water

It's now time to shut the pump off and fill the tank with clean water.



4) Flush Clean Water Through System

Turn the pump on and spray the clean water through the boom and hand wand.





For Your Safety, Watch Video:
blog.enduraplas.com/spraying

5) Add Cleaning Solution and Water

Add the recommended cleaning solution to the tank of water. To mix, run the agitator inside the sprayer.

Operate for 5 - 10 minutes to mix the cleaning solution with the water.



6) Let Sprayer Sit For 8 Hours

With the water and cleaning solution left in the sprayer tank, let it sit for about eight hours. This will allow the solution to remove any herbicide from the residues inside the tank.



7) Clean Nozzles, Screens, and Filters

It's now time to rinse all nozzles, screens and filters. To clean thoroughly, put them in a bucket of cleaning agent and water.



8) Rinse Entire System with Water

When all nozzles, etc. are back in place, give the entire system a complete rinse to ensure all cleaning solution is flushed through the unit.



WINTERIZING

1) Drain Tank

Fill the tank with clean water, start the pump and open all spray ends. If you have a spray gun or boom, make sure you spray until clean water is coming through.



2) Blow out Plumbing Lines

Using compressed air, blow out the hose lines to remove all water from the system.



3) Flush with Anti-freeze

Pour a small amount of anti-freeze into the tank and run the pump until there is no more of this colored liquid coming through the spray ends.



4) Store Sprayer Inside

Turn off the sprayer ends so the remaining anti-freeze does not leak out. If you have a boom attachment that hangs lower than the sprayer, we would suggest you sit the sprayer on a few pallets.



TROUBLESHOOTING

CONDITION	CAUSE	REMEDY
Pump will not prime	<ol style="list-style-type: none"> 1) Insufficient motor RPM 2) Air leak on suction plumbing 3) Blocked/Restricted intake hose 4) Filter cap disengaged 5) Filter gasket damaged/missing 6) Airlock in the plumbing lines 	<ol style="list-style-type: none"> 1) Increase motor RPM until pump primes 2) Tighten/replace fittings & hose clamps. Verify suction hoses are in good condition 3) Remove blockage from suction line, ensure line is not kinked 4) Lock filter cap into position 5) Replace filter gasket 6) Take small plug out of back of pump allowing air to bleed out of system; when liquid begins to flow, reinsert plug. Refer to step 4 on pg. 13
Pressure drops/fluctuates during standard operation	<ol style="list-style-type: none"> 1) Restriction on suction line 2) Pump sucking air 3) Plugged filter 4) Damaged regulator 	<ol style="list-style-type: none"> 1) Inspect tank and suction lines and remove restriction 2) Tighten fittings 3) Remove and clean filter mesh and housing 4) Remove regulator stem and inspect for broken parts/pieces
Pressure gauge not registering	<ol style="list-style-type: none"> 1) Plugged with debris 	<ol style="list-style-type: none"> 1) Unthread, check and clean pressure gauge

CONDITION	CAUSE	REMEDY
Hand gun loses pressure	1) Debris in hose or nozzle 2) Pump losing prime 3) Pump pressure dropping/fluctuating	1) Unthread nozzle tip and clean 2) See Remedy for 'Pump will not prime or loses prime' 3) See Remedy for 'Pressure drops/ fluctuates during standard operation'



Watch Instruction Videos:
www.youtube.com/enduraplas

Discover More Helpful Tips:
blog.enduraplas.com/spraying

WARRANTY

1. Poly Tank Limited Warranty - Subject to other terms in this Limited Warranty, Manufacturer warrants to the original end user that this Tank will be free from material defects caused during the manufacturing process for a period of 5 years from the Purchase Date provided such warranty to the original end user shall be extended to 10 years from the Purchase Date if the original end user registers the Tank with Manufacturer within 30 days of the Purchase Date. To register the Limited Warranty, registration must be completed in accordance with the requirements set forth at enduraplaswarranty.com

Other Products and Parts Limited Warranty - Subject to other terms in this Limited Warranty, Manufacturer warrants to the original end user that products and parts manufactured by Manufacturer (other than tanks) will be free from material defects caused during the manufacturing process for a period of 1 year from the Purchase Date unless otherwise expressly stated in writing by Manufacturer that an extended warranty applies.

2. Other Warranties Disclaimed and Excluded

THERE ARE NO WARRANTIES, EXPRESS OR IMPLIED, WHICH EXTEND BEYOND THE LIMITED WARRANTY HEREIN STATED, AND MANUFACTURER EXPLICITLY DISCLAIMS AND EXCLUDES ANY AND ALL OTHER WARRANTIES INCLUDING BUT NOT LIMITED TO WARRANTIES OF MERCHANTABILITY, FITNESS FOR PARTICULAR PURPOSE, CUSTOM OR USAGE OF TRADE, AND COURSE OF DEALING. NO AGENT, EMPLOYEE OR REPRESENTATIVE OF MANUFACTURER HAS AUTHORITY TO BIND MANUFACTURER TO ANY REPRESENTATION OR WARRANTY EXCEPT AS STATED IN THIS LIMITED WARRANTY.

WARRANTY

3. Limitation of Liability under the Limited Warranty - In addition to those warranties disclaimed and excluded in clause 2 above, Manufacturer expressly further limits its warranty and liability under the Limited Warranty as set forth below in this clause 3.

3.1. The liability of Manufacturer under this Limited Warranty is excluded to the extent that any defect has been caused or contributed to by:

- a) any accident, contamination, tampering, willful damage, abuse, modification, improper storage, improper use (including but without limitation the storage of material) or negligent act of, or omission by, any person other than Manufacturer;
- b) the improper installation of the Goods, or deterioration of the base on which any of the Goods rest or are mounted to;
- c) any damage to the Goods caused by storm, wash away, landslide, mudslide, lightning, or any other natural phenomenon, vermin or other pests, and any undermining of the base of the Tank through any cause whatsoever;
- d) the repositioning of the Goods from their original installation;
- e) weathering or degradation of the Goods due to extreme climatic conditions;
- f) improper installation of extra fittings;
- g) any staining or discoloration, including from trees or ash fall-out from fires or other causes;
- h) a Tank not being placed on a base that is free of any protruding objects of any kind;
- i) a Tank being used for any purpose other than the storage of suitable liquids at the ambient temperatures.

WARRANTY

3.2. Without limiting the generality of clause 3.1:

- a) Manufacturer will not be liable for any personal injury, indirect or incidental damages, consequential losses, loss of liquids, loss of profit or any like claims whatsoever arising from any use of, or incidental to, or repairs to any of the Goods by a party other than Manufacturer;
- b) to the extent that any component or material (including, but without limitation the polyethylene) used in the manufacture of any of the Goods is supplied and/or manufactured by a third party, the liability of Manufacturer is limited to Manufacturer's right of redress (if any) against the third-party supplier/manufacturer;
- c) Tanks feature a vented lid at the time of manufacture. Any subsequent pressurization of the Tank by removing the vent, sealing the vent, or otherwise will cause this Limited Warranty as to such Tank to be null and void.
- d) The liability of Manufacturer under this Limited Warranty is limited to, at Manufacturer's discretion:
- e) providing a replacement Good (including shipping but excluding other replacement costs);
- f) refunding an amount equal to a sum equal to the current Retail price divided by the months in the warranty, multiplied by the months remaining in the warranty period;
- g) repairing the Good at no cost.

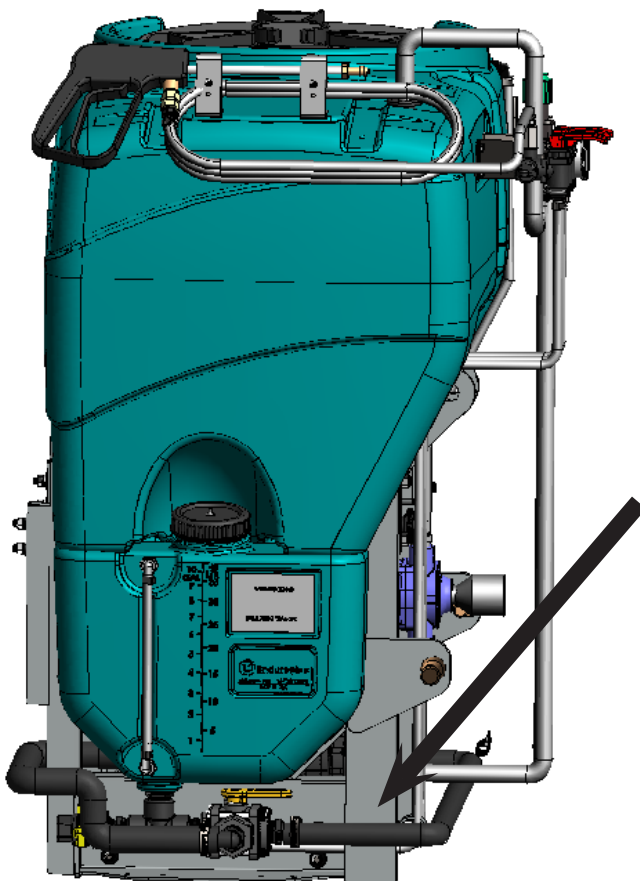
4. Proof of Purchase - The original invoice or other similar proof of purchase of the applicable must be provided by Purchaser to Manufacturer when making a claim under this Limited Warranty. Warranty claims must be received in writing by Manufacturer within the Limited Warranty period.

WARRANTY

5. Claims and Questions - If you have questions about this Limited Warranty or to make a warranty claim, contact Manufacturer at: customercare@enduraplas.com
6. Definitions - For this Limited Warranty the following definitions apply:
 - a) Manufacturer means Enduraplas LLC.
 - b) Purchase Date means the date upon which the applicable goods were purchased by the original end user.
 - c) Purchase Price means the actual price paid for the Tank by the original Purchaser.
 - d) Tank means the storage Tank manufactured by Manufacturer and purchased by the original end user Purchaser being the subject matter of the Limited Warranty.
 - e) Good(s) mean Tanks and/or other products or parts manufactured by Enduraplas LLC.
 - f) Limited Warranty means this written Limited Warranty.
7. State Law - Some states do not allow the exclusion or limitation of incidental or consequential damages, so the above limitation and exclusion may not apply to certain parties. Some states do not allow limitation on how long an implied warranty lasts, so the above limitation may not apply to certain parties. This limited warranty gives specific legal rights and other rights, which vary from state to state, may also apply.
8. Governing Law - This Limited Warranty will be governed by the laws of the State of Minnesota, without giving effect to any choice of law rule that would cause the application of the laws of any other jurisdiction

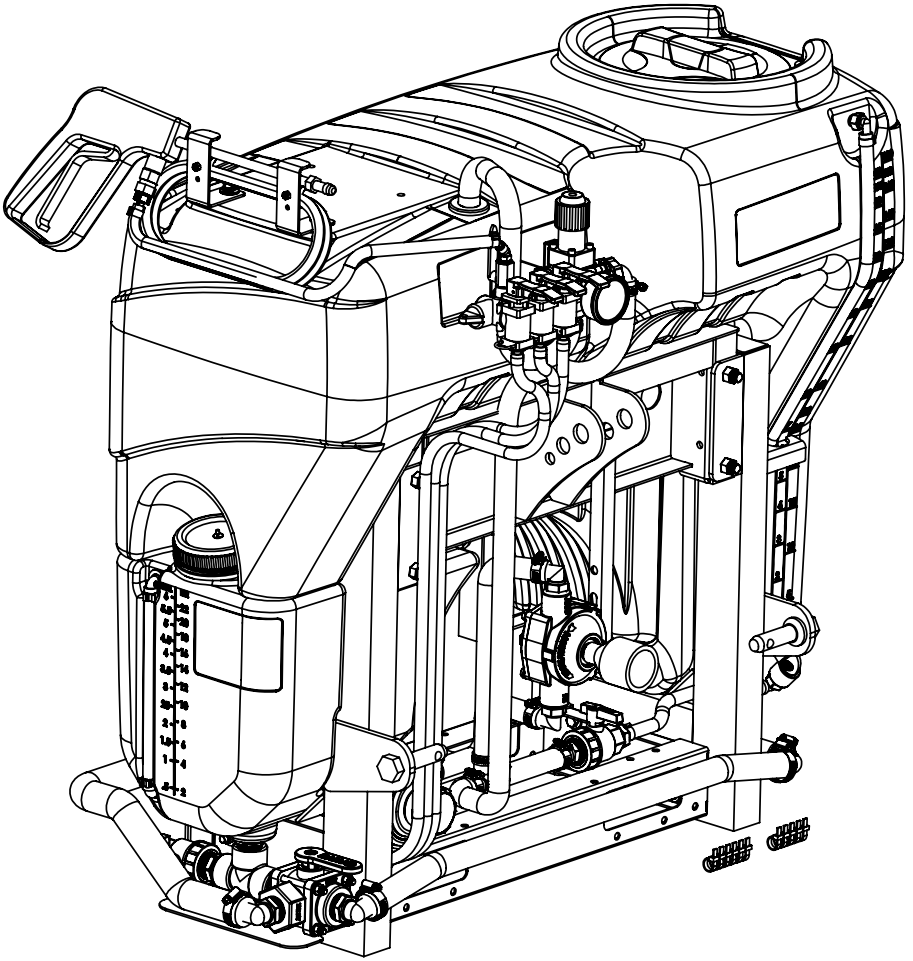
REGISTERING WARRANTY

Serial Number Location



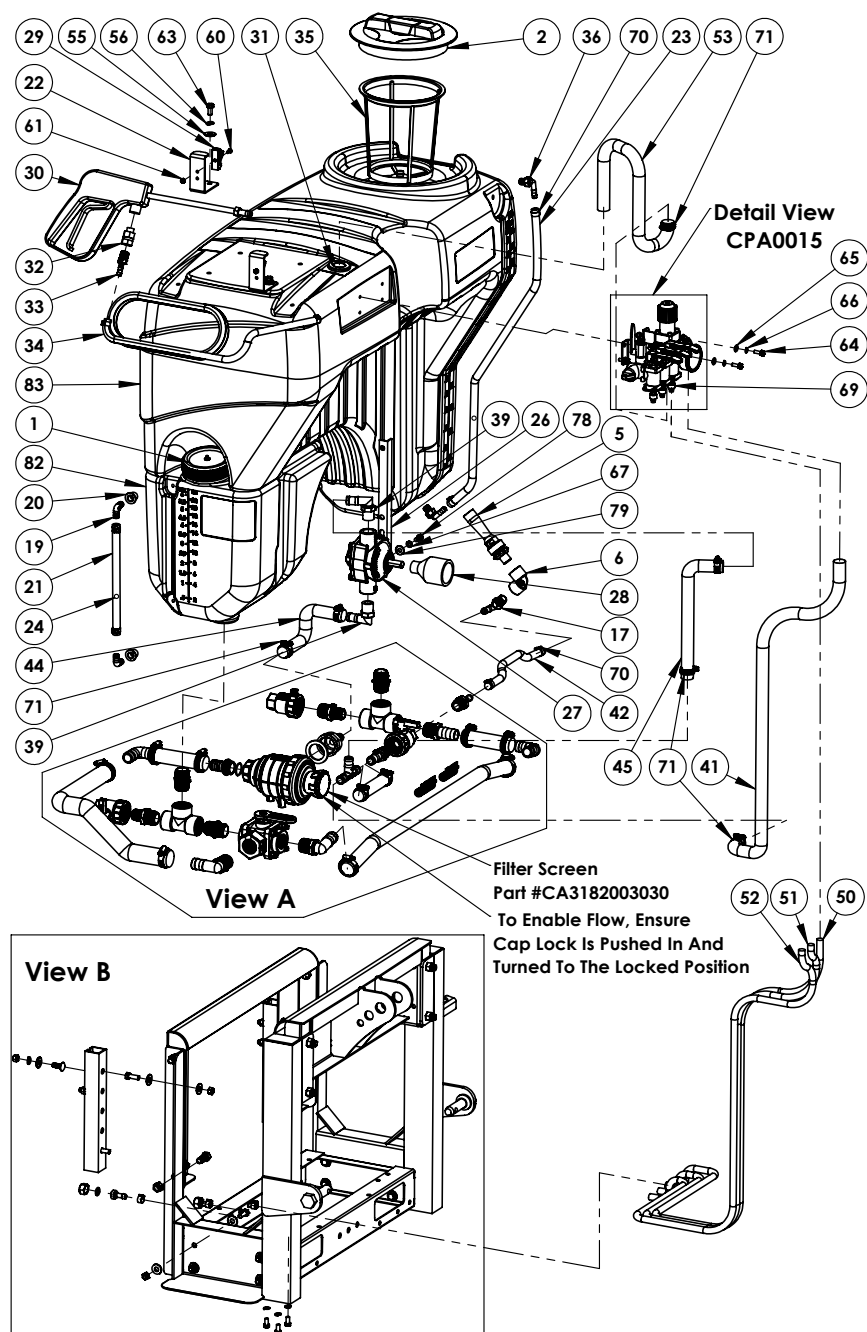
How to Activate

To double your 5-year tank warranty, visit enduraplaswarranty.com and register this product.

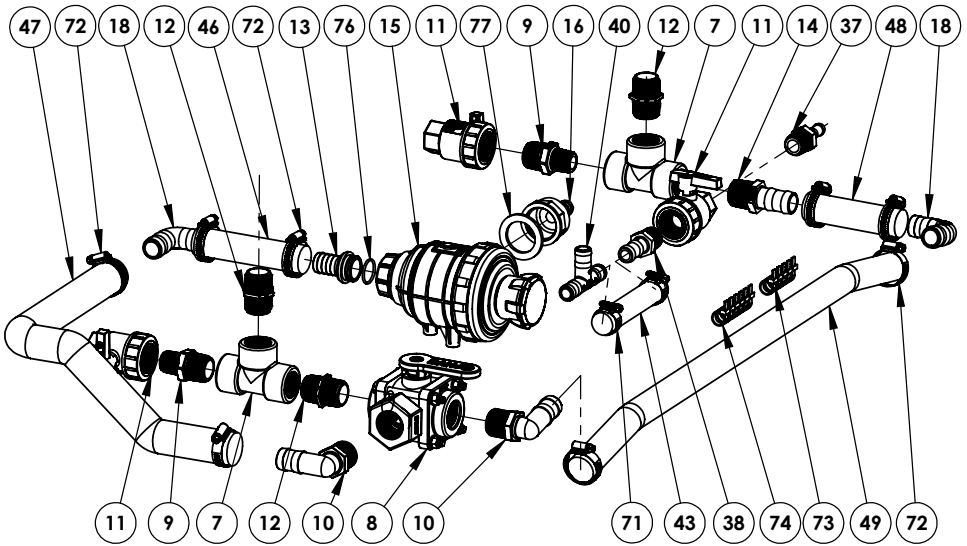


SLC050FG8GR

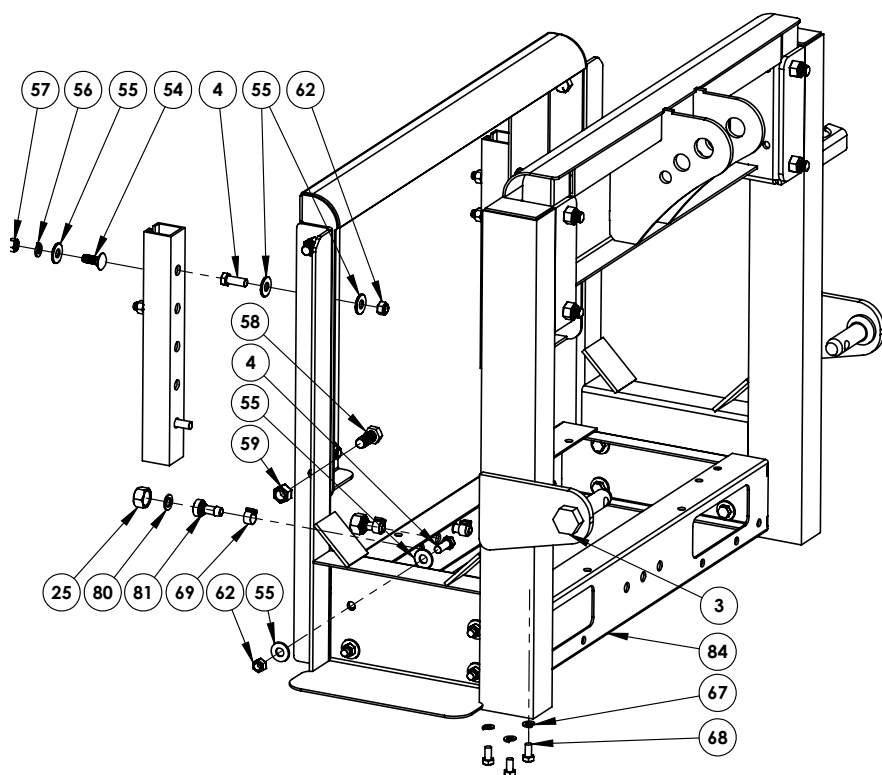
OVERVIEW



DETAIL VIEW A



DETAIL VIEW B



PARTS LIST

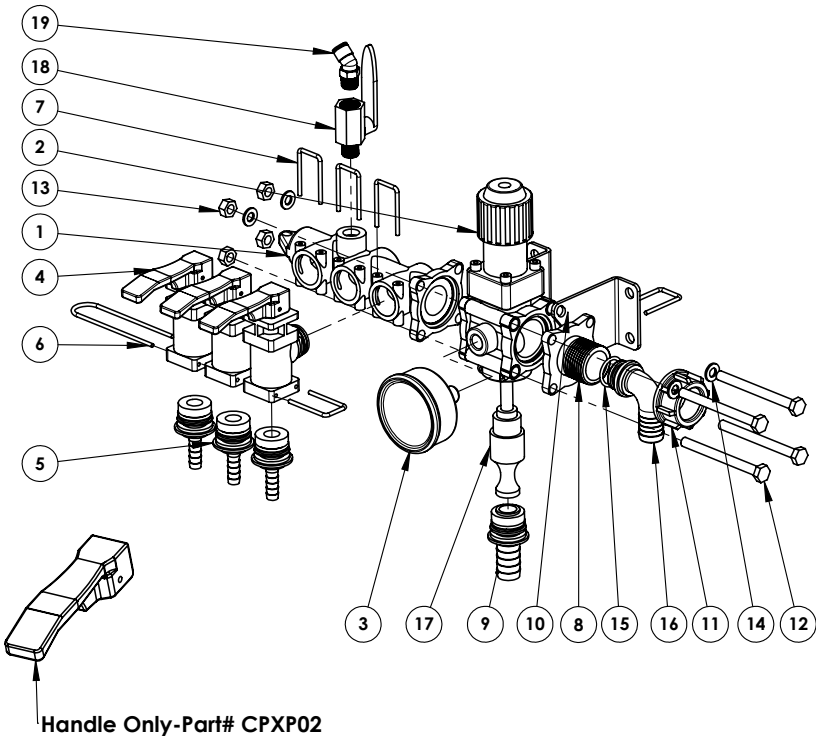
ITEM NO.	Part #	DESCRIPTION	QTY.
1	CG839113021	4" threaded vented tank lid	1
2	CA3511221	8 inch lid	1
3	CV1511P	3 point CAT 1 imp pin	2
4	CHBZ030525	3/8" x 1" Bolt	12
5	CA502020	Agitator	1
6	CBEL05090	1/2 FNPT Poly Pipe Elbow 90	1
7	CBTEE100	1 FNPT Pipe Tee	2
8	CBV100SL	1 Side Load 3 Way Valve	1
9	CBRN100-075	1 x 3/4 Poly Reducing Nipple	2
10	CFPE05M05B	1 MNPT x 1 Hose Barb 90	2
11	CVPBV234	3/4 FPT Union Valve	3
12	CFPN05M05M	1 Short Poly Nipple	3
13	CA106525	Hosetail Straight D.25 for Fly-Nut 1 1/4 inch	1
14	CFPS05M05B	1 Hose Barb	1
15	CA3132453	Automatic filter 1-1/4	1
16	CA100519	1-1/4 BSP x 3/4 hose barb	1
17	CBHB05090	1/2 MNPT x 1/2 Hose Shank 90	1
18	CV3EL12HB	1/2 X 1/2 90 Degree hose barb	2
19	CV3EL12HB	1/2 X 1/2 hose barb 90 degree	2
20	CPFG10	5/8 Top hat grommet	2
21	CLUVGC02502	Site gauge hose	1
22	AZKF0012	hose wrap for 3pt sprayers	2
23	CLUVGC02502	Site gauge hose	1
24	CPSB01	10MM Site Glass Ball Level Indicator	2
25	CFBU02C	Brass Cap-GH	3
26	CPPDR001	Torque Bar and Chain Assembly	1
27	APD19G006R	6 Roller CI pump	1
28	CPPDR002	Coupler 1.375 x .625 PTO Adaptor	1
29	CVGC100	Wand Clip	2
30	CVSTAL26SH	SPRAY GUN 9 INCH BARREL	1
31	CPFG15	3/4 Press fit hose grommet	1
32	CVSW038	3/8 FNPT X 3/8 MNPT SWIVEL	1
33	CFPS01M01B	3/8 MPT x 3/8 Hose Barb Straight	1
34	CLUESB020001	3/8 EPDM Hose	1
35	CA300116	8 inch filter basket	1
36	CBHB02505090	1/4 MNPT x 1/2 Hose Barb	2
37	CFPS04M02B	3/4 MPT X 1/2 Hose Barb	1
38	CFPS04M04B	3/4 MNPT To 3/4 Hose Shank	1
39	CFPE04M04B	3/4 MNPT x 3/4 Hose Barb 90	2
40	CFPT04B	3/4 Hose Barb Tee	1
41	CLUESB020004	3/4 EPDM Hose	1
42	CLUESB020002	1/2 EPDM Hose	1
43	CLUESB020004	3/4 EPDM Hose	1

PARTS LIST

ITEM NO.	Part #	DESCRIPTION	QTY.
44	CLUESB020004	3/4 EPDM Hose	1
45	CLUESB020004	3/4 EPDM Hose	1
46	CLUESB020005	1 EPDM Hose	1
47	CLUESB020005	1 EPDM Hose	1
48	CLUESB020005	1 EPDM Hose	1
49	CLUESB020005	1 EPDM Hose	1
50	CLUESB020001	3/8 EPDM Hose	1
51	CLUESB020001	3/8 EPDM Hose	1
52	CLUESB020001	3/8 EPDM Hose	1
53	CLUESB020004	3/4 EPDM Hose	1
54	CHBZ030525C	3/8" x 1 Carriage Bolt	4
55	CHWZF035	3/8" Flat Washer	30
56	CHWZL035	3/8 Lock washer	6
57	CHNZH0325	3/8" Nut	4
58	CHBZ050625	1/2" x 1 1/4" Bolt	8
59	CHNZN0525	1/2" Nylock Nut	8
60	CHMS900213	10-32 - 1/2 Pan head screw	2
61	CHNSN903	10-32 18-8 SS LOCKNUT	2
62	CHNZN0325	3/8" Nylock Nut	12
63	CHBZ030425	3/8 x 3/4 bolt	2
64	CHBZ010325	1/4 X 3/4 Bolt	4
65	CHWZF015	1/4" Flat Washer	4
66	CHWZL015	1/4" Lock Washer	4
67	CHWZL025	5-16 Lock Washer	5
68	CHBZ8014088125	8 x 1.25 x 20MM Hex Head Bolt	3
69	CFCC002	CLAMP FOR 3/8" HOSE	8
70	CFCC003	Clamp for 1/2" Hose	6
71	CFCW001	Clamp For 3/4" Hose	9
72	CFCW003	Clamp For 1" Hose	8
73	CXSC0002	Cable Tie 8"	5
74	CXT0001	Cable Tie 14"	6
75	CA2002050	Fly-Nut 1-1/4	1
76	CAG10051	O Ring EPDM	1
77	CAG0005	1-1/4" Flat seal for wall fittings	1
78	CHBZ020325	5-16 x .75 Hex Bolt	2
79	CHWZF025	5/16 Flat washer	2
80	CFBU02G	rubber washer for brass cap	3
81	CFBU01B02M	3/8 Union nipple 1/2 male thread	3
82	AMSLRT11FG	Rinse Tank for 100 Gal 3 Pt	1
83	AMTHSL100FG	100 Gal 3 Point Spray Tank	1
84	AZFP0553	55 Gal 3 Point Frame	1

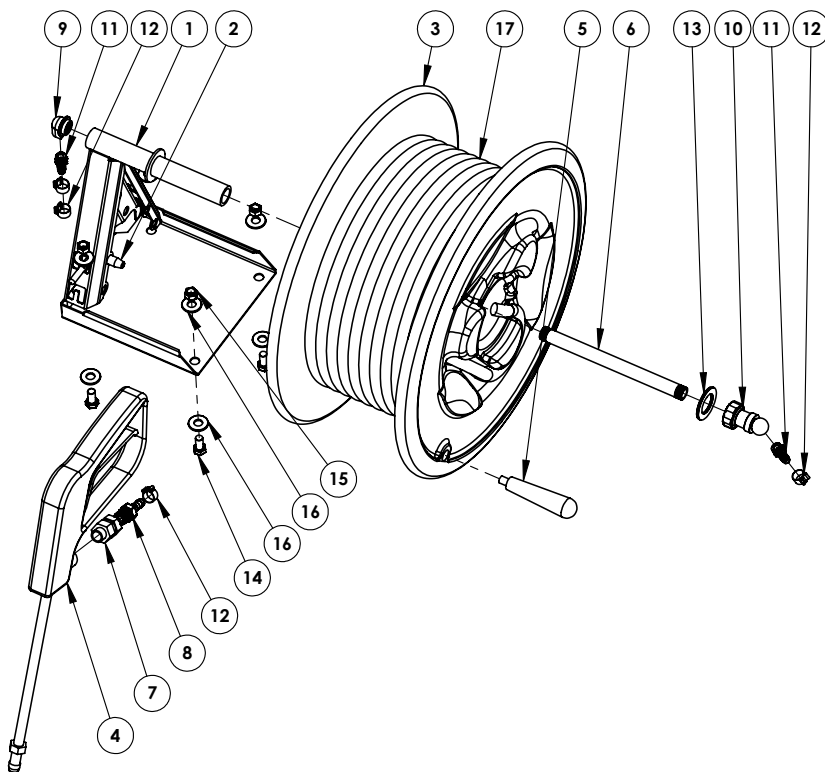
DETAIL VIEW CPA0015

ITEM NO.	PART #	DESCRIPTION	QTY.
1	CA461031010	Manifold Body for 3-way outlet	1
2	CA463080	Pressure Relief Control Valve asm.	1
3	CV2240GXB300	Pressure Gauge 300PSI Glycerin Filled	1
4	CA464402151	Single Auxiliary Cock for Valve	3
5	CA463001A10	3/8" Hose barb for valve 463	3
6	CA10012	Large Fork Pin	1
7	CA10002	Small Fork Pin	5
8	CA463000040	1 inch Male BSP adapter	1
9	CA463080A19	3/4" Hose barb for valve 463	1
10	CA463911100	Mounting Bracket	2
11	CA2002040	Fly Nut 1 inch	1
12	3 Pt Bolt	Bolt for Pro Valve Bank	4
13	3 Pt Lock Nut	Lock Nut on Pro Valve Bank	4
14	3 Pt washer	Washer on Pro Valve Bank	4
15	CAG10041	Gasket 20mm, hoesetail	1
16	CA116420	Hosetail D 3/4" 90 for Fly-Nut 1"	1
17	CA463080510	Valve Stem Kit for 463080	1
18	CVS34BZO	1/4 FNPT x 1/4 MNPT Lever Ball Valve	1
19	CFBE00M01BA	.25MPT x .375 HB 45 Brass Elbow	1

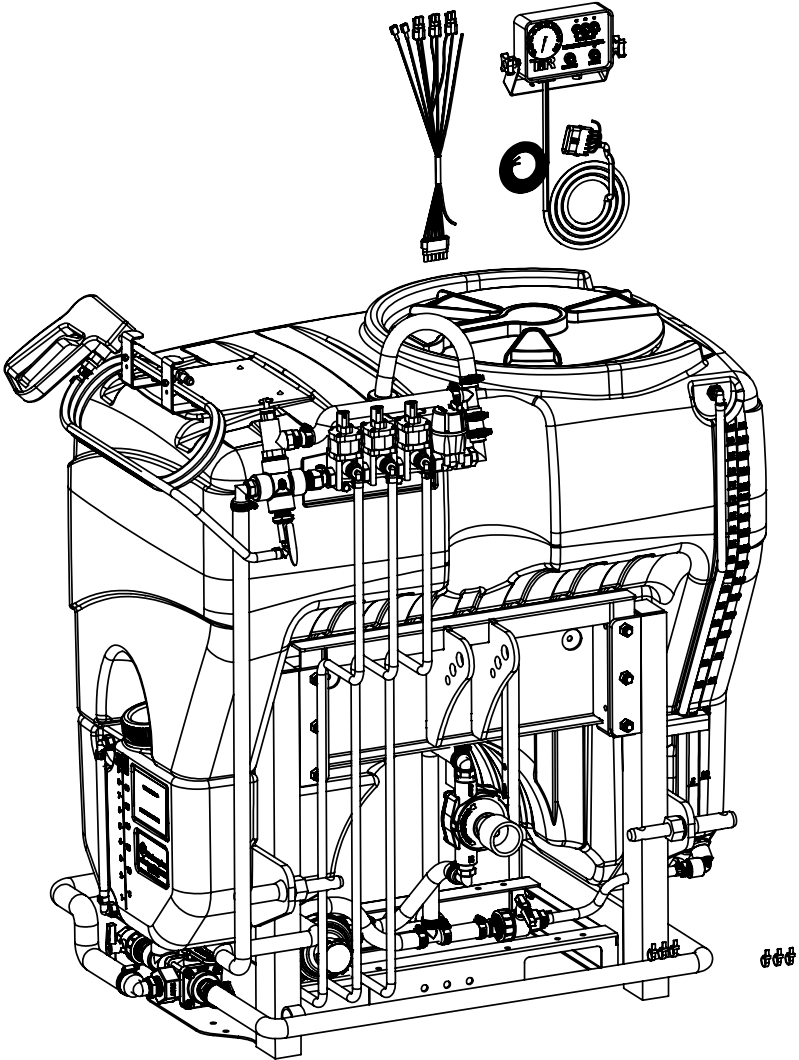


DETAIL VIEW AHSPB100GY01

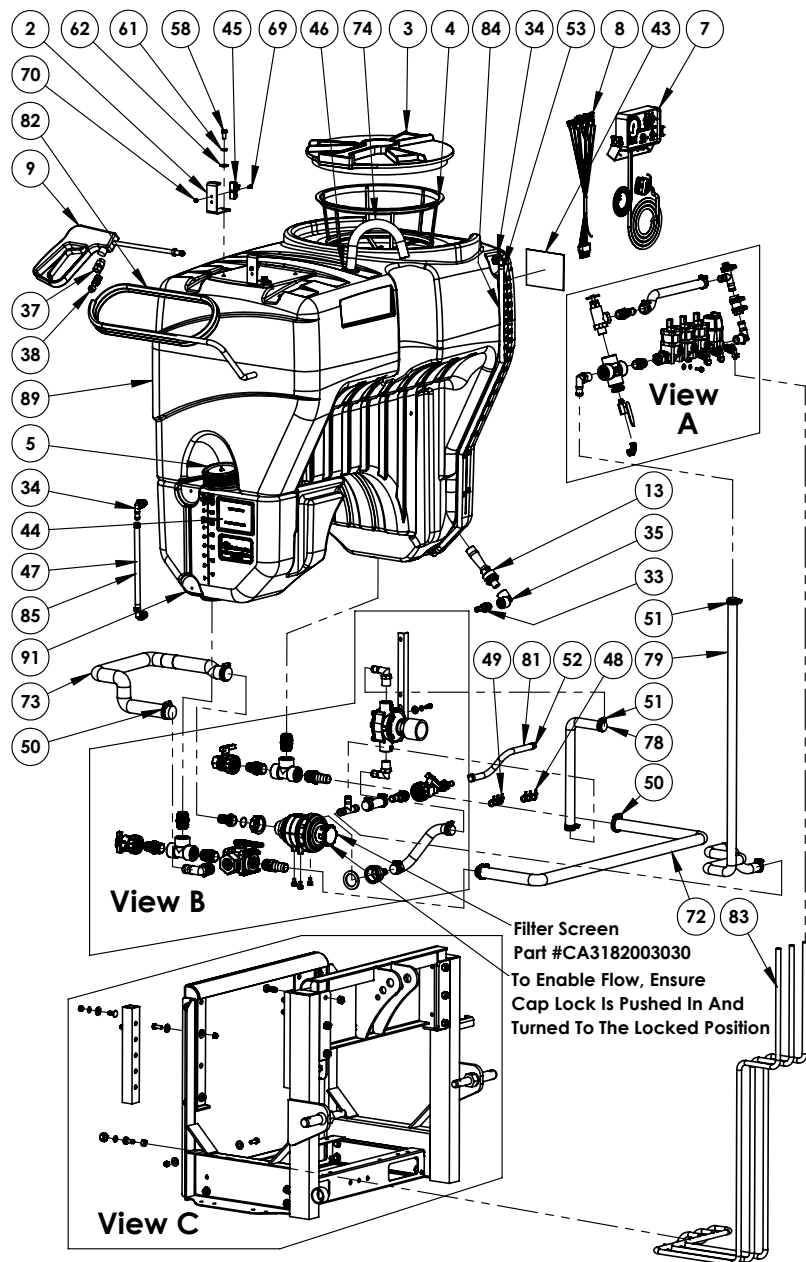
ITEM NO.	PART #	DESCRIPTION	QTY.
1	AZKH0003	30-50 Base Mount HR Frame	1
2	AZKH0018	Lock for Small Hose Reel	1
3	AMAH01GY	HR030/050 REEL ONLY	1
4	CVSTAL26SH	SPRAY GUN 9 INCH BARREL	1
5	CFRH03C	PHENOIC TAPERED HANDLE	1
6	CFRB07	STAINLESS PIPE 3/8 THREAD BOTH ENDS	1
7	CVSW038	3/8 FPT X 3/8 MPT SWIVEL	1
8	CFPS01M01B	3/8" MPT x 3/8" Hose Barb Straight	1
9	CFRB06	1/4-3/8 BSP FEMALE ELBOW	1
10	CFRB08	3/8 X 1/4 BALL BEARING SWIVEL	1
11	CFRB05	1/4 MALE THREAD X 3/8 HOSE BARB	2
12	CFCC002	CLAMP FOR 3/8 HOSE	4
13	CHWZF105	1 SAE Flat Washer	1
14	CHBZ030425	3/8 x 3/4 bolt	4
15	CHNZN0325	3/8" Nylock Nut	4
16	CHWZF035	3/8" Flat Washer	8
17	CLUESB020001	3/8 EPDM HOSE - 100"	1



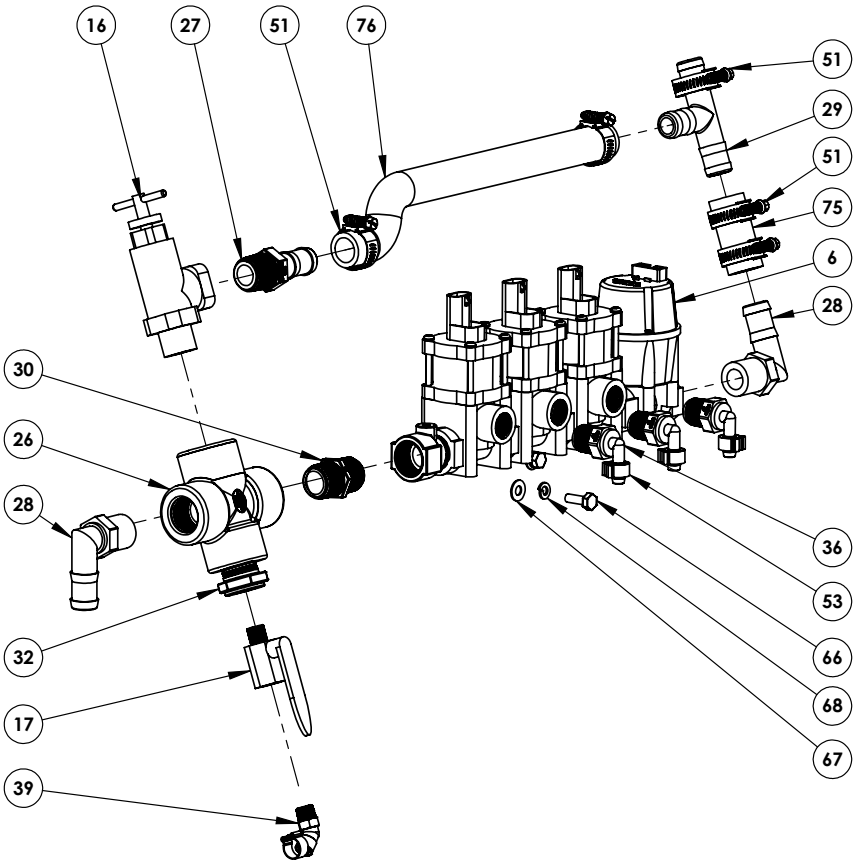
ELECTRIC SOLENOID KIT



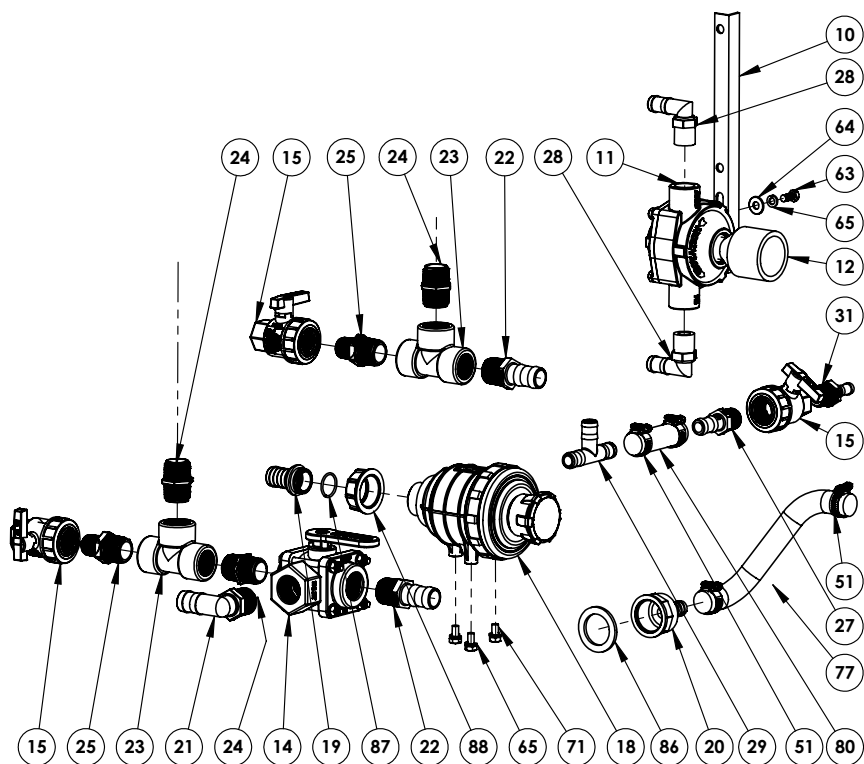
OVERVIEW



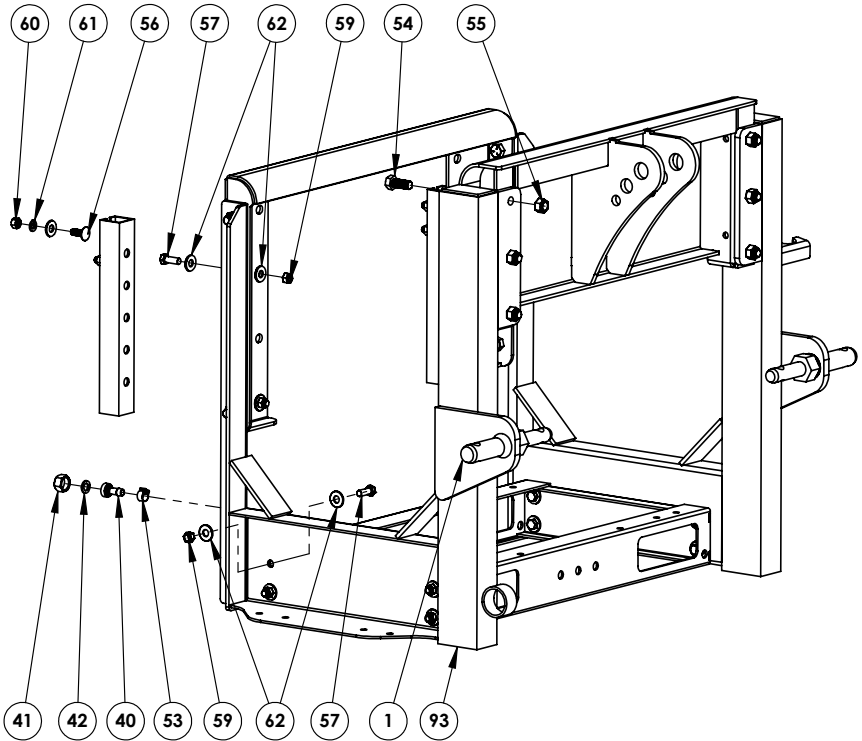
DETAIL VIEW A



DETAIL VIEW B



DETAIL VIEW C



PARTS LIST

ITEM NO.	PART #	DESCRIPTION	QTY.
1	CV162IP	3 POINT IMP PIN CATEGORY 1 & 2	2
2	AZKF0012	HOSE WRAP FOR 3PT SPRAYERS	2
3	CFLP16HV	16 INCH HYPRO LID HINGED	1
4	CA300128	TANK FILTER 16 INCH-SHALLOW	1
5	CG839113021	4" THREADED VENTED TANK LID	1
6	CFXES04	RC-1B SYSTEM WITH 2502B-3 SOLENOID VALVE	1
7	CFXES04 - CU	CFXES04 - CONTROL UNIT	1
8	CFXES04 - WH	CFXES04 - WIRE HARNESS	1
9	CVSTAL26SH	SPRAY GUN 9 INCH BARREL	1
10	CPPDR001	TORQUE BAR AND CHAIN ASSEMBLY	1
11	APD19G006R	6 ROLLER CI PUMP	1
12	CPPDR002	COUPLER 1.375 X .625 PTO ADAPTOR	1
13	CA502020	AGITATOR	1
14	CBV100SL	1 SIDE LOAD 3 WAY VALVE	1
15	CVPBV234	3/4 FPT UNION VALVE	3
16	CVRV20660158	3/4 PRESSURE RELIEF VALVE	1
17	CVS34BZO	1/4 FNPT X 1/4 MNPT LEVER BALL VALVE	1
18	CA3132453	AUTOMATIC FILTER 1-1/4	1
19	CA106525	Hosetail Straight D.25 for Fly-Nut 1 1/4 inch	1
20	CA100519	1-1/4 BSP X 3/4 HOSE BARB	1
21	CFPE05M05B	1 MNPT X 1 HOSE BARB 90	1
22	CFPS05M05B	1 HOSE BARB	2
23	CBTEE100	1 FNPT PIPE TEE	2
24	CFPN05M05M	1 SHORT POLY NIPPLE	3
25	CBRN100-075	1 X 3/4 POLY REDUCING NIPPLE	2
26	CBCR075	3/4 POLY PIPE CROSS	1
27	CFPS04M04B	3/4 MNPT TO 3/4 HOSE SHANK	2
28	CFPE04M04B	3/4 MNPT X 3/4 HOSE BARB 90	4
29	CFPT04B	3/4 HOSE BARB TEE	2
30	CFPN04M04M	3/4 SHORT NIPPLE	1
31	CFPS04M02B	3/4 MPT X 1/2 HOSE BARB	1
32	CV3RB3414	3/4 X 1/4 REDUCER BUSHING	1
33	CFPS02M02B	1/2 MNPT X 1/2 HOSE BARB	1
34	CBHB05090	1/2 MNPT X 1/2 HOSE SHANK 90	4
35	CBEL05090	1/2 FNPT POLY PIPE ELBOW 90	1
36	CBHB05003890	1/2 MNPT X 3/8 HOSE BARB 90	3
37	CVSW038	3/8 FNPT X 3/8 MNPT SWIVEL	1
38	CFPS01M01B	3/8 MPT X 3/8 HOSE BARB STRAIGHT	1
39	CFBE00M01BA	.25MPT X .375 HB 45 BRASS ELBOW	1
40	CFBU01B02M	3/8 UNION NIPPLE 1/2 MALE THREAD	3
41	CFBU02C	BRASS CAP-GH	3
42	CFBU02G	RUBBER WASHER FOR BRASS CAP	3
43	CXLT0010	3 POINT SPRAY TANK DECAL	1
44	CXLT0011	3 POINT FLUSH TANK DECAL	1

PARTS LIST

ITEM NO.	PART #	DESCRIPTION	QTY.
45	CVGC100	WAND CLIP	2
46	CPCG15	3/4 PRESS FIT HOSE GROMMET	1
47	CPSB01	10MM SITE GLASS BALL LEVEL INDICATOR	2
48	CXSC0002	CABLE TIE 8"	3
49	CXT0001	CABLE TIE 14"	3
50	CFCW003	CLAMP FOR 1" HOSE	4
51	CFCW001	CLAMP FOR 3/4" HOSE	13
52	CFCC003	CLAMP FOR 1/2" HOSE	2
53	CFCC002	CLAMP FOR 3/8" HOSE	12
54	CHBZ050625	1/2" X 1 1/4" BOLT	10
55	CHNZN0525	1/2" NYLOCK NUT	10
56	CHBZ030525C	3/8" X 1 CARRIAGE BOLT	4
57	CHBZ030525	3/8" X 1" BOLT	12
58	CHBZ030425	3/8 X 3/4 BOLT	2
59	CHNZN0325	3/8" NYLOCK NUT	12
60	CHNZH0325	3/8" NUT	4
61	CHWZL035	3/8 LOCK WASHER	6
62	CHWZF035	3/8" FLAT WASHER	30
63	CHBZ020325	5-16 X .75 HEX BOLT	2
64	CHWZF025	5/16 FLAT WASHER	2
65	CHWZL025	5-16 LOCK WASHER	5
66	CHBZ010325	1/4 X 3/4 BOLT	2
67	CHWZF015	1/4" FLAT WASHER	2
68	CHWZL015	1/4" LOCK WASHER	2
69	CHMS900213	10-32 - 1/2 PAN HEAD SCREW	2
70	CHNSN903	10-32 18-8 SS LOCKNUT	2
71	CHBZ8014088125	8 X 1.25 X 20MM HEX HEAD BOLT	3
72	CLUESB020005	1 EPDM HOSE	1
73	CLUESB020005	1 EPDM HOSE	1
74	CLUESB020004	3/4 EPDM HOSE	1
75	CLUESB020004	3/4 EPDM HOSE	1
76	CLUESB020004	3/4 EPDM HOSE	1
77	CLUESB020004	3/4 EPDM Hose	1
78	CLUESB020004	3/4 EPDM HOSE	1
79	CLUESB020004	3/4 EPDM HOSE	1
80	CLUESB020004	3/4 EPDM HOSE	1
81	CLUESB020002	1/2 EPDM HOSE	1
82	CLUESB020001	3/8 EPDM HOSE	1
83	CLUESB020001	3/8 EPDM HOSE	3
84	CLUVGC02502	SITE GAUGE HOSE	1
85	CLUVGC02502	SITE GAUGE HOSE	1
86	CAG0005	1-1/4" Flat seal for wall fittings	1
87	CAG10051	O Ring EPDM	1
88	CA2002050	Fly-Nut 1-1/4	1

PARTS LIST

ITEM NO.	PART #	DESCRIPTION	QTY.
89	AMTHSL100FG	100 Gal 3 Point Spray Tank	1
90	AMTHSL200FG	200 Gal 3 Point Spray Tank	1
91	AMSLRT11FG	Rinse Tank for 100 Gal 3 Pt	1
92	AMSLRT18FG	Rinse Tank for 200 Gal 3 Pt	1
93	AZFP1003	100 Gal 3 Point Frame	1
94	AZFP2003	200 Gal 3 Point Frame	1



Enduraplas®

1 (877) 877-4370
cs@enduraplas.com
www.enduraplas.com

113 1st Street, Neche
ND 58265, USA

Order Genuine Enduraplas Parts & Accessories:

parts.enduraplas.com



Watch Instruction Videos:

www.youtube.com/enduraplas

Discover More Helpful Tips:

blog.enduraplas.com/spraying