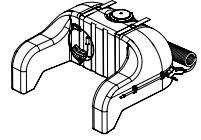
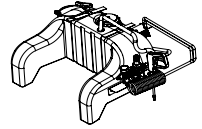


# **GOLD SERIES**




# **PRO SERIES**



## **OWNER'S MANUAL**

**Product Codes:**  
SA025212V, SAP025412V

# CONTENTS

INTRODUCTION	3
<hr/>	
WARNINGS 	4 - 5
<hr/>	
GETTING STARTED	6 - 11
<hr/>	
CALIBRATING	12 - 13
<hr/>	
MAINTAINING	14 - 15
<hr/>	
CLEANING	16 - 17
<hr/>	
STORING/WINTERIZING	18 - 19
<hr/>	
TROUBLESHOOTING	20 - 21
<hr/>	
WARRANTY	22 - 25
<hr/>	
PARTS BREAKDOWNS - GOLD SERIES	26 - 27
<hr/>	
PARTS BREAKDOWNS - PRO SERIES	28 - 31

# INTRODUCTION

**Congratulations!** You now own an Enduraplas sprayer. Durable design and construction assure you a lifetime of extreme performance. No sprayer is tougher. No sprayer will last longer.

Take a look through this owner's manual to learn how the pros use their Enduraplas sprayer.



**Watch Instruction Videos:**  
[www.youtube.com/enduraplas](http://www.youtube.com/enduraplas)

**Discover More Helpful Tips:**  
[blog.enduraplas.com/spraying](http://blog.enduraplas.com/spraying)

# WARNINGS

1. When connecting this sprayer to your ATV (or vehicle), ensure that you have read the ATV's Owner's Manual and that you comply with all the weight restrictions as specified by the ATV's manufacturer, as overloading can cause injury or death. Remember that 1 gallon of water weighs 8.33 pounds.
2. To ensure your own safety and that of others, you must comply with all relevant environmental, work place health, safety legislation and codes of practice.
3. Select and wear appropriate Personal Protection Equipment in accordance with the label of the product you intend to use.
4. Care should be taken when spraying in windy conditions as spray drift may contaminate the air and may affect the operator or damage adjacent non-target vegetation. It is recommended that a speed of 6mph is not exceeded.
5. Once the spraying operation has been completed, decontaminate the spray tank and spray accessories. Dispose of tank rinsing's in compliance with current environmental, work place health and safety regulations.
6. Personal Protection Equipment must still be worn while decontaminating your sprayer as per warning 3 above.
7. Improper or careless use of this sprayer can cause serious injury. Minors should never be allowed to use this sprayer. This sprayer should not be used when bystanders or animals are in the area. This sprayer should never be used while children are in the area.
8. Never leave the sprayer unattended without turning off the pump, relieving the line pressure, and flushing the sprayer of any harmful chemicals.
9. You must be in good mental health to operate this sprayer and not be under the influence of alcohol or any drugs that could impair your vision, physical strength, dexterity, judgment, or other mental capacity.

10. No modifications and/or alterations may be made to this sprayer. Any such modifications not only void the sprayer warranty but can make the unit dangerous to anyone operating the pump.
11. Always inspect hoses and piping to avoid burst injuries.



**Watch Instruction Videos:**  
[www.youtube.com/enduraplas](http://www.youtube.com/enduraplas)

**Discover More Helpful Tips:**  
[blog.enduraplas.com/spraying](http://blog.enduraplas.com/spraying)

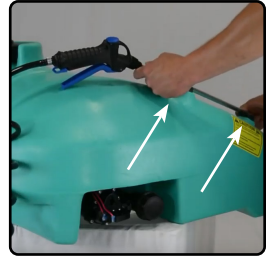
## GETTING STARTED

### Gold Series

1) Unpack hardware and other accessories.



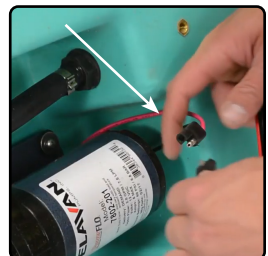
2) Clip the wand in place.



3) Then hook up the hose to the pump and secure it with the slide keeper.



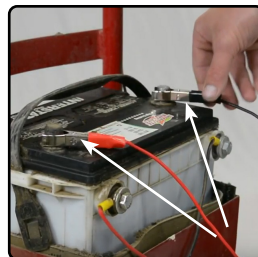
4) Hook the wire harness to the bullet connector at the pump.



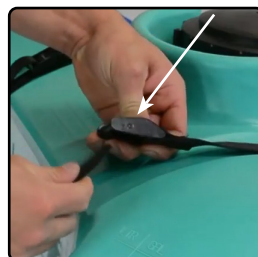
## GETTING STARTED

### Gold Series

5) Hook up the other end to the battery.



6) Using the black strap supplied secure the tank to your ATV.



7) Fill the tank with water.



## GETTING STARTED

### Pro Series

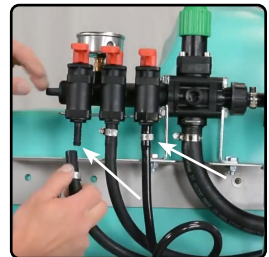
1) Unpack hardware and other accessories.



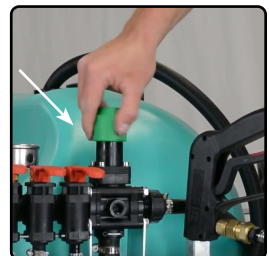
2) Mount the boneless nozzle to the inserts under the back of the tank.



3) Run the hose around the tank and plumb them to the pressure regulator securing them with the hose clamps.



4) Before running your pump, make sure the regulator is fully open to avoid premature wear or damage to the pump.



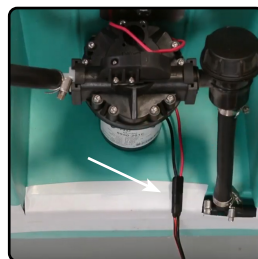


**GETTING STARTED****Pro Series**

5) Fill the tank with water.



6) Connect the wire harness to the bullet connector at the pump.



7) Hook up the other end to the battery.



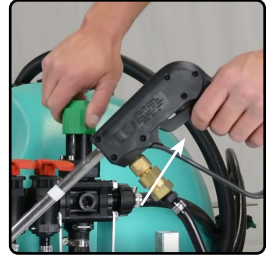
8) Secure it to the back of your ATV with the provided straps.



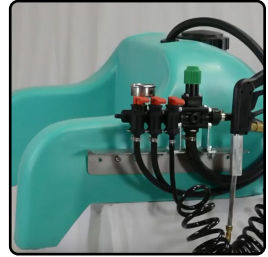
## GETTING STARTED

### Pro Series

9) Squeeze the handgun trigger to start discharge and then adjust pressure to your desired setting.



10) To maximize the life of your pump maintain pressure settings that do not cause the pump to pulsate whenever possible.



## Connecting a Spray Boom

Please refer to the selected spray boom owner's manual that came with the boom.



**Watch Instruction Videos:**  
[www.youtube.com/enduraplas](http://www.youtube.com/enduraplas)

**Discover More Helpful Tips:**  
[blog.enduraplas.com/spraying](http://blog.enduraplas.com/spraying)

# CALIBRATING

## 1) Measure Nozzle Spacing

Measure the distance between each nozzle to determine the length of your travel distance.

**Nozzle spacing = Distance to travel**

(16" = 255') (18" = 227') (20" = 204')

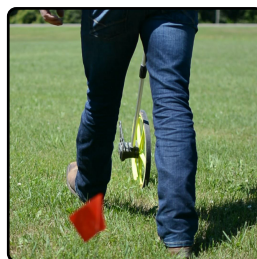
(22" = 185') (24" = 170')

\*Distances shown with 110° nozzles



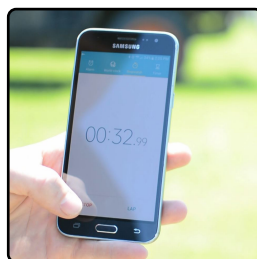
## 2) Measure Appropriate Travel Distance

Mark the distance with flags or between fence posts. A tape measure capable of measuring farther than 200 ft. will make this step easier.



## 3) Drive Measured Distance - Timed

Driving the sprayer at the intended spraying speed, time how long it takes to travel between the marked distance. Repeat this procedure and average the two measurements.



## 4) Set Correct Spraying Pressure

With the sprayer parked and the pump running, set the ideal or intended pressure.





**For Your Safety, Watch Video:**  
[blog.enduraplas.com/spraying](http://blog.enduraplas.com/spraying)

### 5) Catch Output From Each Nozzle

Catch the output in a container (marked in ounces) for the same number of seconds it took to drive in step 3. Calculate the 'average nozzle output' by adding the individual outputs and then dividing by the number of nozzles tested.



### 6) Clean Nozzles - If Needed

If any one nozzle's output deviates from the manufacturers' guidelines by more than 10%, the nozzle should be replaced or cleaned. A toothbrush works perfect.



### 7) Analyze Results

The ounces captured per nozzle equals the gallons-per-acre application rate.  
 (eg: 16 ounces = 16 gallons-per-acre)



### 8) Compare Recommended Rate

If the gallons-per-acre rate is not within 5% of the intended rate, you will have to adjust the pressure you spray at or the speed you travel. You will have to repeat steps 3 - 7.



# MAINTAINING

Keeping your sprayer in good condition will help you lengthen the life of the sprayer. Everyone knows a well maintained piece of equipment ensures a longer life span. Sprayer maintenance can seem a huge task if you don't have the right tools.

## **Cleaning Your Tank, Hoses & Fittings**

Turn the page to see how the pros clean the tank on their sprayer equipment.



**Watch Instruction Videos:**  
[www.youtube.com/enduraplas](http://www.youtube.com/enduraplas)

**Discover More Helpful Tips:**  
[blog.enduraplas.com/spraying](http://blog.enduraplas.com/spraying)



# CLEANING

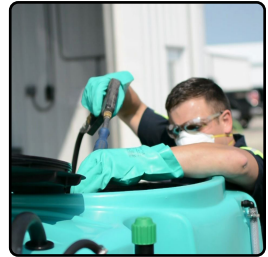
## 1) Drain Tank and Rinse

Rinse all liquid out of the tank. When flushing the sprayer, pay attention to where the chemical will run. Always clean in an area that will not contaminate water supplies, streams or crops.



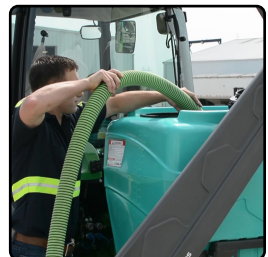
## 2) Pressure Wash Inside Tank

After draining the tank, rinse the inside by spraying clean water with a pressure washer.



## 3) Add Clean Water

It's now time to shut the pump off and fill the tank with clean water.



## 4) Flush Clean Water Through System

Turn the pump on and spray the clean water through the boom and hand wand.







**For Your Safety, Watch Video:**  
[blog.enduraplas.com/spraying](http://blog.enduraplas.com/spraying)

### 5) Add Cleaning Solution and Water

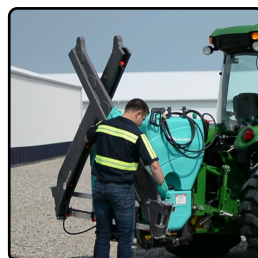
Add the recommended cleaning solution to the tank of water. To mix, run the agitator inside the sprayer.

Operate for 5 - 10 minutes to mix the cleaning solution with the water.



### 6) Let Sprayer Sit For 8 Hours

With the water and cleaning solution left in the sprayer tank, let it sit for about eight hours. This will allow the solution to remove any herbicide from the residues inside the tank.



### 7) Clean Nozzles, Screens, and Filters

It's now time to rinse all nozzles, screens and filters. To clean thoroughly, put them in a bucket of cleaning agent and water.



### 8) Rinse Entire System with Water

When all nozzles, etc. are back in place, give the entire system a complete rinse to ensure all cleaning solution is flushed through the unit.



# STORING/WINTERIZING

## 1) Drain Tank

Fill the tank with clean water, start the pump and open all spray ends. If you have a spray gun or boom, make sure you spray until clean water is coming through.



## 2) Blow out Plumbing Lines

Using compressed air, blow out the hose lines to remove all water from the system.



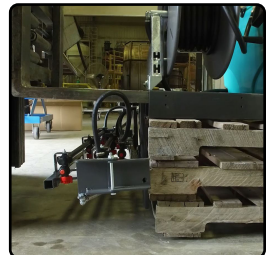
## 3) Flush with Anti-freeze

Pour a small amount of anti-freeze into the tank and run the pump until there is no more of this colored liquid coming through the spray ends.



## 4) Store Sprayer Inside

Turn off the sprayer ends so the remaining anti-freeze does not leak out. If you have a boom attachment that hangs lower than the sprayer, we would suggest you set the sprayer on a few pallets.



## Winterizing a Spray Boom

Please refer to the selected spray boom owner's manual that came with the boom.



**Watch Instruction Videos:**  
[www.youtube.com/enduraplas](http://www.youtube.com/enduraplas)

**Discover More Helpful Tips:**  
[blog.enduraplas.com/spraying](http://blog.enduraplas.com/spraying)

# TROUBLESHOOTING

CONDITION	CAUSE	REMEDY
Pump will not prime	<ol style="list-style-type: none"> <li>1) Insufficient motor RPM</li> <li>2) Air leak on suction plumbing</li> <li>3) Blocked/Restricted intake hose</li> <li>4) Filter cap disengaged</li> <li>5) Filter gasket damaged/missing</li> </ol>	<ol style="list-style-type: none"> <li>1) Increase motor RPM until pump primes</li> <li>2) Tighten/replace fittings &amp; hose clamps. Verify suction hoses are in good condition</li> <li>3) Remove blockage from suction line, ensure line is not kinked</li> <li>4) Lock filter cap into position</li> <li>5) Replace filter gasket</li> </ol>
Pressure drops/ fluctuates during standard operation	<ol style="list-style-type: none"> <li>1) Restriction on suction line</li> <li>2) Pump sucking air</li> <li>3) Plugged filter</li> <li>4) Damaged regulator</li> </ol>	<ol style="list-style-type: none"> <li>1) Inspect tank and suction lines and remove restriction</li> <li>2) Tighten fittings</li> <li>3) Remove and clean filter mesh and housing</li> <li>4) Remove regulator stem and inspect for broken parts/pieces</li> </ol>
Pressure gauge not registering	<ol style="list-style-type: none"> <li>1) Plugged with debris</li> </ol>	<ol style="list-style-type: none"> <li>1) Unthread, check and clean pressure gauge</li> </ol>

CONDITION	CAUSE	REMEDY
Hand gun loses pressure	<ol style="list-style-type: none"> <li>1) Debris in hose or nozzle</li> <li>2) Pump losing prime</li> <li>3) Pump pressure dropping/fluctuating</li> </ol>	<ol style="list-style-type: none"> <li>1) Unthread nozzle tip and clean</li> <li>2) See Remedy for 'Pump will not prime or loses prime'</li> <li>3) See Remedy for 'Pressure drops/fluctuates during standard operation'</li> </ol>



**Watch Instruction Videos:**  
[www.youtube.com/enduraplas](http://www.youtube.com/enduraplas)

**Discover More Helpful Tips:**  
[blog.enduraplas.com/spraying](http://blog.enduraplas.com/spraying)

# WARRANTY

1. Poly Tank Limited Warranty - Subject to other terms in this Limited Warranty, Manufacturer warrants to the original end user that this Tank will be free from material defects caused during the manufacturing process for a period of 5 years from the Purchase Date provided such warranty to the original end user shall be extended to 10 years from the Purchase Date if the original end user registers the Tank with Manufacturer within 30 days of the Purchase Date. To register the Limited Warranty, registration must be completed in accordance with the requirements set forth at [enduraplaswarranty.com](http://enduraplaswarranty.com)

Other Products and Parts Limited Warranty - Subject to other terms in this Limited Warranty, Manufacturer warrants to the original end user that products and parts manufactured by Manufacturer (other than tanks) will be free from material defects caused during the manufacturing process for a period of 1 year from the Purchase Date unless otherwise expressly stated in writing by Manufacturer that an extended warranty applies.

2. Other Warranties Disclaimed and Excluded

THERE ARE NO WARRANTIES, EXPRESS OR IMPLIED, WHICH EXTEND BEYOND THE LIMITED WARRANTY HEREIN STATED, AND MANUFACTURER EXPLICITLY DISCLAIMS AND EXCLUDES ANY AND ALL OTHER WARRANTIES INCLUDING BUT NOT LIMITED TO WARRANTIES OF MERCHANTABILITY, FITNESS FOR PARTICULAR PURPOSE, CUSTOM OR USAGE OF TRADE, AND COURSE OF DEALING. NO AGENT, EMPLOYEE OR REPRESENTATIVE OF MANUFACTURER HAS AUTHORITY TO BIND MANUFACTURER TO ANY REPRESENTATION OR WARRANTY EXCEPT AS STATED IN THIS LIMITED WARRANTY.

3. Limitation of Liability under the Limited Warranty - In addition to those warranties disclaimed and excluded in clause 2 above, Manufacturer expressly further limits its warranty and liability under the Limited Warranty as set forth below in this clause 3.
- 3.1. The liability of Manufacturer under this Limited Warranty is excluded to the extent that any defect has been caused or contributed to by:
- a) any accident, contamination, tampering, willful damage, abuse, modification, improper storage, improper use (including but without limitation the storage of material) or negligent act of, or omission by, any person other than Manufacturer;
  - b) the improper installation of the Goods, or deterioration of the base on which any of the Goods rest or are mounted to;
  - c) any damage to the Goods caused by storm, wash away, landslide, mudslide, lightning, or any other natural phenomenon, vermin or other pests, and any undermining of the base of the Tank through any cause whatsoever;
  - d) the repositioning of the Goods from their original installation;
  - e) weathering or degradation of the Goods due to extreme climatic conditions;
  - f) improper installation of extra fittings;
  - g) any staining or discoloration, including from trees or ash fall-out from fires or other causes;
  - h) a Tank not being placed on a base that is free of any protruding objects of any kind;
  - i) a Tank being used for any purpose other than the storage of suitable liquids at the ambient temperatures.

3.2. Without limiting the generality of clause 3.1:

- a) Manufacturer will not be liable for any personal injury, indirect or incidental damages, consequential losses, loss of liquids, loss of profit or any like claims whatsoever arising from any use of, or incidental to, or repairs to any of the Goods by a party other than Manufacturer;
- b) to the extent that any component or material (including, but without limitation the polyethylene) used in the manufacture of any of the Goods is supplied and/or manufactured by a third party, the liability of Manufacturer is limited to Manufacturer's right of redress (if any) against the third-party supplier/manufacturer;
- c) Tanks feature a vented lid at the time of manufacture. Any subsequent pressurization of the Tank by removing the vent, sealing the vent, or otherwise will cause this Limited Warranty as to such Tank to be null and void.
- d) The liability of Manufacturer under this Limited Warranty is limited to, at Manufacturer's discretion:
- e) providing a replacement Good (including shipping but excluding other replacement costs);
- f) refunding an amount equal to a sum equal to the current Retail price divided by the months in the warranty, multiplied by the months remaining in the warranty period;
- g) repairing the Good at no cost.

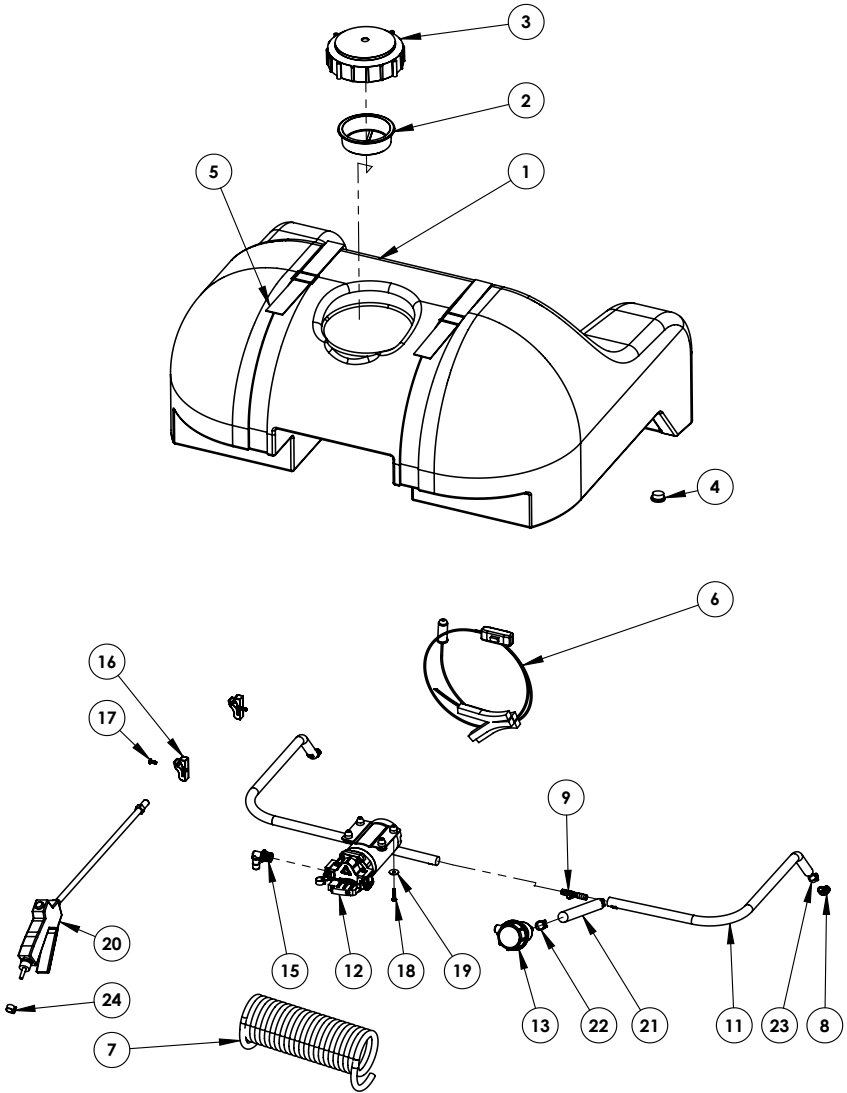
4. Proof of Purchase - The original invoice or other similar proof of purchase of the applicable must be provided by Purchaser to Manufacturer when making a claim under this Limited Warranty. Warranty claims must be received in writing by Manufacturer within the Limited Warranty period.



5. Claims and Questions - If you have questions about this Limited Warranty or to make a warranty claim, contact Manufacturer at: [customercare@enduraplas.com](mailto:customercare@enduraplas.com)
6. Definitions - For this Limited Warranty the following definitions apply:
  - a) Manufacturer means Enduraplas LLC.
  - b) Purchase Date means the date upon which the applicable goods were purchased by the original end user.
  - c) Purchase Price means the actual price paid for the Tank by the original Purchaser.
  - d) Tank means the storage Tank manufactured by Manufacturer and purchased by the original end user Purchaser being the subject matter of the Limited Warranty.
  - e) Good(s) mean Tanks and/or other products or parts manufactured by Enduraplas LLC.
  - f) Limited Warranty means this written Limited Warranty.
7. State Law - Some states do not allow the exclusion or limitation of incidental or consequential damages, so the above limitation and exclusion may not apply to certain parties. Some states do not allow limitation on how long an implied warranty lasts, so the above limitation may not apply to certain parties. This limited warranty gives specific legal rights and other rights, which vary from state to state, may also apply.
8. Governing Law - This Limited Warranty will be governed by the laws of the State of Minnesota, without giving effect to any choice of law rule that would cause the application of the laws of any other jurisdiction

# OVERVIEW

GOLD SERIES ATV SPRAYER

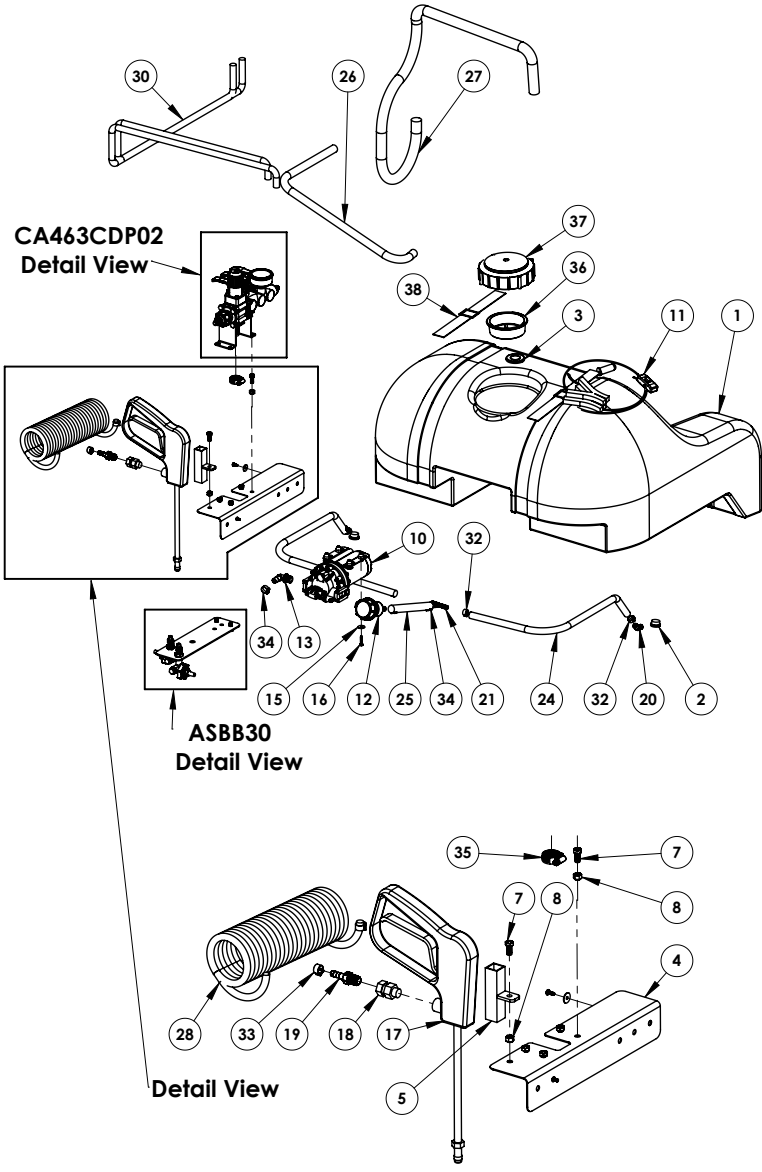


# PARTS LIST

ITEM NO.	QTY.	PART #	Description
1	1	AMTHSA025FG	25Gal ATV Tank Only
2	1	CG83918303	6 IN Strainer Basket
3	1	CVTL06	6" vented tank lid
4	2	CPFPN01	3/4 drain plug
5	2	CHZN001	1 IN Black Nylon Strap w/ Cam Buckle
6	1	ASWC01	Wire Harness Kit
7	1	CLUPCB01	5 Meters Coiled Hose
8	2	CFBE00M01BA	.25MPT x .375 HB 45 Brass Elbow
9	1	CFPT02B01B	.5 HB x 3-8 HB Tee
10	1	CLUESB020001	.375 EPDM Hose
11	1	CLUESB020001	.375 EPDM Hose
12	1	APD02G060P	2GPM 60PSI Pump
13	1	CA309A53	1 & 2 GPM Black Filter
15	1	CPPDD004	7800 Series .375 Elbow 90
16	2	CVGC100	Wand Clip
17	2	CHMS900213	10-32 - 1/2 Pan head screw
18	4	CHMS900523	10-24 x 1 PHMSPH SS Screw
19	4	CHWSK903	10 X .75 Fender Washer SS
20	1	CVSTAL24	18 Pistol Spray Gun
21	1	CLUESB020002	.5 EPDM Hose
22	2	CFCC003	CLAMP FOR 1/2 HOSE
23	4	CFCC002	CLAMP FOR 3/8 HOSE
24	2	CFCC001	12-8 Clamp Cobra for coiled hose

# OVERVIEW

PRO SERIES ATV SPRAYER



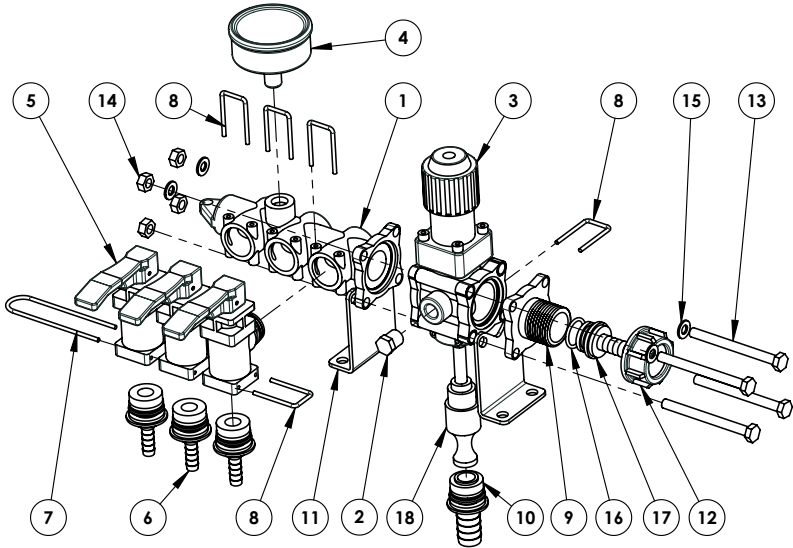
# DETAIL VIEW A

ITEM NO.	PART #	Description	QTY.
1	AMTHSA025FG	25Gal ATV Tank Only	1
2	CPFPN01	3/4 drain plug	2
3	CPFG15	3/4 Press fit hose grommet	1
4	AZKS0002	S.S. MOUNT PLATE FOR PRO SERIES VALVES	1
5	AZKS0011	Pro Wand Holster PROHSTR	1
6	CA463CDP02	Pro Valve Bank	1
7	CHBZ020325	5-16 x .75 Hex Bolt	5
8	CHNZN0225	5/16 Nylock nut	5
10	APD04G060P	4GPM PSI QA Pump	1
11	ASWC01	Wire Harness Kit	1
12	CA309B53	Suction Filter Quick Coupler	1
13	CPPDD006	5900 Series 1/2" Elbow 90	1
14	CHMS900213	10-32 - 1/2 Pan head screw	2
15	CHWSK903	10 X .75 Fender Washer SS	6
16	CHMS900523	10-24 x 1 PHMSPH SS Screw	4
17	CVSTAL26SH	SPRAY GUN 9 INCH BARREL	1
18	CVSW038	3/8 FPT X 3/8 MPT SWIVEL	1
19	CFPS01M01B	3/8" MPT x 3/8" Hose Barb Straight	1
20	CFBE00M01BA	.25MPT x .375 HB 45 Brass Elbow	2
21	CFPT02B01B	.5 HB x 3-8 HB Tee	1
22	CLUESB020001	.375 EPDM Hose	1
24	CLUESB020001	.375 EPDM Hose	1
25	CLUESB020002	.5 EPDM Hose	1
26	CLUESB020002	.5 EPDM Hose-pump to supply pro valve	1
27	CLUESB020004	.75 EPDM Hose return pro valve to tank	1
28	CLUPCB01	5 Meters Coiled Hose	1
30	CLUESB020001	.375 EPDM Hose from Pro Valve to BN30	1
31	CLUESB020001	.375 EPDM Hose from Pro Valve to BN30	1
32	CFCC002	CLAMP FOR 3/8 HOSE	4
33	CFCC001	12-8 Clamp Cobra for coiled hose	2
34	CFCC003	CLAMP FOR 1/2 HOSE	4
35	CFCW001	Clamp for 3/4 hose	1
36	CG83918303	6 IN Strainer Basket	1
37	CVTL06	6" vented tank lid	1
38	CHZN001	1 IN Black Nylon Strap w/ Cam Buckle	2

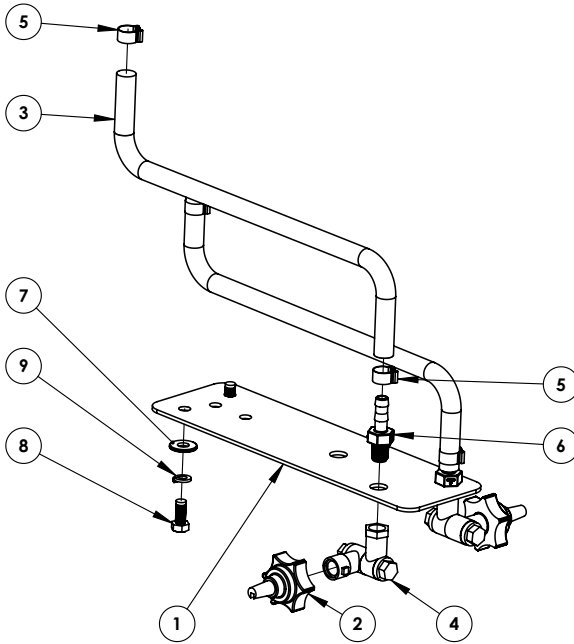
# PARTS LIST

ITEM NO.	PART #	DESCRIPTION	QTY.
1	CA461031.010	Manifold Body for 3-way outlet	1
2	CFBP00M	1/4 NPT Hex Brass Plug	1
3	CA463080	Pressure Relief Control Valve asm.	1
4	CV2241GXB100	Pressure gauge 100psi Glycerin filled	1
5	CA464402.151	Single Auxiliary Cock for Valve	3
6	CA463001.A10	3/8" Hose barb for valve 463	3
7	CA10012	Large Fork Pin	1
8	CA10002	Small Fork Pin	5
9	CA463000.040	1 inch Male BSP adapter	1
10	CA463080.A19	3/4" Hose barb for valve 463	1
11	CA463911.100	Mounting Bracket	4
12	CA2002040	Fly Nut 1 inch	1
13	Pro Valve Bolt	Bolt for Pro Valve Bank	4
14	3 Pt Lock Nut	Lock Nut on Pro Valve Bank	4
15	Pro Valve Washer	Waher on Pro Valve Bank	4
16	CAG10041	Gasket 20mm, hosetail	1
17	CA106413	Hosetail - 1/2 diameter for Fly nut 1 inch	1
18	CA463080510	Valve Stem Kit for 463080	1

PRO SERIES ATV SPRAYER



# DETAIL VIEW ASBB30



ITEM NO.	PART #	Description	QTY.
1	AXKS0003	Pro Boomless Nozzle Bracket-Straight	1
2	CNBC010	FC Boomextender 1.0 GPM Green	2
3	CLUESB020001	3/8 EPDM Hose 3'	2
4	CA404072N	1/4"NPT X QA Swivel	2
5	CFCC002	CLAMP FOR 3/8 HOSE	4
6	CFPS00M01B	.25 MPT x .375 HB	2
7	CHWZF025	5/16 Flat washer	2
8	CHBZ020325	5-16 x .75 Hex Bolt	2
9	CHWZL025	5-16 Lock Washer	2

# ACTIVATE YOUR 10-YEAR WARRANTY

## How to Activate

To double your 5-year tank warranty, visit [enduraplaswarranty.com](http://enduraplaswarranty.com) and register this product.



**Watch Instruction Videos:**  
[www.youtube.com/enduraplas](http://www.youtube.com/enduraplas)

**Discover More Helpful Tips:**  
[blog.enduraplas.com/spraying](http://blog.enduraplas.com/spraying)



# STAY CONNECTED

Want to be kept up-to-date on the latest news and information from Enduraplas? Enduraplas has several ways to get easy access to news alerts and instant updates on what's happening in the world of Enduraplas. Join the Enduraplas Community and connect with other Enduraplas fans, participate in giveaways, see videos of Enduraplas products in action, give us input on Enduraplas products, share your Enduraplas photos, and much more.



**FIND US ON FACEBOOK**

@enduraplas



**FIND US ON INSTAGRAM**

@enduraplas



**WATCH US ON YOUTUBE**

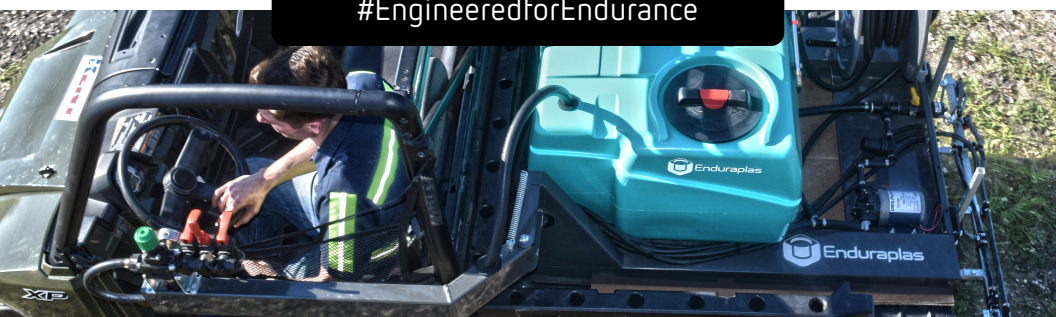
[YouTube.com/enduraplas](https://www.youtube.com/enduraplas)



**FIND US ON TWITTER**

@enduraplas

#EngineeredforEndurance





**Enduraplas®**

**Enduraplas®**

1 (877) 877-4370

[customercare@enduraplas.com](mailto:customercare@enduraplas.com)

[www.enduraplas.com](http://www.enduraplas.com)

113 1st Street, Nече

ND 58265, USA



**Watch Instruction Videos:**

[www.youtube.com/enduraplas](http://www.youtube.com/enduraplas)

**Discover More Helpful Tips:**

[blog.enduraplas.com/spraying](http://blog.enduraplas.com/spraying)