

FIELD BOSS™

OWNER'S MANUAL



Product Codes:

XSTREAM

SFB060FG290EX
SFB100FG290EX
SFB060FG290EX-ES
SFB100FG290EX-ES

365

SFB060FG225GH
SFB100FG225GH
SFB060FG225GH-ES
SFB100FG225GH-ES

ECOLITE


SFB060FG712V
SFB100FG712V
SFB060FG712V-ES
SFB100FG712V-ES

Version 2.0

Copyright © Enduraplas. All Rights Reserved.



CONTENTS

INTRODUCTION	4
<hr/>	
WARNINGS 	5 & 6
<hr/>	
CONNECTING THE RETENTION SPRING	7
<hr/>	
INSTALLING D-RING TIE-DOWN SYSTEM	8
<hr/>	
SETTING UP 365/XSTREAM PUMP	9
<hr/>	
SETTING UP ECOLITE PUMP	10
<hr/>	
SETTING UP SPRAYER	11 - 13
<hr/>	
MOUNTING YOUR BOOM	14 - 16
<hr/>	
MOUNTING 30' BOOM EXTENSION	17
<hr/>	
MOUNTING BOOMLESS NOZZLE	18
<hr/>	
OPTIONAL ELECTRIC SOLENOID KIT	19 - 21

CONTENTS

CALIBRATING	22 & 23
MAINTAINING	24 & 25
CLEANING	26 & 27
WINTERIZING	28 & 29
TROUBLESHOOTING	30 & 31
WARRANTY	32 - 36
FIELD BOSS XSTREAM PARTS BREAK-DOWNS	37 - 54
FIELD BOSS 365 PARTS BREAKDOWNS	55 - 70
FIELD BOSS ECOLITE PARTS BREAK-DOWNS	71 - 82

INTRODUCTION

Congratulations! You now own an Enduraplas sprayer. Durable design and construction assure you a lifetime of extreme performance. No sprayer is tougher. No sprayer will last longer.

Take a look through this owner's manual to learn how the pros use their Enduraplas sprayer.

Order Genuine Enduraplas Parts & Accessories:
parts.enduraplas.com



Watch Instruction Videos:
www.youtube.com/enduraplas

Discover More Helpful Tips:
blog.enduraplas.com/spraying

WARNINGS

1. When connecting this sprayer to your UTV (or vehicle), ensure that you have read the UTV's Owner's Manual and that you comply with all the weight restrictions as specified by the UTV's manufacturer, as overloading can cause injury or death. Remember that 1 gallon of water weighs 8.33 pounds.
2. To ensure your own safety and that of others, you must comply with all relevant environmental, work place health, safety legislation and codes of practice.
3. Select and wear appropriate Personal Protection Equipment in accordance with the label of the product you intend to use.
4. Care should be taken when spraying in windy conditions as spray drift may contaminate the air and may affect the operator or damage adjacent non-target vegetation. It is recommended that a speed of 6mph is not exceeded.
5. Once the spraying operation has been completed, decontaminate the spray tank and spray accessories. Dispose of tank rinsing's in compliance with current environmental, work place health and safety regulations.
6. Personal Protection Equipment must still be worn while decontaminating your sprayer as per warning 3 above.
7. Improper or careless use of this sprayer can cause serious injury. Minors should never be allowed to use this sprayer. This sprayer should not be used when bystanders or animals are in the area. This sprayer should never be used while children are in the area.
8. Never leave the sprayer unattended without turning off the pump, relieving the line pressure, and flushing the sprayer of any harmful chemicals.
9. You must be in good mental health to operate this sprayer and not be under the influence of alcohol or any drugs

WARNINGS

that could impair your vision, physical strength, dexterity, judgment, or other mental capacity.

10. Be alert and never touch any part of the engine exhaust system (muffler, shield, header pipes, etc.) while the engine is running. Always allow enough time, after stopping the unit, for proper cooling of the muffler and surrounding parts.
11. Refuel engine with care. Gasoline is flammable, and gasoline vapor can explode. Refuel in a well-ventilated area, with the engine stopped.
12. Never run the pump in a closed or confined area. Exhaust gas contains carbon monoxide which is poisonous to humans. Avoid inhalation of exhaust gas.
13. No modifications and/or alterations may be made to this sprayer. Any such modifications not only void the sprayer warranty but can make the unit dangerous to anyone operating the pump.
14. Always inspect hoses and piping to avoid burst injuries.

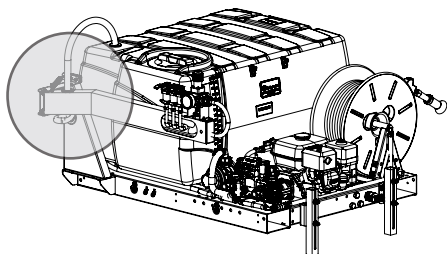


Watch Instruction Videos:
www.youtube.com/enduraplas

Discover More Helpful Tips:
blog.enduraplas.com/spraying

GETTING STARTED

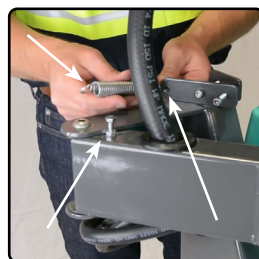
Connecting the Retention Spring



1) Loosely mount spring tension bracket with provided two 1/4" x 2-1/2" bolts and two 1/4" nylock nuts. Do not tighten bolts at this point (hand tight). These need to be loose for connecting retention spring in step 2.



2) Hook the spring onto the hole in the mounting plate and connect it to the bolt on the control arm.

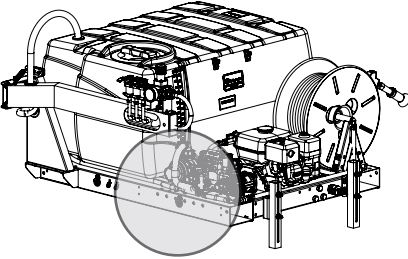


3) Tighten the bolts from step 1 on the mounting plate using 1/2" wrench. This will tension up the spring. With the spring tensioned, it will hold the arm securely in position whether folded in transport position or in operating position.

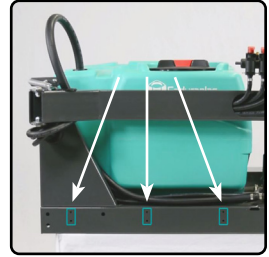


GETTING STARTED

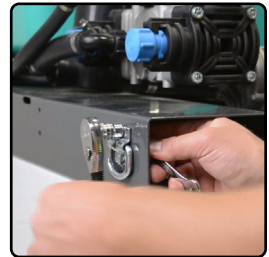
Installing the D-ring Tie-down System



1) If you wish to use the d-ring tie-down system, select your desired mounting points on each side of the frame.

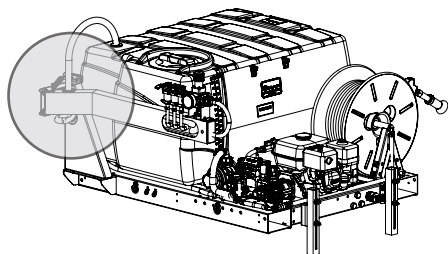


2) Install 2 d-ring tiedowns on each side of the frame using the provided d-rings and hardware. Tighten 1/4" bolts (provided in bag) with 1/2" wrench. There are multiple positions so the D-rings can be mounted where best fits your UTV bed.



Watch Instruction Videos:
www.youtube.com/enduraplas

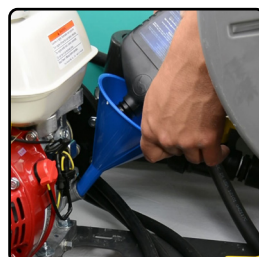
Discover More Helpful Tips:
blog.enduraplas.com/spraying

GETTING STARTED**Setting Up 365/Xstream Pump**

1) Fill the engine with regular gasoline.



2) Fill the engine oil reservoir with 0.61 quarts of 10W - 30 engine oil or until oil is to the top of fill plug.

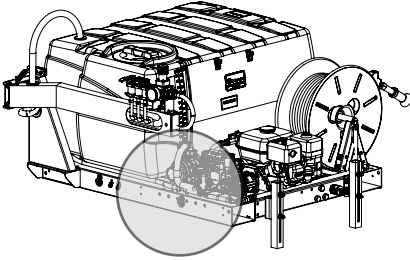


3) The pump gear box on the Field Boss XStream has already been filled with oil so it will not need anymore. When pump is cool, the oil will not show on dip stick; oil will show on dip stick when pump warms up. *FIELD BOSS® XSTREAM.



GETTING STARTED

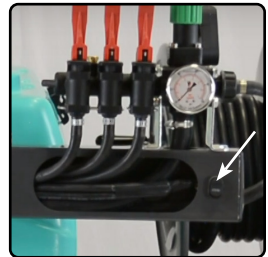
Setting Up Ecolite Pump



1) Connect the electrical cables to your battery. Cable will need to be routed safely to battery and hooked up red to positive and black to negative.



2) Turn pump switch on. If the unit comes with manual controls, the switch will be on the control arm. If the unit comes with electric in-cab controls, the switch will be routed into the cab.



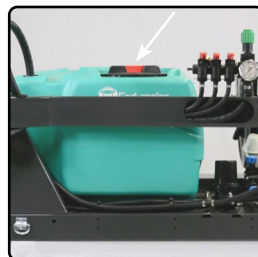
GETTING STARTED

Setting Up Sprayer

1) If you purchased the optional hand wash tank, install the freshwater tank to spray tank. Then, thread the spigot into the opening on the fresh water tank. This is used for fresh water to clean hands or spills.



2) Fill tank 1/4 full with water. This is for testing sprayer to make sure everything is operating normal with no leaks before filling with chemical.

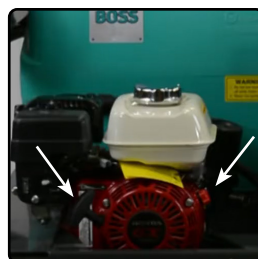


3) Before starting your engine, make sure the pressure regulator is fully open (counterclockwise) to avoid premature wear or damage to the pump. This will allow liquid to flow from pump and return back to tank. Pump should prime automatically.



4) Start pump by switching the on/off switch on motor to the on position and pulling the rope. Choke accordingly with the throttle half-way open.

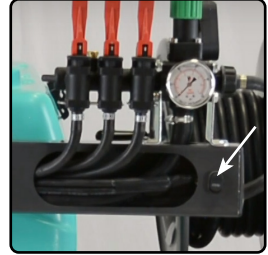
*XSTREAM & 365 SPRAYERS ONLY.



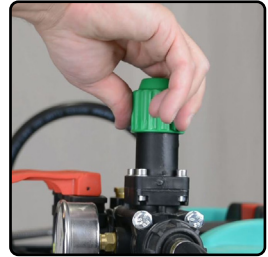
GETTING STARTED

Setting Up Sprayer

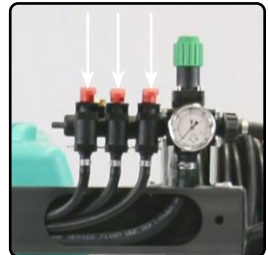
5) Turn on electric pump switch on control arm (pump should prime automatically). *ECOLITE SPRAYER ONLY.



6) Once pump is running and liquid is recirculating back into the tank, tighten knob (clockwise) to desired pressure. This will lessen the liquid flow from the tank and redirect to the spray boom.



7) Once you have set your desired pressure, test the spray boom by turning on Right, Center, and Left section controls. When controls are in the up position, the sprayer boom should be engaged. If sprayer is equipped with electric solenoids, refer to optional electric solenoid kit.



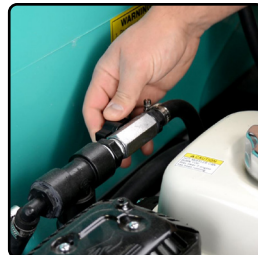
8) When using hose reel, open valve in hose reel feed line; this will allow the liquid to flow into the hose reel. Picture shown is XSTREAM sprayer.



GETTING STARTED

Setting Up Sprayer

9) When using the hose reel, make sure the valve to the hose reel is open. This will allow liquid to flow to the hose reel. Picture shown is both 365 & ECOLITE.



GETTING STARTED

Mounting Your Boom

1) The bag of hardware for mounting the adjustable slide bracket to sprayer frame includes:

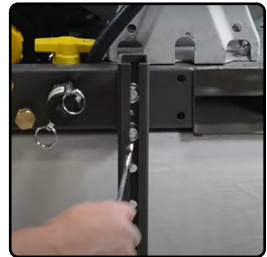
- 4 - 3/8" x 1" bolts
- 8 - 3/8" flat washers
- 4 - 3/8" self-retaining washers
- 4 - 3/8" nyloc nuts



2) Install adjustable slide brackets to the sprayer frame using hardware from step 1. Insert the 4 - 3/8" x 1" bolts through the bracket and place plastic washers over bolts to hold them in place.



3) Connect the adjustable slide brackets by inserting the 3/8" x 1" bolts through the C-bracket on sprayer frame and install 3/8" washer and 3/8" lock nuts loosely. By leaving nuts loose, it makes it easier to do steps 5 & 6.



4) The bag of hardware for mounting the boom to the adjustable slide bracket includes:

- 4 - 3/8" x 1" carriage bolts
- 4 - 3/8" flat washers
- 4 - 3/8" lock washers
- 4 - 3/8" hex nuts



GETTING STARTED**Mounting Your Boom**

5) To install your boom to the adjustable slide brackets, loosely install the carriage bolts on the boom (leaving nuts and washers on bolts). Align square head of carriage bolts with adjustable slide brackets and slide them into the bracket slots, then lower the boom down to desired height.



6) When the boom is set to desired height, tighten the hardware, making sure the square neck on the carriage bolt is fully inserted through the slot.



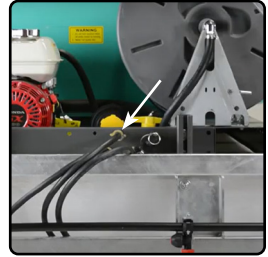
7) Once the boom is secure, tighten the hardware on the adjustable slide brackets from step 3 to make sure they are securely tightened.



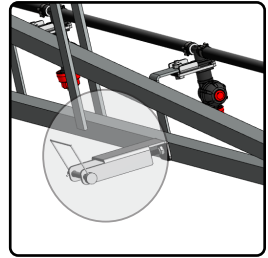
GETTING STARTED

Mounting Your Boom

8) Take the feed hoses from boom and connect to male brass hose fittings on spray unit. Hook hoses up to the appropriate section control; 12', 20' and 30' booms have 3 hose hookups and boom-less nozzle has 2 hose hookups. If hoses are too long, they can be cut to desired length.

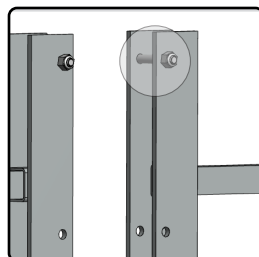


9) Install bracket shown in picture to the boom wing using supplied bolt. When folding up the boom arms, remove the clip pin and cradle the opposite wing frame into bracket and reinsert clip pin locking the booms in folded position.

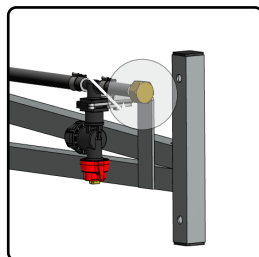


GETTING STARTED**Mounting 30' Boom Extension**

1) If you got the 30' boom extensions, once the 20' boom is mounted to the sprayer, bolt on the extensions to the boom ends using the provided 5/16" X 2" bolts.



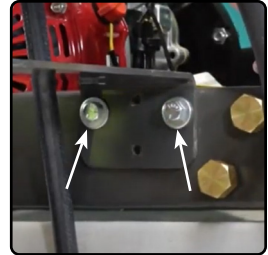
2) Take the hose extension and screw it to the existing brass fitting on the 20' wing. Follow the same procedure for the boom on the other side. Your 30' extension is now plumbed to the 20' boom.



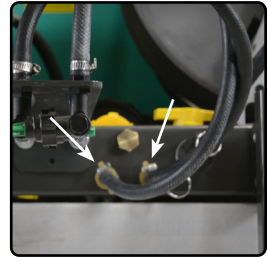
GETTING STARTED

Mounting Boomless Nozzle

1) If you got the 30' boomless nozzle kit, bolt the boomless nozzle bracket to the back of sprayer frame using provided 5/16" X 1" bolts.



2) Then, hook up hoses with female brass fittings from boomless nozzle to male brass ports on back of sprayer. Make sure washer is installed in female fitting to prevent leaking.

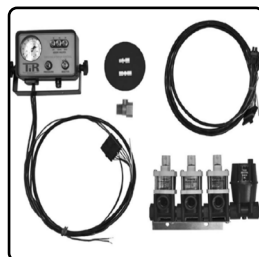


Please refer to the spray boom owner's manual for boom assembly and parts breakdown.

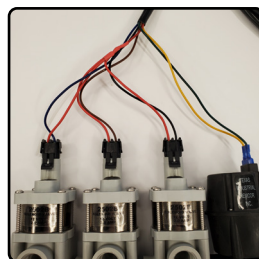
GETTING STARTED

Optional Electric Solenoid Kit

1) If you ordered your sprayer with the optional electric solenoid controls, mount controller in cab; make sure this is mounted where it will not obstruct operators view.



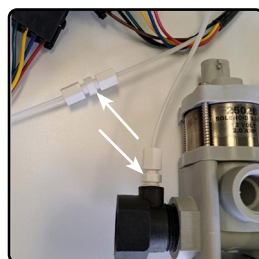
2) Connect the wire harness from the controller to the 3 electric valve banks on sprayer by plugging in the matching ends to the valves. Blue is on the left, brown is in the center, and black is on the right.



3) There are 2 wires in this harness running back to the solenoid kit that plug into the electric valve, yellow is positive and green is negative.



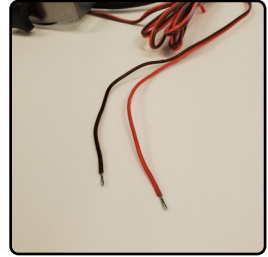
4) Connect white pressure line from controller to valve bank with provided connectors. Make sure white pressure hose is bottomed out all the way into connector fittings before tightening connector. The in-cab controller gauge will then show the pressure at the valve bank.



GETTING STARTED

Optional Electric Solenoid Kit

5) This unit comes with power wires that you will either need to add gator clips to or wire directly to a power source. If gator clips are used, connect to battery; red to positive and black to negative. Make sure wire is routed where there is no place for it to get cut or pinched.



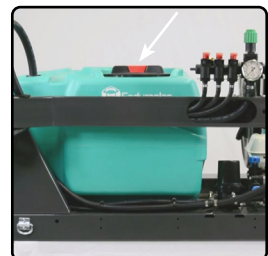
6) Turn on vehicle key to power up controller and turn on master switch on controller. This will power up electric solenoid bank on sprayer.



7) To make sure your solenoids have power, switch the 3 valve controls on and off listening for the valves to click open and shut on the sprayer. This will ensure valves are powered and operating.



8) Fill tank 1/4 full with water. This is so you can test the unit running liquid through the system without damaging pump.



GETTING STARTED

Optional Electric Solenoid Kit

9) With sprayer pump running, increase your pressure to desired amount by holding up on pressure control toggle switch; hold up for a couple seconds, then release. At 0 PSI, liquid should be returning into the top of tank. As the pressure goes up, the return to tank will slow down and pressure to boom will increase.



10) Once you have reached desired pressure, test the spray boom by turning on the Left, Center, and Right control switches. This will open the electric valves allowing flow out boom sections. (Left Center and Right)



CALIBRATING

1) Measure Nozzle Spacing

Measure the distance between each nozzle to determine the length of your travel distance.

Nozzle spacing = Distance to travel

(16" = 255') (18" = 227') (20" = 204')

(22" = 185') (24" = 170')

*Distances shown with 110° nozzles



2) Measure Appropriate Travel Distance

Mark the distance with flags or between fence posts. A tape measure capable of measuring farther than 200 ft. will make this step easier.



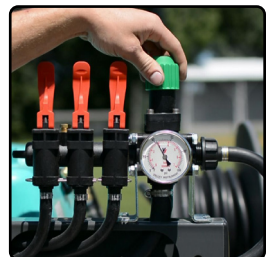
3) Drive Measured Distance - Timed

Driving the sprayer at the intended spraying speed, time how long it takes to travel between the marked distance. Repeat this procedure and average the two measurements.



4) Set Correct Spraying Pressure

With the sprayer parked and the pump running, set the ideal or intended pressure.





For Your Safety, Watch Video:

blog.enduraplas.com/spraying

5) Catch Output From Each Nozzle

Catch the output in a container (marked in ounces) for the same number of seconds it took to drive in step 3. Calculate the ‘average nozzle output’ by adding the individual outputs and then dividing by the number of nozzles tested.



6) Clean Nozzles - If Needed

If any one nozzle’s output deviates from the manufacturers’ guidelines by more than 10%, the nozzle should be replaced or cleaned. A toothbrush works perfect.



7) Analyze Results

The ounces captured per nozzle equals the gallons-per-acre application rate. (eg: 16 ounces = 16 gallons-per-acre)



8) Compare Recommended Rate

If the gallons-per-acre rate is not within 5% of the intended rate, you will have to adjust the pressure you spray at or the speed you travel. You will have to repeat steps 3 - 7.



MAINTAINING

Keeping your sprayer in good condition will help you lengthen the life of the sprayer. Everyone knows a well maintained piece of equipment ensures a longer life span. Sprayer maintenance can seem a huge task if you don't have the right tools.

Cleaning Your Tank, Hoses & Fittings

Turn the page to see how the pros clean the tank on their sprayer equipment.



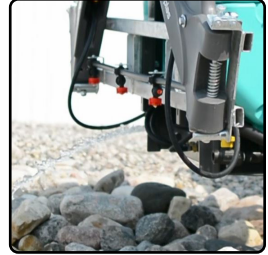
Watch Instruction Videos:
www.youtube.com/enduraplas

Discover More Helpful Tips:
blog.enduraplas.com/spraying

CLEANING

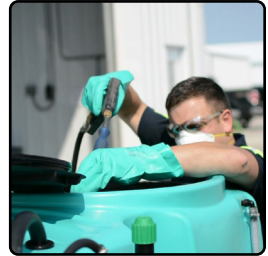
1) Drain Tank and Rinse

Rinse all liquid out of the tank. When flushing the sprayer, pay attention to where the chemical will run. Always clean in an area that will not contaminate water supplies, streams or crops.



2) Pressure Wash Inside Tank

After draining the tank, rinse the inside by spraying clean water with a pressure washer.



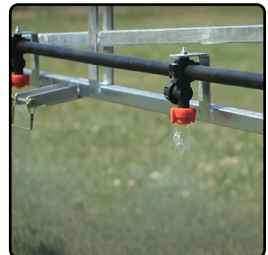
3) Add Clean Water

It's now time to shut the pump off and fill the tank with clean water.



4) Flush Clean Water Through System

Turn the pump on and spray the clean water through the boom and hand wand.



**For Your Safety, Watch Video:**

blog.enduraplas.com/spraying

5) Add Cleaning Solution and Water

Add the recommended cleaning solution to the tank of water. To mix, run the agitator inside the sprayer.

Operate for 5 - 10 minutes to mix the cleaning solution with the water.

**6) Let Sprayer Sit For 8 Hours**

With the water and cleaning solution left in the sprayer tank, let it sit for about eight hours. This will allow the solution to remove any herbicide from the residues inside the tank.

**7) Clean Nozzles, Screens, and Filters**

It's now time to rinse all nozzles, screens and filters. To clean thoroughly, put them in a bucket of cleaning agent and water.

**8) Rinse Entire System with Water**

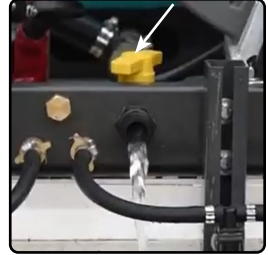
When all nozzles, etc. are back in place, give the entire system a complete rinse to ensure all cleaning solution is flushed through the unit.



WINTERIZING

1) Drain Tank

Take 1" camlock cap off the back of the sprayer making sure valve is in open position to completely drain liquid out of the system.



2) Blow out Plumbing Lines

Using compressed air, blow out the hose lines to remove all water from the system.



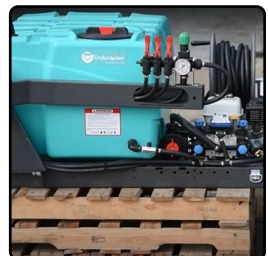
3) Flush with Anti-freeze

Pour a small amount of anti-freeze into the tank and run the pump until there is anti-freeze coming out of the nozzles. This will prevent pump and lines from freezing and breaking.



4) Store Sprayer Inside

Make sure sprayer is stored in a safe dry place.



Winterizing a Spray Boom

Please refer to the selected spray boom owner's manual that came with the boom.



Watch Instruction Videos:
www.youtube.com/enduraplas

Discover More Helpful Tips:
blog.enduraplas.com/spraying

TROUBLESHOOTING

CONDITION	CAUSE	REMEDY
Pump will not prime	1) Insufficient motor RPM 2) Air leak on suction plumbing 3) Blocked/Restricted intake hose 4) Filter cap disengaged 5) Filter gasket damaged/missing	1) Increase motor RPM until pump primes 2) Tighten/replace fittings & hose clamps. Verify suction hoses are in good condition 3) Remove blockage from suction line, ensure line is not kinked 4) Lock filter cap into position 5) Replace filter gasket
Pressure drops/fluctuates during standard operation	1) Restriction on suction line 2) Pump sucking air 3) Plugged filter 4) Damaged regulator	1) Inspect tank and suction lines and remove restriction 2) Tighten fittings 3) Remove and clean filter mesh and housing 4) Remove regulator stem and inspect for broken parts/pieces
Pressure gauge not registering	1) Plugged with debris	1) Unthread, check and clean pressure gauge

CONDITION	CAUSE	REMEDY
Hand gun loses pressure	1) Debris in hose or nozzle 2) Pump losing prime 3) Pump pressure dropping/fluctuating	1) Unthread nozzle tip and clean 2) See Remedy for 'Pump will not prime or loses prime' 3) See Remedy for 'Pressure drops/ fluctuates during standard operation'



Watch Instruction Videos:
www.youtube.com/enduraplas

Discover More Helpful Tips:
blog.enduraplas.com/spraying

WARRANTY

1. Poly Tank Limited Warranty - Subject to other terms in this Limited Warranty, Manufacturer warrants to the original end user that this Tank will be free from material defects caused during the manufacturing process for a period of 5 years from the Purchase Date provided such warranty to the original end user shall be extended to 10 years from the Purchase Date if the original end user registers the Tank with Manufacturer within 30 days of the Purchase Date. To register the Limited Warranty, registration must be completed in accordance with the requirements set forth at enduraplaswarranty.com

Other Products and Parts Limited Warranty - Subject to other terms in this Limited Warranty, Manufacturer warrants to the original end user that products and parts manufactured by Manufacturer (other than tanks) will be free from material defects caused during the manufacturing process for a period of 1 year from the Purchase Date unless otherwise expressly stated in writing by Manufacturer that an extended warranty applies.

2. Other Warranties Disclaimed and Excluded

THERE ARE NO WARRANTIES, EXPRESS OR IMPLIED, WHICH EXTEND BEYOND THE LIMITED WARRANTY HEREIN STATED, AND MANUFACTURER EXPLICITLY DISCLAIMS AND EXCLUDES ANY AND ALL OTHER WARRANTIES INCLUDING BUT NOT LIMITED TO WARRANTIES OF MERCHANTABILITY, FITNESS FOR PARTICULAR PURPOSE, CUSTOM OR USAGE OF TRADE, AND COURSE OF DEALING. NO AGENT, EMPLOYEE OR REPRESENTATIVE OF MANUFACTURER HAS AUTHORITY TO BIND MANUFACTURER TO ANY REPRESENTATION OR WARRANTY EXCEPT AS STATED IN THIS LIMITED WARRANTY.

WARRANTY

3. Limitation of Liability under the Limited Warranty - In addition to those warranties disclaimed and excluded in clause 2 above, Manufacturer expressly further limits its warranty and liability under the Limited Warranty as set forth below in this clause 3.
 - 3.1. The liability of Manufacturer under this Limited Warranty is excluded to the extent that any defect has been caused or contributed to by:
 - a) any accident, contamination, tampering, willful damage, abuse, modification, improper storage, improper use (including but without limitation the storage of material) or negligent act of, or omission by, any person other than Manufacturer;
 - b) the improper installation of the Goods, or deterioration of the base on which any of the Goods rest or are mounted to;
 - c) any damage to the Goods caused by storm, wash away, landslide, mudslide, lightning, or any other natural phenomenon, vermin or other pests, and any undermining of the base of the Tank through any cause whatsoever;
 - d) the repositioning of the Goods from their original installation;
 - e) weathering or degradation of the Goods due to extreme climatic conditions;
 - f) improper installation of extra fittings;
 - g) any staining or discoloration, including from trees or ash fall-out from fires or other causes;
 - h) a Tank not being placed on a base that is free of any protruding objects of any kind;
 - i) a Tank being used for any purpose other than the storage of suitable liquids at the ambient temperatures.

WARRANTY

3.2. Without limiting the generality of clause 3.1:

- a) Manufacturer will not be liable for any personal injury, indirect or incidental damages, consequential losses, loss of liquids, loss of profit or any like claims whatsoever arising from any use of, or incidental to, or repairs to any of the Goods by a party other than Manufacturer;
- b) to the extent that any component or material (including, but without limitation the polyethylene) used in the manufacture of any of the Goods is supplied and/or manufactured by a third party, the liability of Manufacturer is limited to Manufacturer's right of redress (if any) against the third-party supplier/manufacturer;
- c) Tanks feature a vented lid at the time of manufacture. Any subsequent pressurization of the Tank by removing the vent, sealing the vent, or otherwise will cause this Limited Warranty as to such Tank to be null and void.
- d) The liability of Manufacturer under this Limited Warranty is limited to, at Manufacturer's discretion:
- e) providing a replacement Good (including shipping but excluding other replacement costs);
- f) refunding an amount equal to a sum equal to the current Retail price divided by the months in the warranty, multiplied by the months remaining in the warranty period;
- g) repairing the Good at no cost.

4. Proof of Purchase - The original invoice or other similar proof of purchase of the applicable must be provided by Purchaser to Manufacturer when making a claim under this Limited Warranty. Warranty claims must be received in writing by Manufacturer within the Limited Warranty period.

WARRANTY

5. Claims and Questions - If you have questions about this Limited Warranty or to make a warranty claim, contact Manufacturer at: customercare@enduraplas.com
6. Definitions - For this Limited Warranty the following definitions apply:
 - a) Manufacturer means Enduraplas LLC.
 - b) Purchase Date means the date upon which the applicable goods were purchased by the original end user.
 - c) Purchase Price means the actual price paid for the Tank by the original Purchaser.
 - d) Tank means the storage Tank manufactured by Manufacturer and purchased by the original end user Purchaser being the subject matter of the Limited Warranty.
 - e) Good(s) mean Tanks and/or other products or parts manufactured by Enduraplas LLC.
 - f) Limited Warranty means this written Limited Warranty.
7. State Law - Some states do not allow the exclusion or limitation of incidental or consequential damages, so the above limitation and exclusion may not apply to certain parties. Some states do not allow limitation on how long an implied warranty lasts, so the above limitation may not apply to certain parties. This limited warranty gives specific legal rights and other rights, which vary from state to state, may also apply.
8. Governing Law - This Limited Warranty will be governed by the laws of the State of Minnesota, without giving effect to any choice of law rule that would cause the application of the laws of any other jurisdiction

REGISTERING WARRANTY

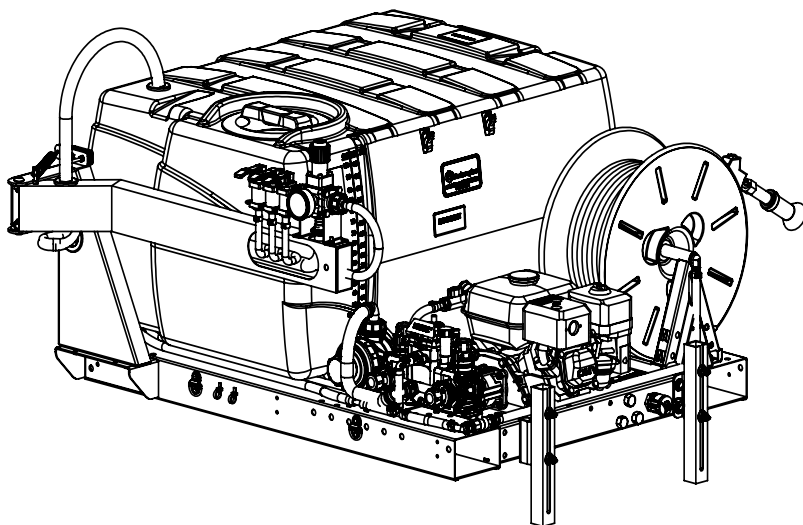
Serial Number Location



How to Activate

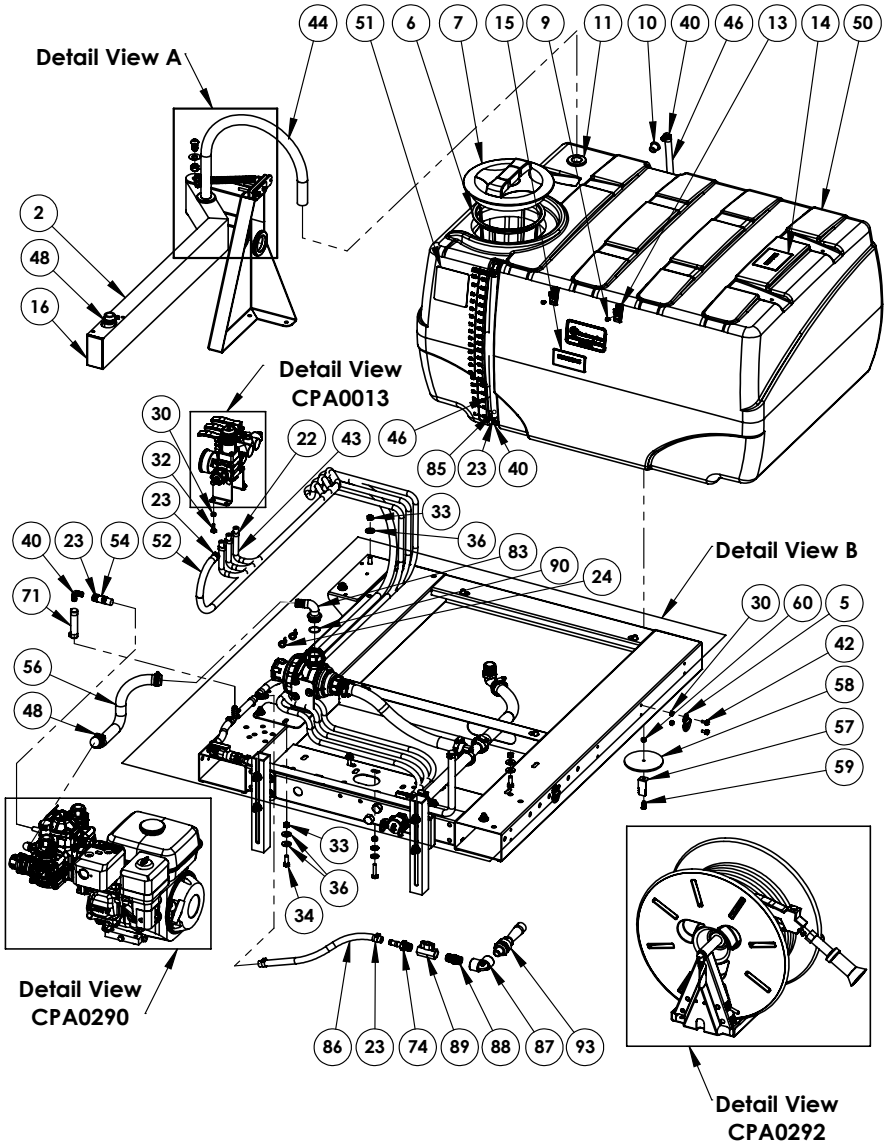
To double your 5-year tank warranty, visit [enduraplaswarranty.com](https://www.enduraplaswarranty.com) and register this product.

FIELD BOSS™ XSTREAM

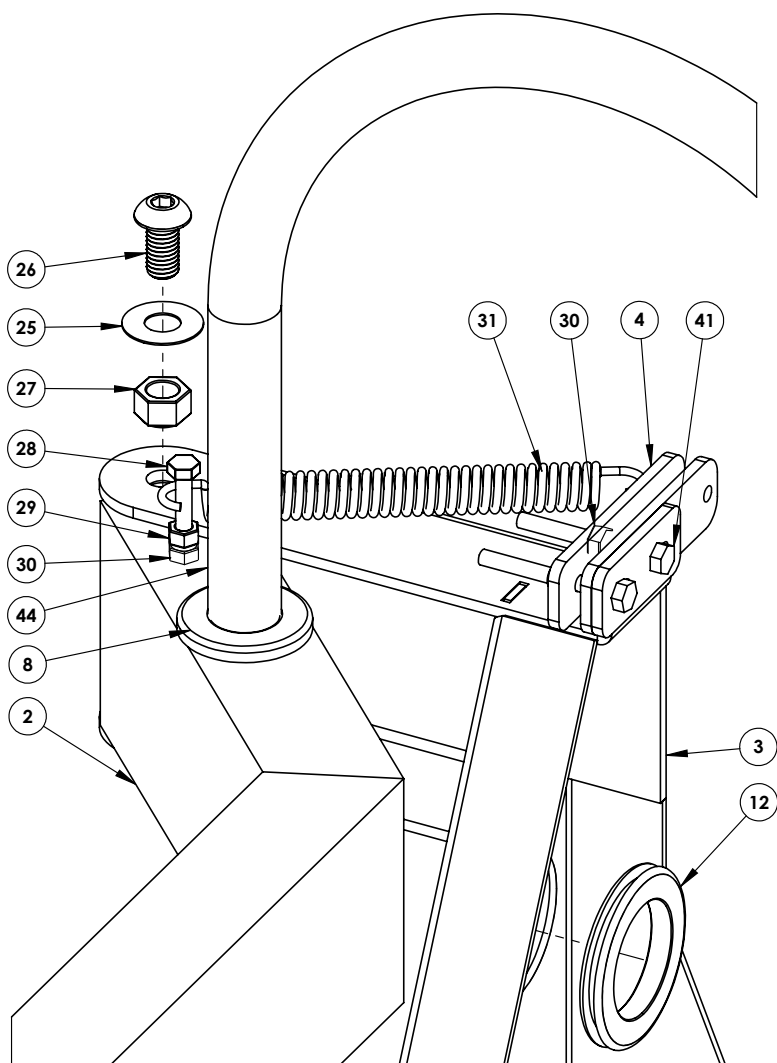


SFB100FG290EX

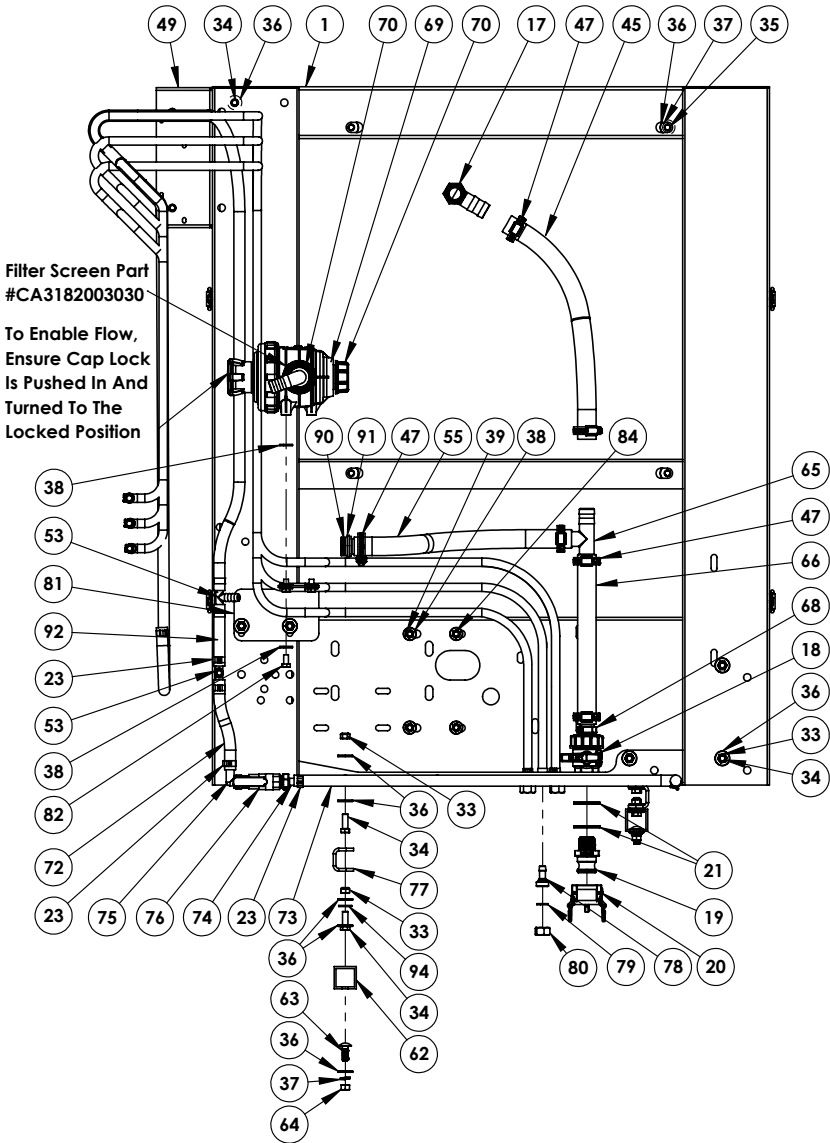
OVERVIEW



DETAIL VIEW A



DETAIL VIEW B



PARTS LIST

ITEM NO.	Part #	DESCRIPTION	QTY.
1	AZFB060B	Base only for FB	1
2	AZFB060A	SWING ARM	1
3	AZFB060AB	SWING ARM BASE	1
4	AZFB060AB-3	Spring tension bracket	1
5	AZFB060D	D-RINGS & HARDWARE	4
6	CA300116	8 inch filter basket	1
7	CA3511221	8 inch lid	1
8	CDGN03	1 Inch press fit hose grommet	1
9	CHMS900213	10-32 - 1/2 Pan head screw	2
10	CPFG10	5/8 Top hat grommet	4
11	CPFG15	3/4 Press fit hose grommet	1
12	CPFG16	2 inch ID Grommet	1
13	CVGC100	Wand Clip	2
14	CXLT0007	3 X 4 Caution Label	1
15	CXLT0008	2 X 4 Warning Label	1
16	CXP0005	4 x 2 rectangular plug	1
17	CFPE05M05B	1 MNPT x 1 Hose Barb 90	1
18	CVPBV234	3/4 FPT Union Valve	1
19	CB075F	3/4 Male Adaptor x 3/4 MPT	1
20	CB075CAP	1/2 and 3/4 Camlock cap	1
21	CHWZF105	1 SAE Flat Washer	2
22	CFCC002	CLAMP FOR 3/8" HOSE	6
23	CFCC003	Clamp for 1/2" Hose	18
24	CXSC0002	Cable Tie 8"	2
25	CPFW01	1/2 Nylon flat washer	2
26	CHMS050523A	1/2 x 1 Panhead hex drive bolt	2
27	CHNZN0525	1/2" Nylock Nut	2
28	CHBZ010725	1/4 X 1-1/2 Bolt	1
29	CHNZH0125	1/4 nut	1
30	CHNZN0125	1/4 Nylock nut	13
31	CHPZFE	extension spring	1
32	CHBZ010325	1/4 X 3/4 Bolt	2
33	CHNZN0325	3/8" Nylock Nut	16
34	CHBZ030525	3/8" x 1" Bolt	16
35	CHBZ030425	3/8 x 3/4 bolt	4
36	CHWZF035	3/8" Flat Washer	40

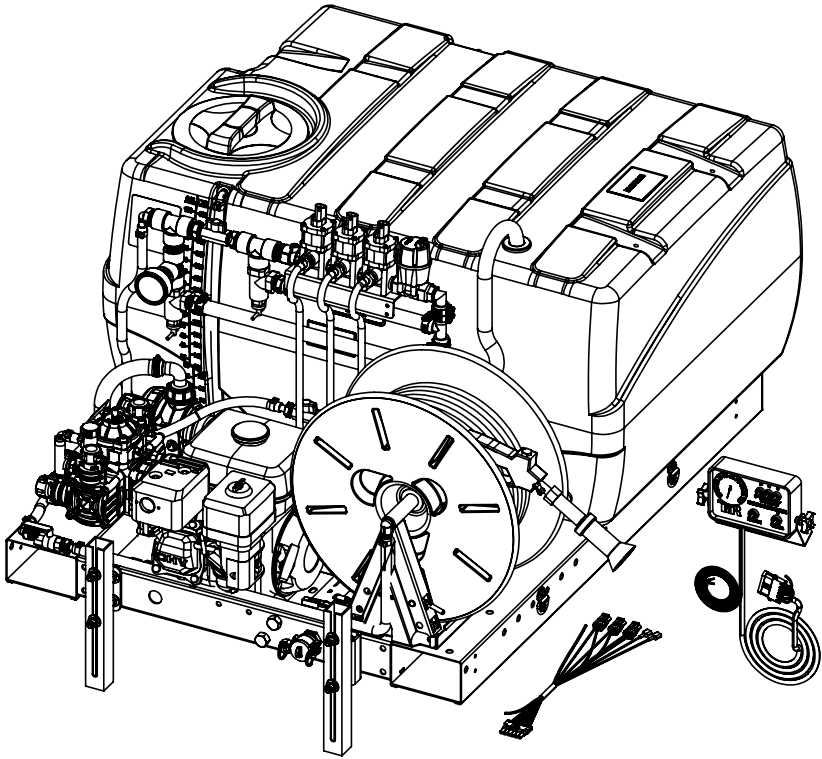
PARTS LIST

ITEM NO.	Part #	DESCRIPTION	QTY.
37	CHWZL035	3/8 Lock washer	8
38	CHWZF025	5/16 Flat washer	14
39	CHNZN0225	5/16 Nylock nut	4
40	CV3EL12HB	1/2 X 1/2 hose barb 90 degree	5
41	CHBZ011125	1/4 x 2-1/2 Bolt	2
42	CHBZ010225	1/4 X 1/2 Bolt	8
43	CLUESB020001	3/8 EPDM HOSE	3
44	CLUESB020004	3/4 EPDM HOSE	1
45	CLUESB020005	1 EPDM hose	1
46	CLUVGC02502	1/2 Site gauge hose	2
47	CFCW003	Clamp For 1" Hose	6
48	CFCW001	Clamp For 3/4" Hose	3
49	AZKF0008	Field Boss Arm Ext-Solenoid Bracket	1
50	AMTHSFB100FG	100 Gallon FB tank	1
51	CTMD008	4 X 4 Field Boss XSTREAM Logo	1
52	CLUESB020002	1/2 EPDM HOSE	1
53	CFPT02B	1/2HB x 1/2HB x 1/2 HB TEE	2
54	CLUESB020002	1/2 EPDM Hose	1
55	CLUESB020005	1 EPDM Hose	1
56	CLUESB020004	3/4 EPDM Hose	1
57	AZFB060F	Anti Vortex Bracket for Field Boss Tank	1
58	AMAVFB	4-1/2 Anti vortex plastic	1
59	CHMS010333	1/4" x 3/4" SS Panhead Phillips Bolt	1
60	CHNSN0123	1/4" Stainless Lock Nut	1
62	AZKB0004	ADJUSTABLE BOOM BRACKET	2
63	CHBZ030525C	3/8" x 1 Carriage Bolt	4
64	CHNZH0325	3/8" Nut	4
65	CBHBT100	1 Hose Barb Tee	1
66	CLUESB020005	1 EPDM Hose	1
68	CBHB075100	3/4 MNPT x 1 Hose Shank	1
69	CA3132453	Automatic filter 1-1/4	1
70	CA2002050	Fly-Nut 1-1/4	2
71	CLUESB020002	1/2 EPDM Hose	1
72	CLUESB020002	1/2 EPDM Hose	1
73	CLUESB020002	1/2 EPDM Hose	1
74	CFPS02M02B	1/2 MNPT x 1/2 Hose Barb	2
75	CBHB05090	1/2 MNPT x 1/2 Hose Shank 90	1

PARTS LIST

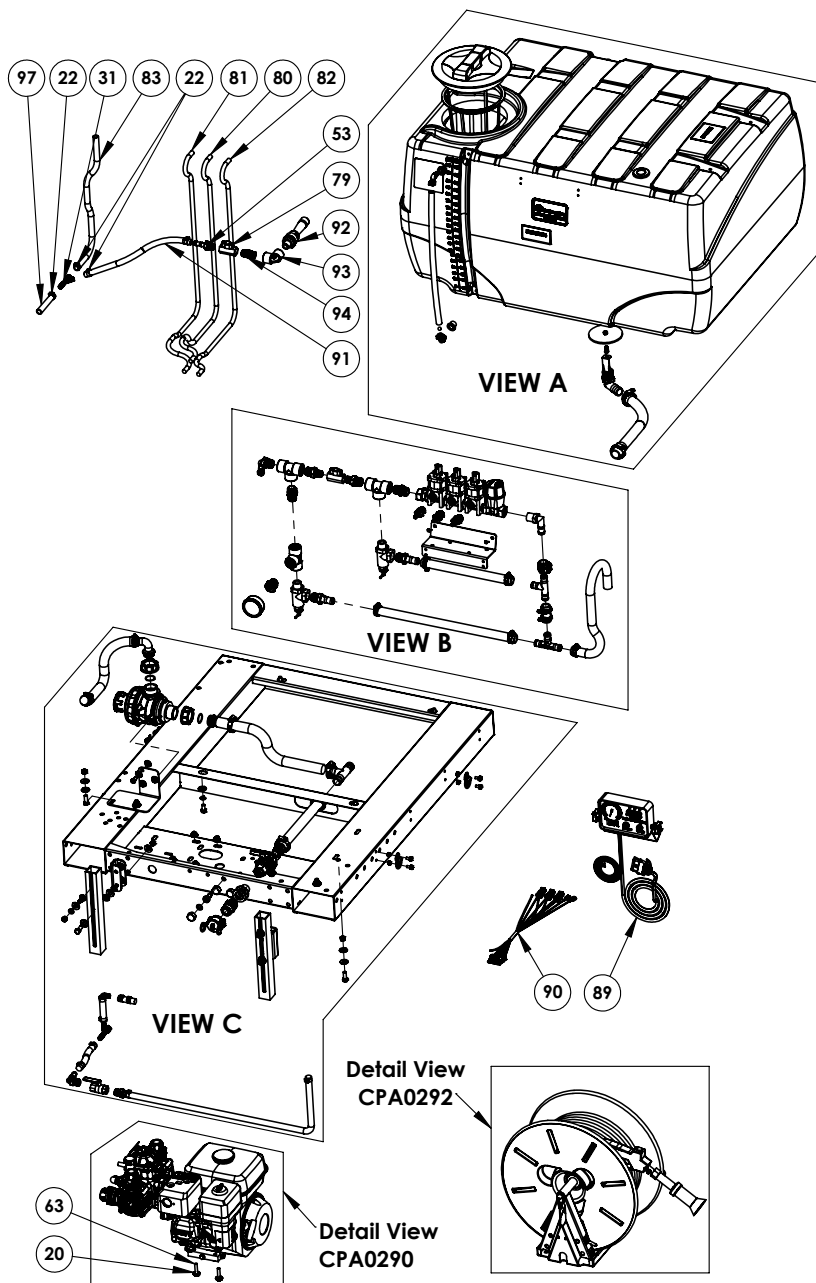
ITEM NO.	Part #	DESCRIPTION	QTY.
76	CVBBV12	1/2 Ball Valve Full Port Brass	1
77	AZFB060J	Field Boss Boom Mount Spacer	2
78	CFBU01B02M	3/8 Union nipple 1/2 male thread	3
79	CFBU02G	rubber washer for brass cap	3
80	CFBU02C	Brass Cap-GH	3
81	AZKF0016	Filter Lift Kit for FB Xstream	1
82	CHBZ8014088125	8 x 1.25 x 20MM Hex Head Bolt	3
83	CA116522	Hosetail 22MM for Fly-Nut 1IN 90	1
84	CHBZ020725	5/16 x 1-1/2 bolt	4
85	CPSB01	10MM Site Glass Ball Level Indicator	2
86	CLUESB020002	1/2" EPDM Hose	1
87	CBEL05090	1/2 FNPT Poly Pipe Elbow 90	1
88	CBNIP050SH	.5 IN Short Poly Nipple	1
89	CVS34DX1	1/2 FIP x 1/2 FIP T-Handle Ball Valve	1
90	CAG10051	O Ring EPDM	2
91	CA106525	Hosetail Straight D.25 for Fly-Nut 1 1/4 inch	1
92	CLUESB020002	1/2 EPDM HOSE	1
93	CA502020	Agitator	1
94	CHWNR03	Self retaining washer for 3/8 and M9	4

FIELD BOSS™ XSTREAM

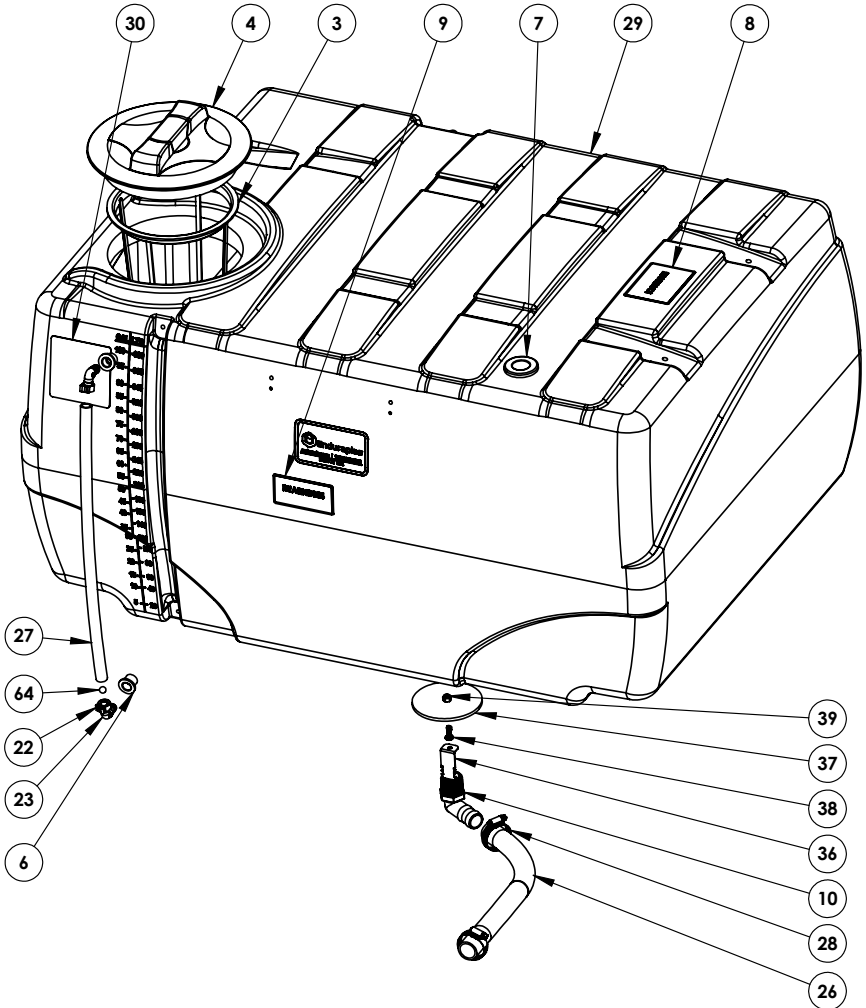


SFB 100FG290EX-ES

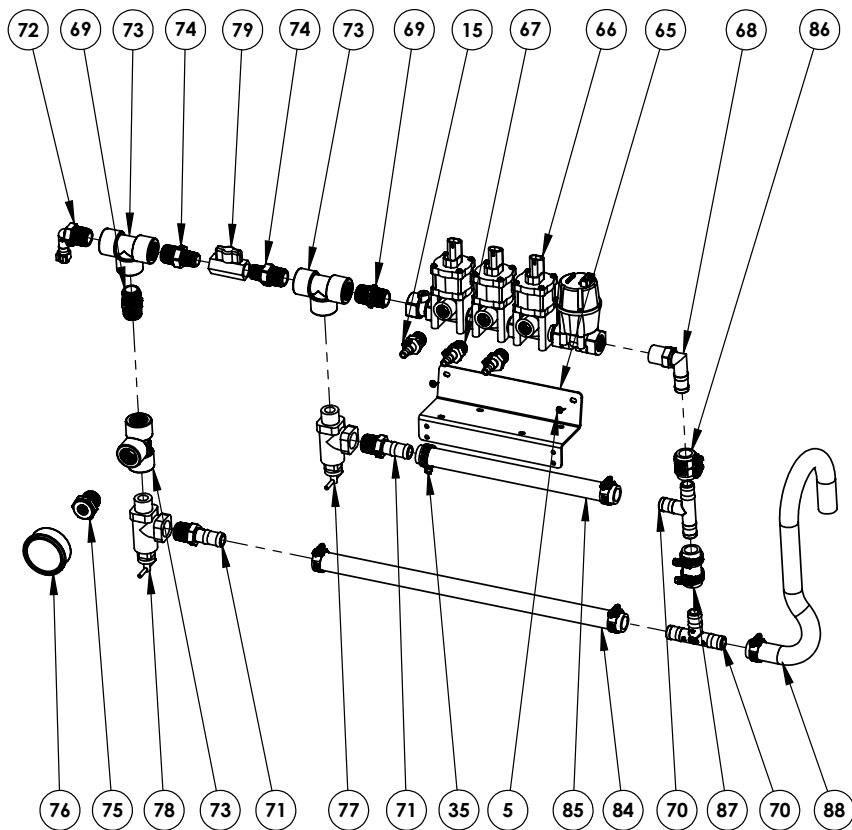
OVERVIEW



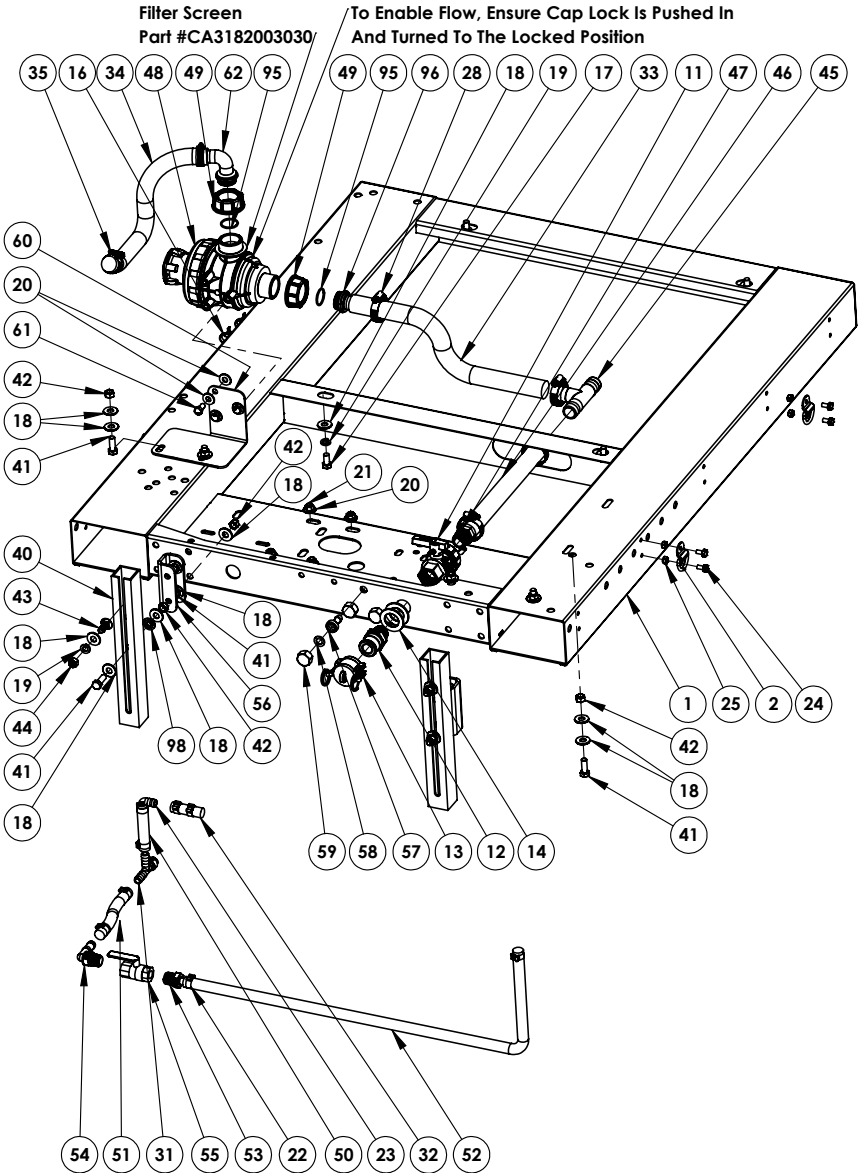
DETAIL VIEW A



DETAIL VIEW B



DETAIL VIEW C



PARTS LIST

ITEM NO.	Part #	DESCRIPTION	QTY.
1	AZFB060B	Base only for FB	1
2	AZFB060D	D-RINGS & HARDWARE	4
3	CA300116	8 inch filter basket	1
4	CA3511221	8 inch lid	1
5	CHMS900213	10-32 - 1/2 Pan head screw	2
6	CPFG10	5/8 Top hat grommet	4
7	CPFG15	3/4 Press fit hose grommet	1
8	CXLT0007	3 X 4 Caution Label	1
9	CXLT0008	2 X 4 Warning Label	1
10	CFPE05M05B	1 MNPT x 1 Hose Barb 90	1
11	CVPBV234	3/4 FPT Union Valve	1
12	CB075F	3/4 Male Adaptor x 3/4 MPT	1
13	CB075CAP	1/2 and 3/4 Camlock cap	1
14	CHWZF105	1 SAE Flat Washer	2
15	CFCC002	CLAMP FOR 3/8" HOSE	6
16	CXSC0002	Cable Tie 8"	2
17	CHBZ030425	3/8 x 3/4 bolt	4
18	CHWZF035	3/8" Flat Washer	34
19	CHWZL035	3/8 Lock washer	8
20	CHWZF025	5/16 Flat washer	14
21	CHNZN0225	5/16 Nylock nut	4
22	CFCC003	Clamp for 1/2" Hose	18
23	CV3EL12HB	1/2 X 1/2 hose barb 90 degree	5
24	CHBZ010225	1/4 X 1/2 Bolt	8
25	CHNZN0125	1/4 Nylock nut	8
26	CLUESB020005	1 EPDM hose	1
27	CLUVGC02502	1/2 Site gauge hose	2
28	CFCW003	Clamp For 1" Hose	6
29	AMTHSFB100FG	100 Gallon FB tank	1
30	CTMD008	4 X 4 Field Boss XSTREAM Logo	1
31	CFPT02B	1/2HB x 1/2HB x 1/2 HB TEE	2
32	CLUESB020002	1/2 EPDM Hose	1
33	CLUESB020005	1 EPDM Hose	1
34	CLUESB020004	3/4 EPDM Hose	1
35	CFCW001	Clamp For 3/4" Hose	11
36	AZFB060F	Anti Vortex Bracket for Field Boss Tank	1
37	AMAVFB	4-1/2 Anti vortex plastic	1
38	CHMS010333	1/4" x 3/4" SS Panhead Phillips Bolt	1
39	CHNSN0123	1/4" Stainless Lock Nut	1
40	AZKB0004	ADJUSTABLE BOOM BRACKET	2
41	CHBZ030525	3/8" x 1" Bolt	13
42	CHNZN0325	3/8" Nylock Nut	13
43	CHBZ030525C	3/8" x 1 Carriage Bolt	4
44	CHNZH0325	3/8" Nut	4

PARTS LIST

ITEM NO.	Part #	DESCRIPTION	QTY.
45	CBHBT100	1 Hose Barb Tee	1
46	CLUESB020005	1 EPDM Hose	1
47	CBHB075100	3/4 MNPT x 1 Hose Shank	1
48	CA3132453	Automatic filter 1-1/4	1
49	CA2002050	Fly-Nut 1-1/4	2
50	CLUESB020002	1/2 EPDM Hose	1
51	CLUESB020002	1/2 EPDM Hose	1
52	CLUESB020002	1/2 EPDM Hose	1
53	CFPS02M02B	1/2 MNPT x 1/2 Hose Barb	2
54	CBHB05090	1/2 MNPT x 1/2 Hose Shank 90	1
55	CVBBV12	1/2 Ball Valve Full Port Brass	1
56	AZFB060J	Field Boss Boom Mount Spacer	2
57	CFBU01B02M	3/8 Union nipple 1/2 male thread	3
58	CFBU02G	rubber washer for brass cap	3
59	CFBU02C	Brass Cap-GH	3
60	AZKF0016	Filter Lift Kit for FB Xstream	1
61	CHBZ8014088125	8 x 1.25 x 20MM Hex Head Bolt	3
62	CA116522	Hosetail 22MM for Fly-Nut 1IN 90	1
63	CHBZ020725	5/16 x 1-1/2 bolt	4
64	CPSB01	10MM Site Glass Ball Level Indicator	2
65	AZFB060K	Field Boss Electric Solenoid Bracket	1
66	CFXES04	RC-1B System with 2502B-3 Solenoid Valve	1
67	CFPS02M01B	1/2 MNPT x 3/8 Hose Barb	3
68	CFPE04M04B	3/4 MNPT x 3/4 Hose Barb 90	1
69	CFPN04M04M	3/4 Short Nipple	2
70	CFPT04B	3/4 Hose Barb Tee	2
71	CFPS04M04B	3/4 MNPT To 3/4 Hose Shank	2
72	CFPE04M02B	3/4 MNPT x 1/2 Hose Barb 90	1
73	CBTEE075	3/4 Poly Pipe Tee	3
74	CBRN075050	3/4 to 1/2 Reducing Nipple	2
75	CBRB075025	3/4 MNPT x 1/4 FNPT Reducing Bushing	1
76	CV2240GXB300	Pressure Gauge 300 PSI (Glycerin Filled)	1
77	CVRV20660158	3/4 Pressure Relief Valve	1
78	CVRV2066-05-58	3/4 inch Pressure Relief Valve 0-250 PSI	1
79	CVS34DX1	1/2 FIP x 1/2 FIP T-Handle Ball Valve	2
80	CLUESB020001	3/8 EPDM HOSE	1
81	CLUESB020001	3/8 EPDM HOSE	1
82	CLUESB020001	3/8 EPDM Hose	1
83	CLUESB020002	1/2 EPDM Hose	1
84	CLUESB020004	3/4 EPDM Hose	1
85	CLUESB020004	3/4 EPDM Hose	1
86	CLUESB020004	3/4 EPDM Hose	1
87	CLUESB020004	3/4 EPDM Hose	1
88	CLUESB020004	3/4 EPDM Hose	1

PARTS LIST

ITEM NO.	Part #	DESCRIPTION	QTY.
89	CFXES04 - CU	CFXES04 - Control Unit	1
90	CFXES04 - WH	CFXES04 - Wire harness	1
91	CLUESB020002	1/2" EPDM Hose	1
92	CA502020	Agitator	1
93	CBEL05090	1/2 FNPT Poly Pipe Elbow 90	1
94	CBNIP050SH	.5 IN Short Poly Nipple	1
95	CAG10051	O Ring EPDM	2
96	CA106525	Hosetail Straight D.25 for Fly-Nut 1 1/4 inch	1
97	CLUESB020002	1/2 EPDM Hose	1
98	CHWNR03	Self retaining washer for 3/8 and M9	4

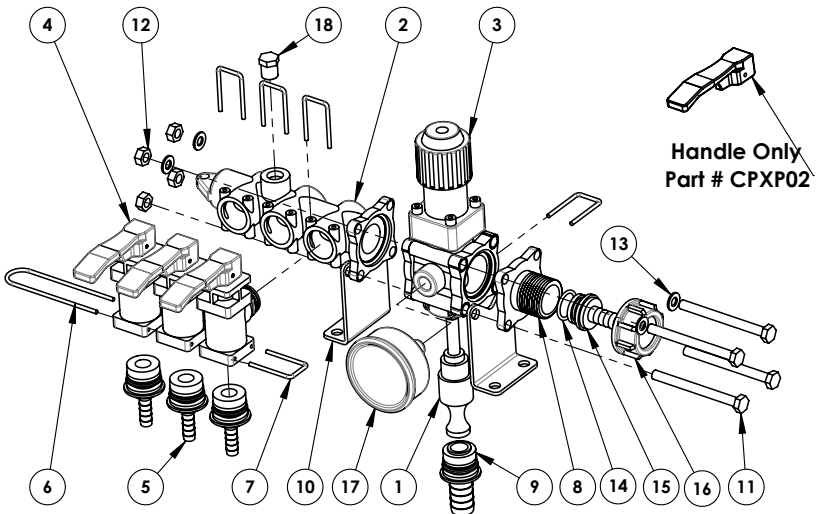
DETAIL VIEW CPA0013

CA463CDP02 parts:

ITEM NO.	PART #	DESCRIPTION	QTY.
1	CA463080510	Valve Stem Kit for 463080	1
2	CA461030010	Manifold Body for 3-way outlet	1
3	CA463080	Pressure Relief Control Valve asm.	1
4	CA464402151	Single Auxiliary Cock for Valve	3
5	CA463001A10	3/8" Hose barb for valve 463 c/w oring	3
6	CA10012	Large Fork Pin	1
7	CA10002	Small Fork Pin	5
8	CA463000040	1 inch Male BSP adapter	1
9	CA463080A19	3/4" Hose barb for valve 463 w/ o-ring	1
10	CA463911100	Mounting Bracket	2
11	CHBZ801425	8 X 3 5-16" bolt HEX HEAD 8.8	4
12	CHNZN0885	8 NYLOC NUT ZINC HEX NUT	4
13	CHWZF885	8 MM FLAT WASHER 8.8	4

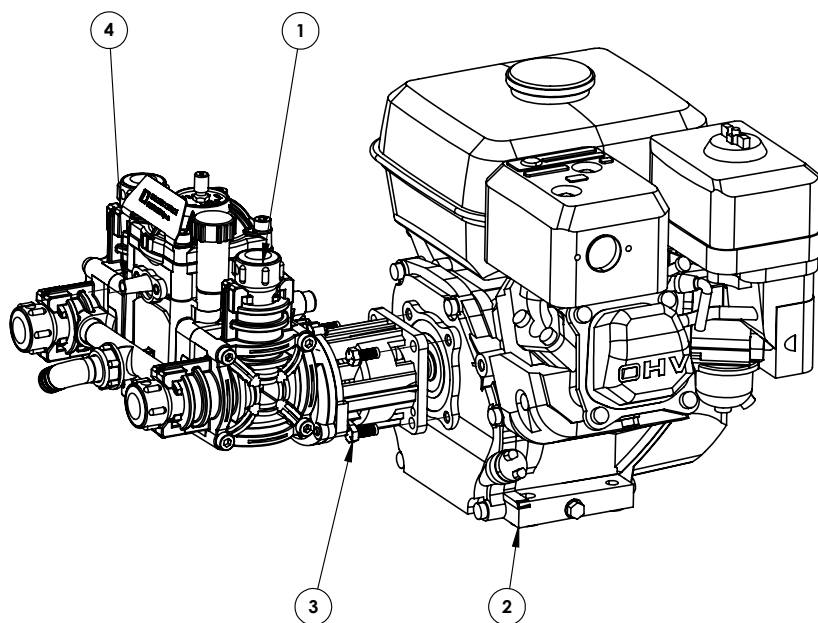
CPA0013 includes CA463CDP02 parts and:

ITEM NO.	PART #	DESCRIPTION	QTY.
14	CAG10041	Gasket 20mm, hosetail	1
15	CA106413	Hosetail - 1/2 diameter for Fly nut 1 inch	1
16	CA2002040	Fly Nut 1 inch	1
17	CV2240GXB300	Pressure Gauge 300 PSI (Glycerin Filled)	1
18	CFBP00M	1/4 NPT Hex Brass Plug	1



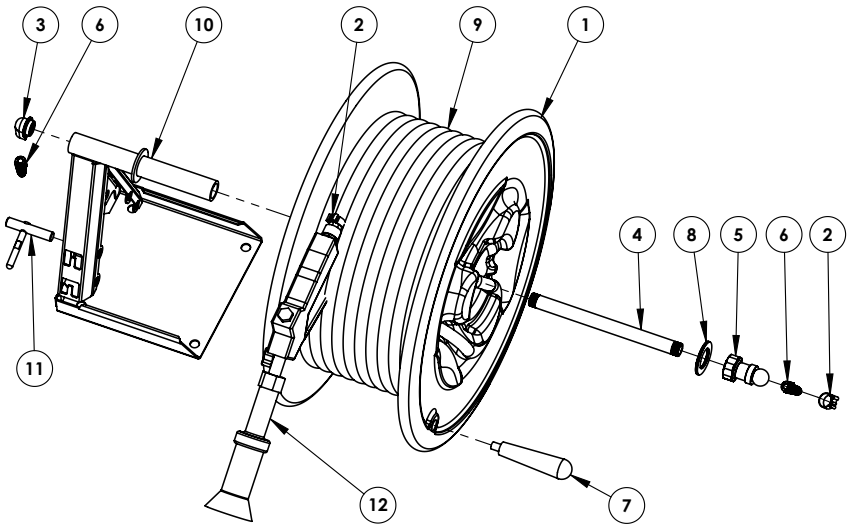
DETAIL VIEW CPA0290

ITEM NO.	PART #	DESCRIPTION	QTY.
1	APBD02	Bertolini Poly 2020 Pump	1
2	CPEH12008K	HONDA GX120 ENGINE	1
3	CHBZ020325	5-16 x .75 Hex Bolt	4
4	CPPBD002	Bertolini Pressure Connector Kit	1

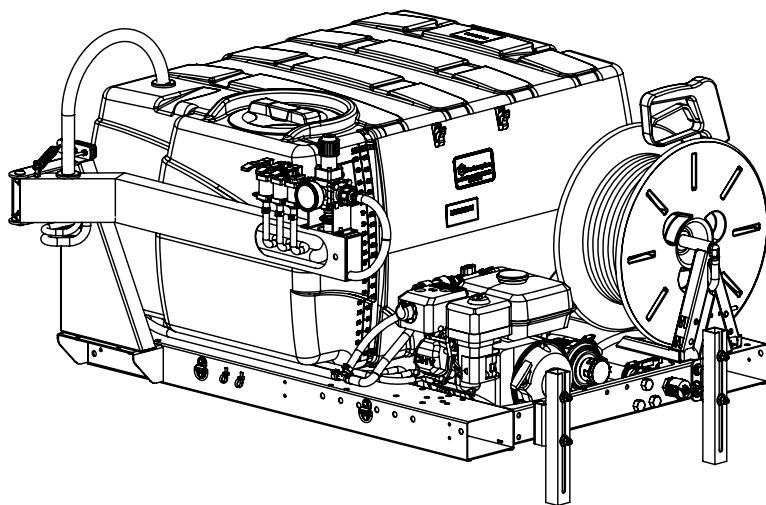


DETAIL VIEW CPA0292

ITEM NO.	PART #	DESCRIPTION	QTY.
1	AMAH01GY	HR030/050 REEL ONLY	1
2	CFCC003	CLAMP FOR 1/2 HOSE	2
3	CFRB06	1/4-3/8 BSP FEMALE ELBOW	1
4	CFRB07	STAINLESS PIPE 3/8 THREAD BOTH ENDS	1
5	CFRB08	3/8 X 1/4 BALL BEARING SWIVEL	1
6	CFRB09	1/4 MALE THREAD X 1/2 HOSE BARB	2
7	CFRH03C	PHENOIC TAPERED HANDLE	1
8	CHWZF105	1 SAE FLAT WASHER	1
9	CLUESB020002	1/2 EPDM HOSE - 100'	1
10	AZKH0003	30-50 Base Mount HR Frame	1
11	AZKH0018	Lock for Small Hose Reel	1
12	CVSTAL28	Turbo Jet Adjustable Spray Wand	1

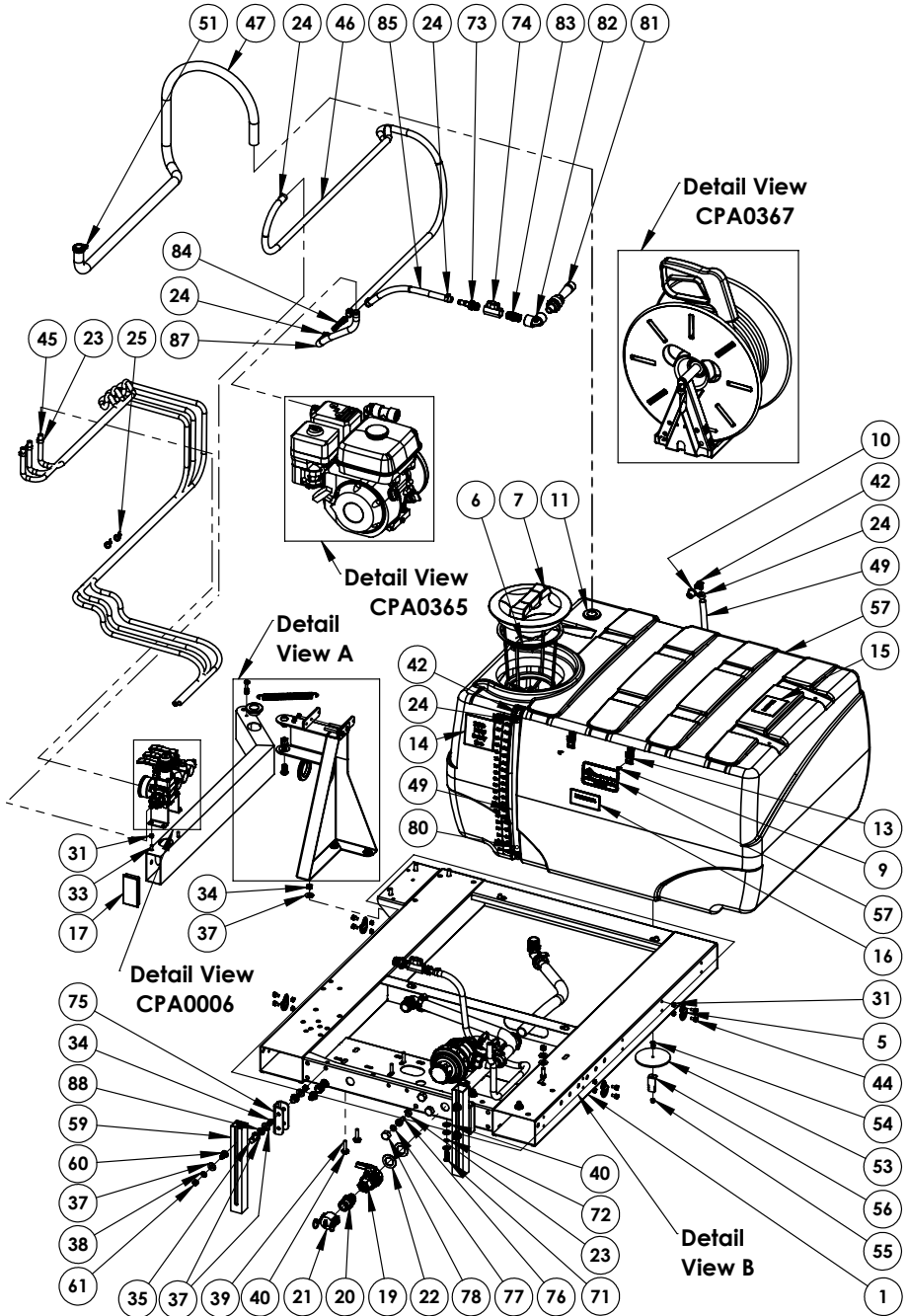


FIELD BOSS™ 365

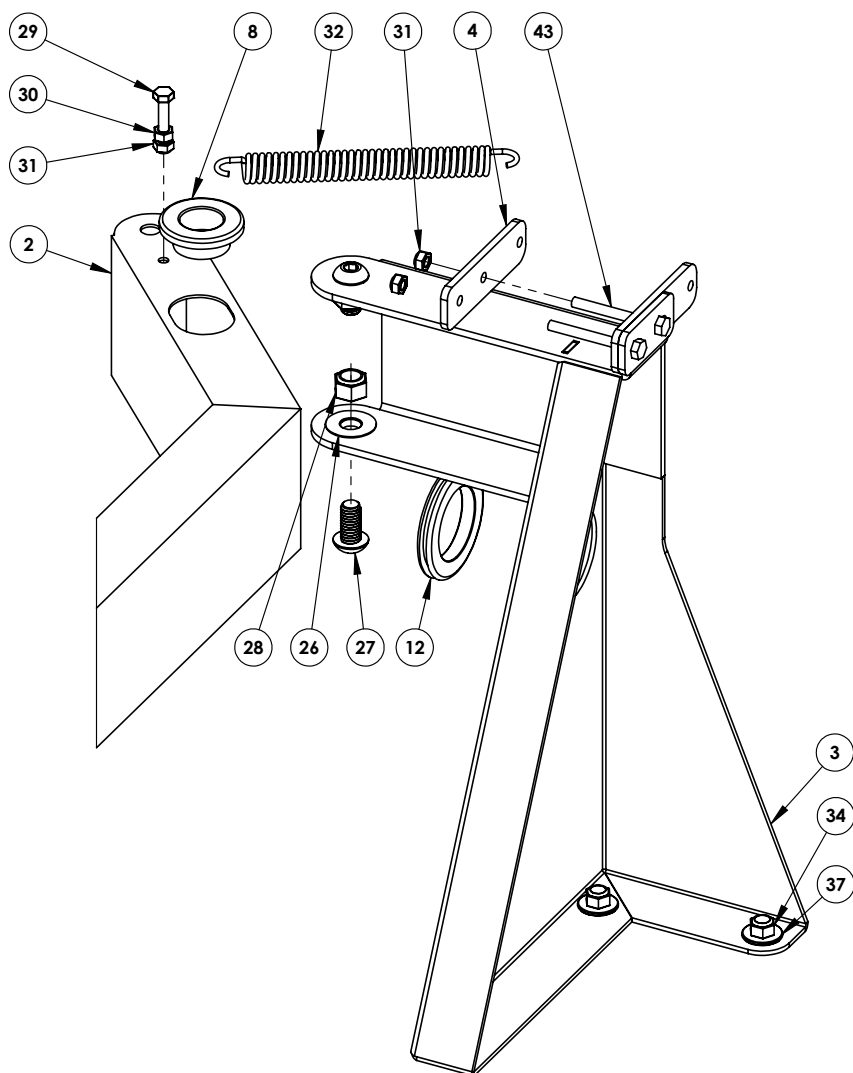


SFB100FG225GH

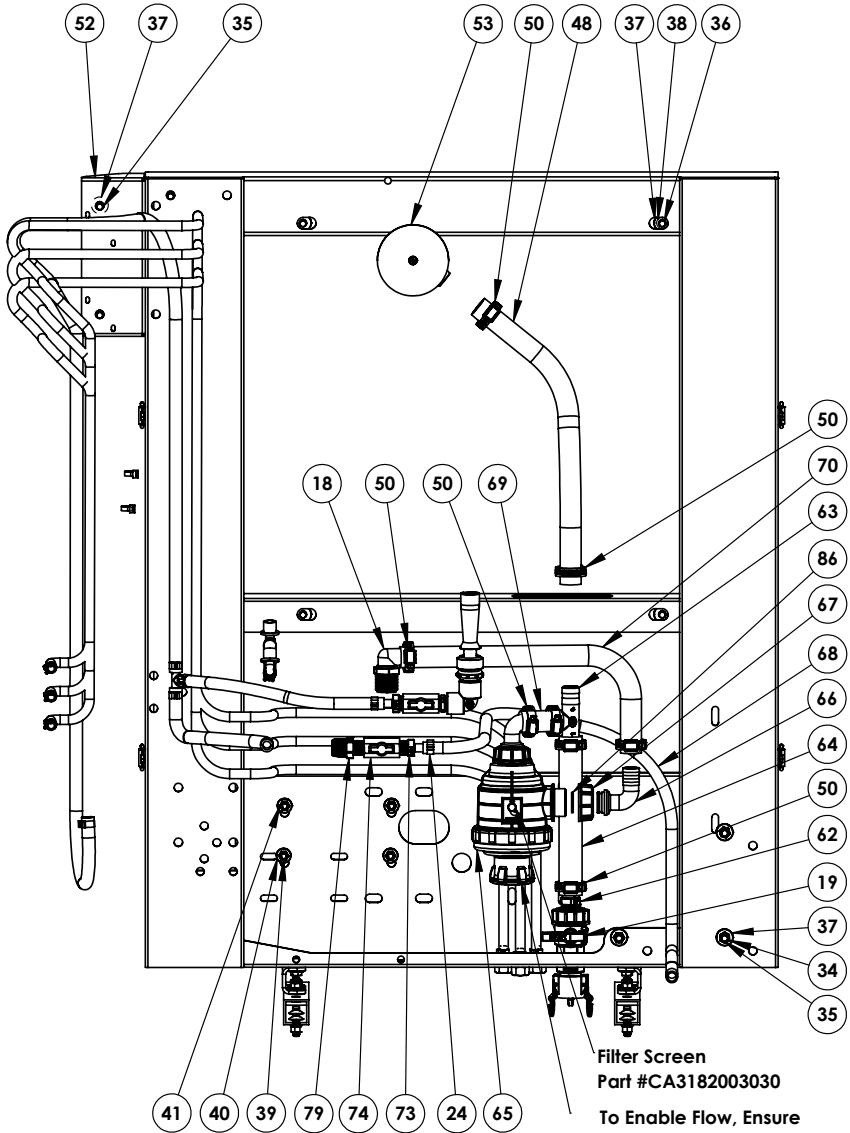
OVERVIEW



DETAIL VIEW A



DETAIL VIEW B



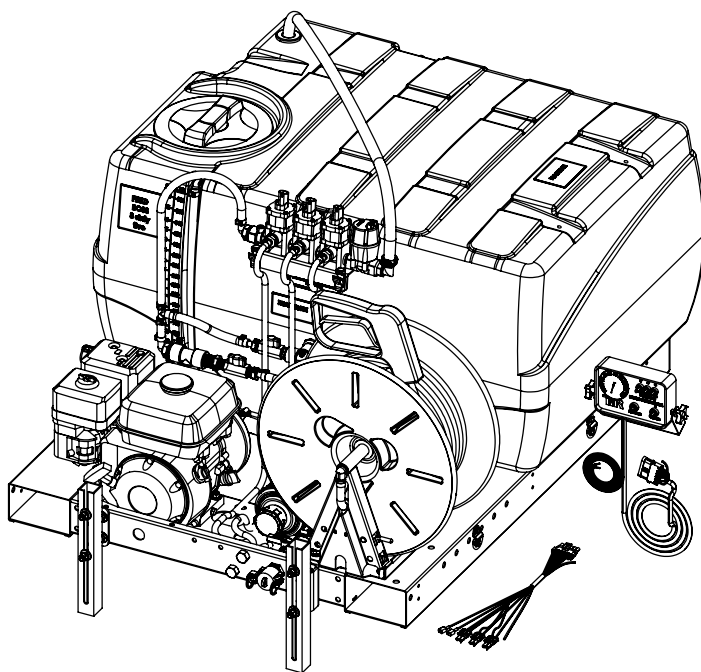
PARTS LIST

ITEM NO.	Part #	DESCRIPTION	QTY.
1	AZFB060B	Base only for FB	1
2	AZFB060A	SWING ARM	1
3	AZFB060AB	SWING ARM BASE	1
4	AZFB060AB-3	Spring tension bracket	1
5	AZFB060D	D-RINGS & HARDWARE	4
6	CA300116	8 inch filter basket	1
7	CA3511221	8 inch lid	1
8	CDGN03	1 Inch press fit hose grommet	1
9	CHMS900213	10-32 - 1/2 Pan head screw	2
10	CPFG10	5/8 Top hat grommet	4
11	CPFG15	3/4 Press fit hose grommet	1
12	CPFG16	2 inch ID Grommet	1
13	CVGC100	Wand Clip	2
14	CTMD010	4 X 4 Field Boss 365 logo	1
15	CXLT0007	3 X 4 Caution Label	1
16	CXLT0008	2 X 4 Warning Label	1
17	CXP0005	4 x 2 rectangular plug	1
18	CFPE05M05B	1 MNPT x 1 Hose Barb 90	2
19	CVPBV234	3/4 FPT Union Valve	1
20	CB075F	3/4 Male Adaptor x 3/4 MPT	1
21	CB075CAP	1/2 and 3/4 Camlock cap	1
22	CHWZF105	1 SAE Flat Washer	2
23	CFCC002	CLAMP FOR 3/8" HOSE	6
24	CFCC003	Clamp for 1/2" Hose	12
25	CXSC0002	Cable Tie 8"	2
26	CPFW01	1/2 Nylon flat washer	2
27	CHMS050523A	1/2 x 1 Panhead hex drive bolt	2
28	CHNZN0525	1/2" Nylock Nut	2
29	CHBZ010725	1/4 X 1-1/2 Bolt	1
30	CHNZH0125	1/4 nut	1
31	CHNZN0125	1/4 Nylock nut	13
32	CHPZE	extension spring	1
33	CHBZ010325	1/4 X 3/4 Bolt	2
34	CHNZN0325	3/8" Nylock Nut	14
35	CHBZ030525	3/8" x 1" Bolt	14
36	CHBZ030425	3/8 x 3/4 bolt	4
37	CHWZF035	3/8" Flat Washer	36
38	CHWZL035	3/8 Lock washer	8
39	CHBZ020725	5/16 x 1-1/2 bolt	4
40	CHWZF025	5/16 Flat washer	17
41	CHNZN0225	5/16 Nylock nut	4
42	CV3EL12HB	1/2 X 1/2 hose barb 90 degree	4
43	CHBZ011125	1/4 x 2-1/2 Bolt	2
44	CHBZ010225	1/4 X 1/2 Bolt	8

PARTS LIST

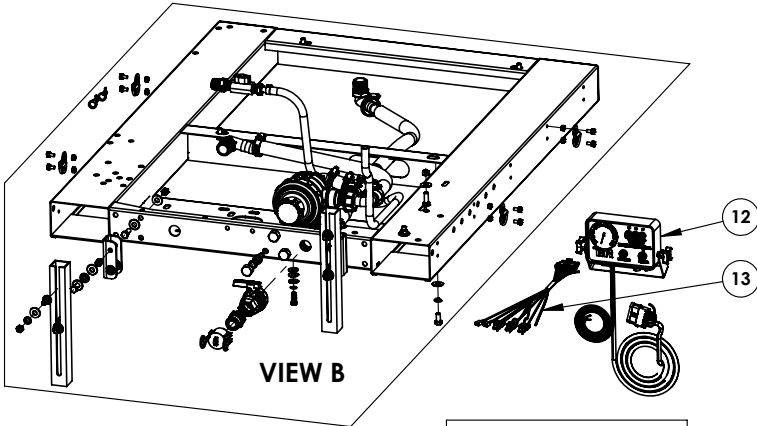
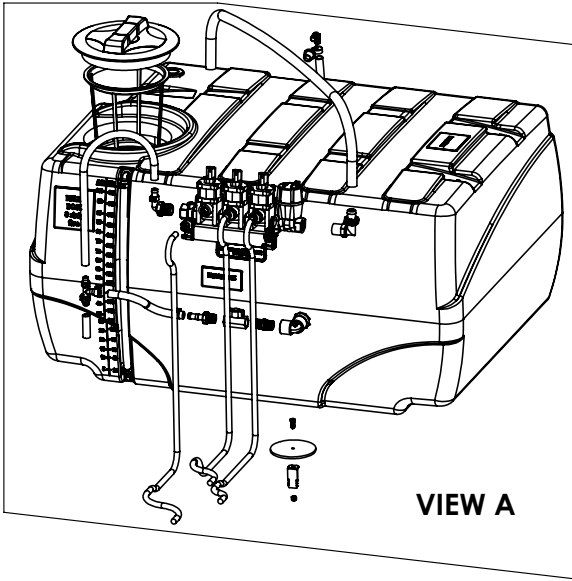
ITEM NO.	Part #	DESCRIPTION	QTY.
45	CLUESB020001	3/8 EPDM HOSE	3
46	CLUESB020002	1/2 EPDM HOSE	1
47	CLUESB020004	3/4 EPDM HOSE	1
48	CLUESB020005	1 EPDM hose	1
49	CLUVGC02502	1/2 Site gauge hose	2
50	CFCW003	Clamp For 1" Hose	8
51	CFCW001	Clamp For 3/4" Hose	1
52	AZKF0008	Field Boss Arm Ext-Solenoid Bracket	1
53	AMAVFB	4-1/2 Anti vortex plastic	1
54	CHMS010333	1/4" x 3/4" SS Panhead Phillips Bolt	1
55	CHNSN0123	1/4" Stainless Lock Nut	1
56	AZFB060F	Anti Vortex Bracket for Field Boss Tank	1
57	AMTHSFB100FG	100 Gallon FB tank	1
58	AMTHSFB060FG	60 Gallon FB tank	1
59	AZKB0004	ADJUSTABLE BOOM BRACKET	2
60	CHBZ030525C	3/8" x 1 Carriage Bolt	4
61	CHNZH0325	3/8" Nut	4
62	CBHB075100	3/4 MNPT x 1 Hose Shank	1
63	CBHBT100	1 Hose Barb Tee	1
64	CLUESB020005	1 EPDM hose	1
65	CA3132453	Automatic filter 1-1/4	1
66	CA116525	Hosetail D. IN for Fly-Nut 1	2
67	CA2002050	Fly-Nut 1-1/4	2
68	CLUESB020002	1/2 EPDM hose	1
69	CLUESB020005	1 EPDM hose	1
70	CLUESB020005	1 EPDM hose	1
71	CHBZ800625	8 x 1.25 x 25MM Hex Head 8.8	3
72	CHWZL025	5-16 Lock Washer	3
73	CFPS02M02B	1/2 MNPT x 1/2 Hose Barb	2
74	CVS34DX1	1/2 FIP x 1/2 FIP T-Handle Ball Valve	2
75	AZFB060J	Field Boss Boom Mount Spacer	2
76	CFBU01B02M	3/8 Union nipple 1/2 male thread	4
77	CFBU02G	rubber washer for brass cap	3
78	CFBU02C	Brass Cap-GH	3
79	CBRN075050	3/4 to 1/2 Reducing Nipple	1
80	CPSB01	10MM Site Glass Ball Level Indicator	2
81	CA502020	Agitator	1
82	CBEL05090	1/2 FNPT Poly Pipe Elbow 90	1
83	CBNIP050SH	.5 IN Short Poly Nipple	1
84	CFPT02B	1/2HB x 1/2HB x 1/2 HB TEE	1
85	CLUESB020002	1/2" EPDM Hose	1
86	CAG10051	O Ring EPDM	2
87	CLUESB020002	1/2 EPDM HOSE	1
88	CHWNR03	Self retaining washer for 3/8 and M9	4

FIELD BOSS™ 365

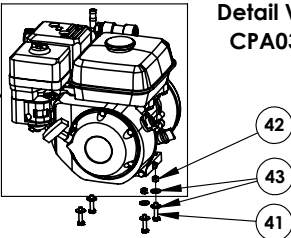


SFB100FG225GH-ES

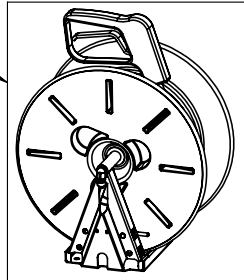
OVERVIEW



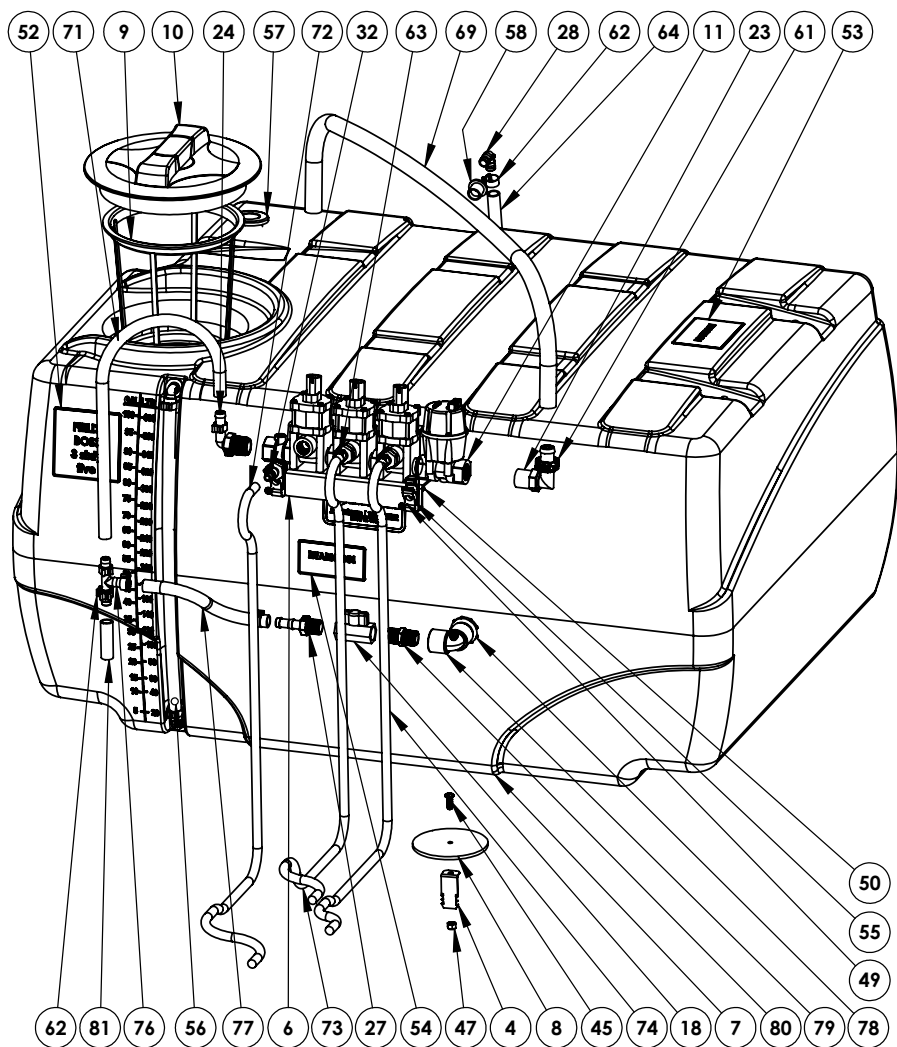
Detail View
CPA0365



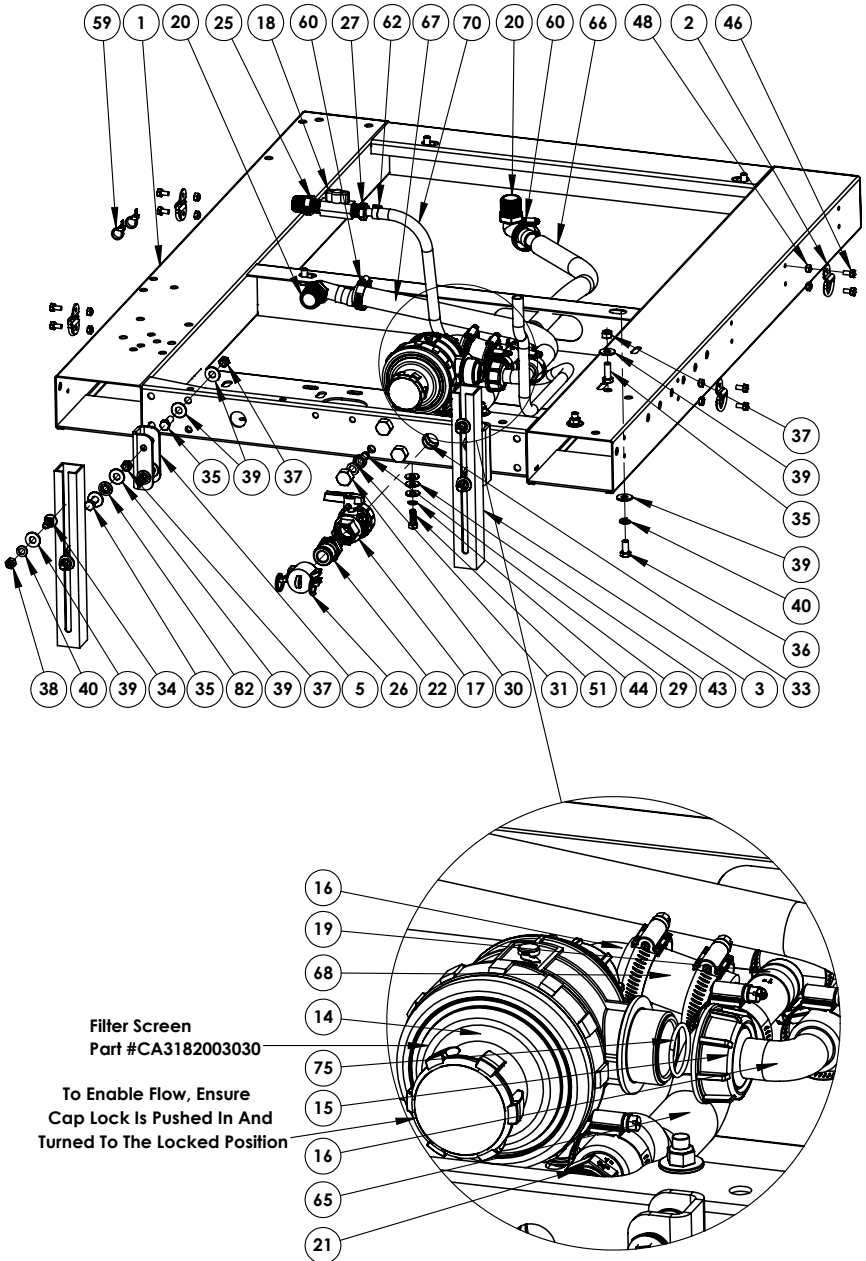
Detail View
CPA0367



DETAIL VIEW A



DETAIL VIEW B



PARTS LIST

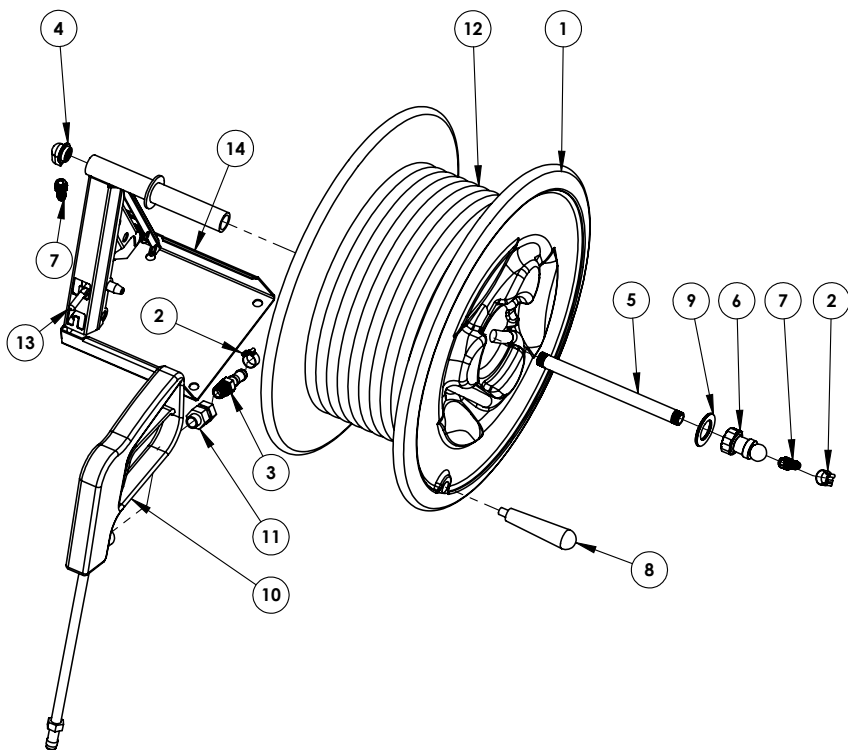
ITEM NO.	PART #	DESCRIPTION	QTY.
1	AZFB060B	Base only for FB	1
2	AZFB060D	D-RINGS & HARDWARE	4
3	AZKB0004	ADJUSTABLE BOOM BRACKET	2
4	AZFB060F	Anti Vortex Bracket for Field Boss Tank	1
5	AZFB060J	Field Boss Boom Mount Spacer	2
6	AZFB060K	Field Boss Electric Solenoid Bracket	1
7	AMTHSFB100FG	100 Gallon FB tank	1
8	AMAVFB	4-1/2 Anti vortex plastic	1
9	CA300116	8 inch filter basket	1
10	CA3511221	8 inch lid	1
11	CFXES04	RC-1B System with 2502B-3 Solenoid Valve	1
12	CFXES04 - CU	CFXES04 - Control Unit	1
13	CFXES04 - WH	CFXES04 - Wire harness	1
14	CA3132453	Automatic filter 1-1/4	1
15	CA2002050	Fly-Nut 1-1/4	2
16	CA116525	Hosetail D. IN for Fly-Nut 1	2
17	CVPBV234	3/4 FPT Union Valve	1
18	CVS34DX1	1/2 FIP x 1/2 FIP T-Handle Ball Valve	2
19	CBHBT100	1 Hose Barb Tee	1
20	CFPE05M05B	1 MNPT x 1 Hose Barb 90	2
21	CBHB075100	3/4 MNPT x 1 Hose Shank	1
22	CB075F	3/4 Male Adaptor x 3/4 MPT	1
23	CFPE04M04B	3/4 MNPT x 3/4 Hose Barb 90	1
24	CFPE04M02B	3/4 MNPT x 1/2 Hose Barb 90	1
25	CBRN075050	3/4 to 1/2 Reducing Nipple	1
26	CB075CAP	1/2 and 3/4 Camlock cap	1
27	CFPS02M02B	1/2 MNPT x 1/2 Hose Barb	2
28	CV3EL12HB	1/2 X 1/2 hose barb 90 degree	4
29	CFBU01B02M	3/8 Union nipple 1/2 male thread	3
30	CFBU02C	Brass Cap-GH	3
31	CFBU02G	rubber washer for brass cap	3
32	CFPS02M01B	1/2 MNPT x 3/8 Hose Barb	3
33	CHWZF105	1 SAE Flat Washer	2
34	CHBZ030525C	3/8" x 1 Carriage Bolt	4
35	CHBZ030525	3/8" x 1" Bolt	11
36	CHBZ030425	3/8 x 3/4 bolt	4
37	CHNZN0325	3/8" Nylock Nut	11
38	CHNZH0325	3/8" Nut	4
39	CHWZF035	3/8" Flat Washer	30
40	CHWZL035	3/8 Lock washer	8
41	CHBZ020725	5/16 x 1-1/2 bolt	4
42	CHNZN0225	5/16 Nylock nut	4
43	CHWZF025	5/16 Flat washer	17
44	CHWZL025	5-16 LOCK WASHER	3
45	CHMS010333	1/4" X 3/4" SS PANHEAD PHILLIPS BOLT	1

PARTS LIST

ITEM NO.	PART #	DESCRIPTION	QTY.
46	CHBZ010225	1/4 X 1/2 BOLT	8
47	CHNSN0123	1/4" STAINLESS LOCK NUT	1
48	CHNZN0125	1/4 NYLOCK NUT	8
49	CHMS900213	10-32 - 1/2 PAN HEAD SCREW	4
50	CHNSN903	10-32 18-8 SS LOCKNUT	2
51	CHBZ800625	8 X 1.25 X 25MM HEX HEAD 8.8	3
52	CTMD010	4 X 4 FIELD BOSS 365 LOGO	1
53	CXLT0007	3 X 4 CAUTION LABEL	1
54	CXLT0008	2 X 4 WARNING LABEL	1
55	CVGC100	WAND CLIP	2
56	CPSB01	10MM SITE GLASS BALL LEVEL INDICATOR	2
57	CPFG15	3/4 PRESS FIT HOSE GROMMET	1
58	CPFG10	5/8 TOP HAT GROMMET	4
59	CXSC0002	CABLE TIE 8"	2
60	CFCW003	CLAMP FOR 1" HOSE	8
61	CFCW001	CLAMP FOR 3/4" HOSE	1
62	CFCC003	CLAMP FOR 1/2" HOSE	12
63	CFCC002	CLAMP FOR 3/8" HOSE	6
64	CLUVGC02502	1/2 Site gauge hose	2
65	CLUESB020005	1 EPDM hose	1
66	CLUESB020005	1 EPDM hose	1
67	CLUESB020005	1 EPDM HOSE	1
68	CLUESB020005	1 EPDM HOSE	1
69	CLUESB020004	3/4 EPDM HOSE	1
70	CLUESB020002	1/2 EPDM hose	1
71	CLUESB020002	1/2 EPDM HOSE	1
72	CLUESB020001	3/8 EPDM HOSE	1
73	CLUESB020001	3/8 EPDM HOSE	1
74	CLUESB020001	3/8 EPDM HOSE	1
75	CAG10051	O Ring EPDM	2
76	CFPT02B	1/2HB x 1/2HB x 1/2 HB TEE	1
77	CLUESB020002	1/2" EPDM Hose	1
78	CA502020	Agitator	1
79	CBEL05090	1/2 FNPT Poly Pipe Elbow 90	1
80	CBNIP050SH	.5 IN Short Poly Nipple	1
81	CLUESB020002	1/2 EPDM HOSE	1
82	CHWNR03	Self retaining washer for 3/8 and M9	4

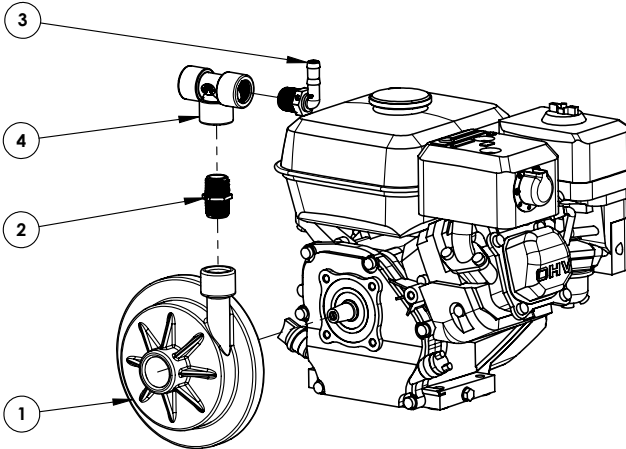
DETAIL VIEW CPA0367

ITEM NO.	PART #	DESCRIPTION	QTY.
1	AMAH01GY	HR030/050 REEL ONLY	1
2	CFCC003	Clamp for 1/2" Hose	2
3	CFPS01M02B	3/8 MPT X 1/2 HOSE BARB	1
4	CFRB06	1/4-3/8 BSP FEMALE ELBOW	1
5	CFRB07	STAINLESS PIPE 3/8 THREAD BOTH ENDS	1
6	CFRB08	3/8 X 1/4 BALL BEARING SWIVEL	1
7	CFRB09	1/4 MALE THREAD X 1/2 HOSE BARB	2
8	CFRH03C	PHENOIC TAPERED HANDLE	1
9	CHWZF105	1 SAE Flat Washer	1
10	CVSTAL26SH	SPRAY GUN 9 INCH BARREL	1
11	CVSW038	3/8 FNPT X 3/8 MNPT SWIVEL	1
12	CLUESB020002	1/2 EPDM HOSE - 50"	1
13	AZKH0018	Lock for Small Hose Reel	1
14	AZKH0003	30-50 Base Mount HR Frame	1



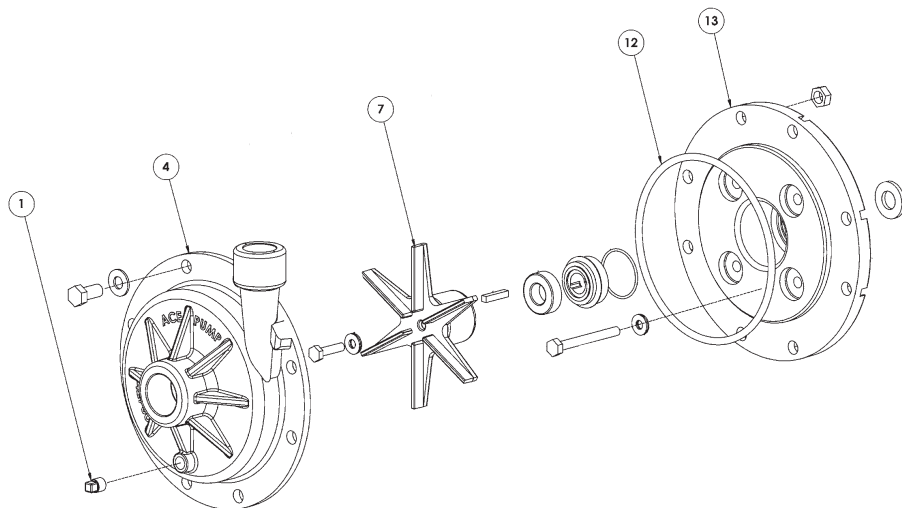
DETAIL VIEW CPA0365

ITEM NO.	PART #	DESCRIPTION	QTY.
1	APKC04P	3/4 Ace Poly Centrifugal Pump	1
2	CFPN04M04M	3/4 Short Nipple	1
3	CFPE04M02B	3/4 MNPT x 1/2 Hose Barb 90	1
4	CBTEE075	3/4 Poly Pipe Tee	1



PUMP BREAKDOWN

ITEM NO.	PART #	DESCRIPTION	QTY.
1	CPPAP001	Pipe Plug, 1/8" NPT, plastic	1
4	CPPAP002	Volute, 3/4" x 1", polypropylene	2
7	CPPAP003	Impeller, with keyway, polypropylene	1
12	CPPAP004	O-ring, volute seal, GE-85	1
13	CPPAP005	Bracket, GE-85, polypropylene	1
	CPPAK001	Repair kit for GE-85	



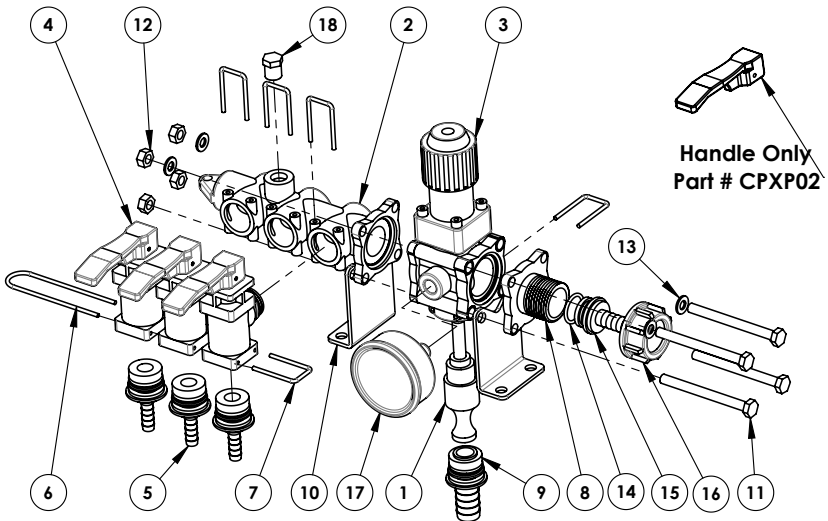
DETAIL VIEW CPA0006

CA463CDP02 parts:

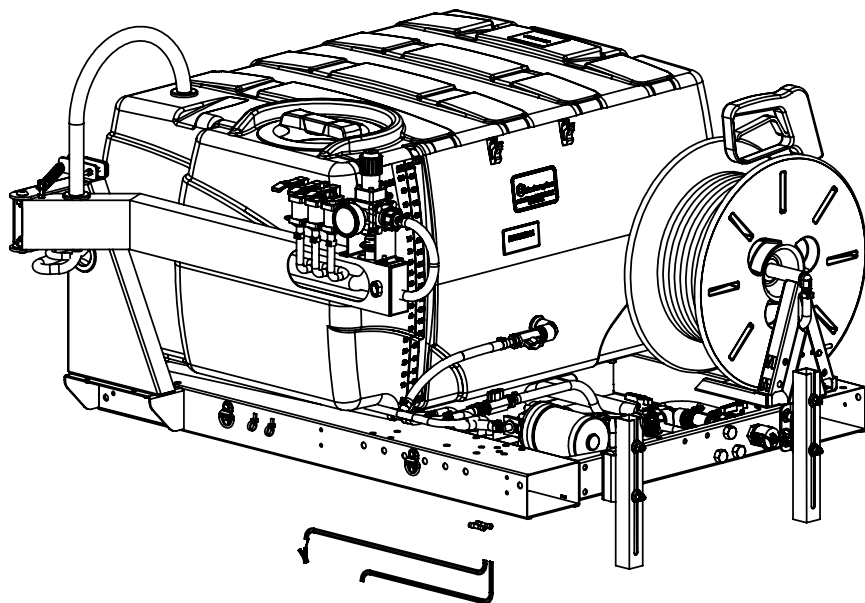
ITEM NO.	PART #	DESCRIPTION	QTY.
1	CA463080510	Valve Stem Kit for 463080	1
2	CA461030010	Manifold Body for 3-way outlet	1
3	CA463080	Pressure Relief Control Valve asm.	1
4	CA464402151	Single Auxiliary Cock for Valve	3
5	CA463001A10	3/8" Hose barb for valve 463 c/w oring	3
6	CA10012	Large Fork Pin	1
7	CA10002	Small Fork Pin	5
8	CA463000040	1 inch Male BSP adapter	1
9	CA463080A19	3/4" Hose barb for valve 463 w/ o-ring	1
10	CA463911100	Mounting Bracket	2
11	CHBZ801425	8 X 3 5-16" bolt HEX HEAD 8.8	4
12	CHNZN0885	8 NYLOC NUT ZINC HEX NUT	4
13	CHWZF885	8 MM FLAT WASHER 8.8	4

CPA0006 includes CA463CDP02 parts and:

ITEM NO.	PART #	DESCRIPTION	QTY.
14	CAG10041	Gasket 20mm, hosetail	1
15	CA106413	Hosetail - 1/2 diameter for Fly nut 1 inch	1
16	CA2002040	Fly Nut 1 inch	1
17	CV2240GXB100	Pressure gauge 100psi Glycerin filled	1
18	CFBP00M	1/4 NPT Hex Brass Plug	1

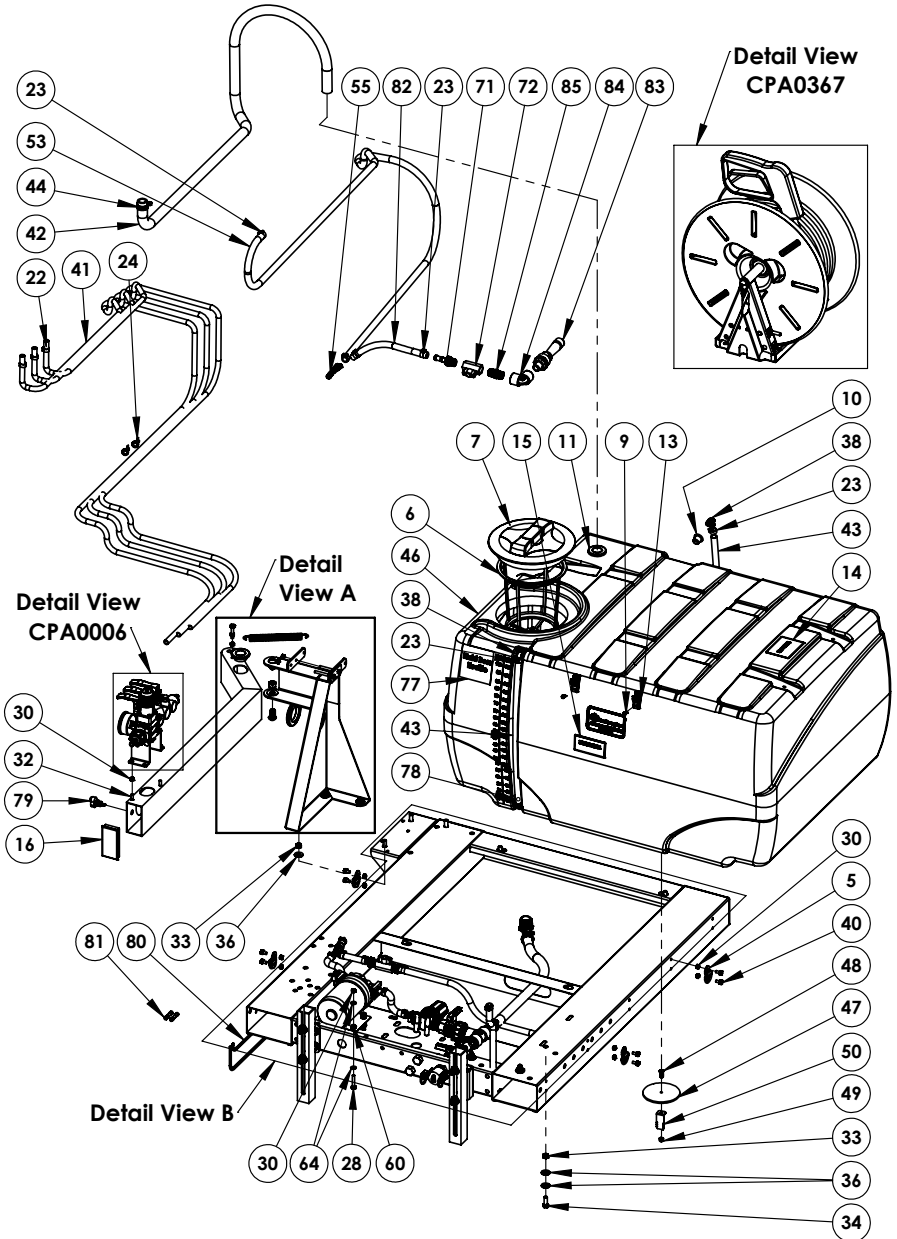


FIELD BOSS™ ECOLITE

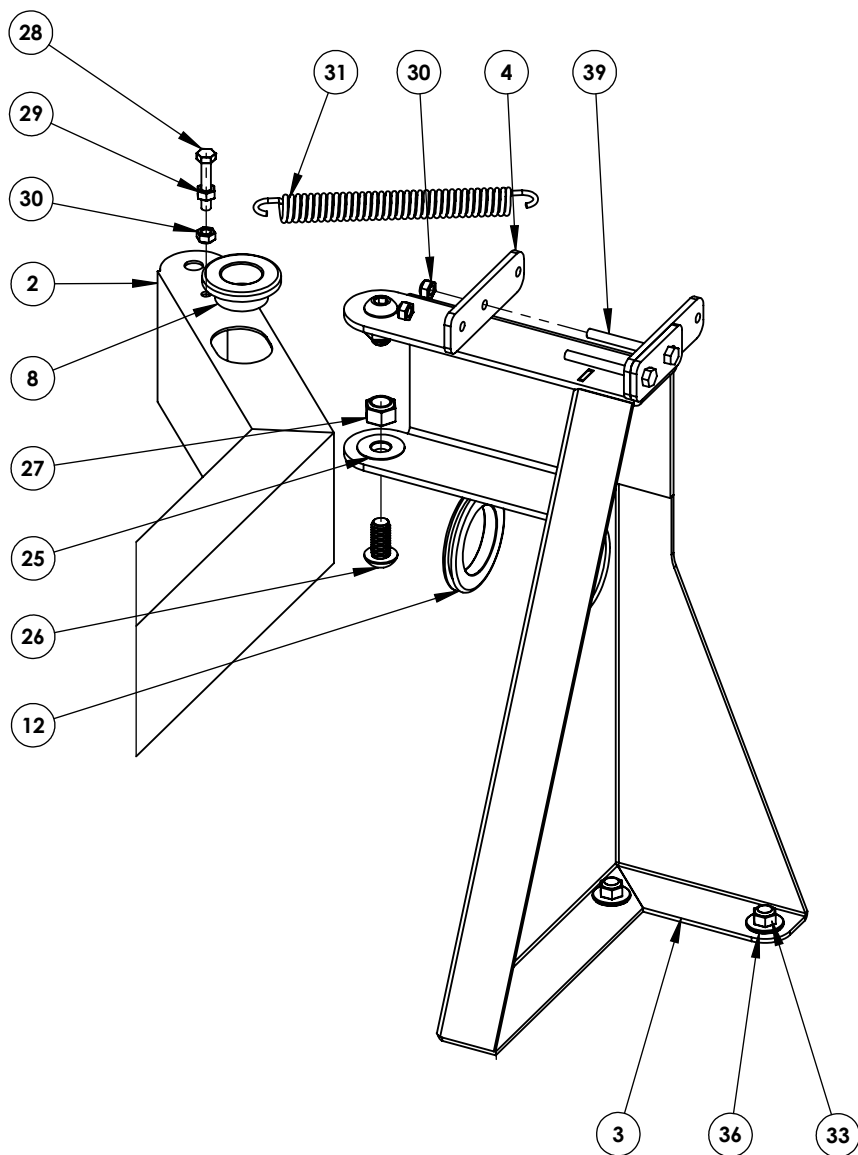


SFB100FG712V

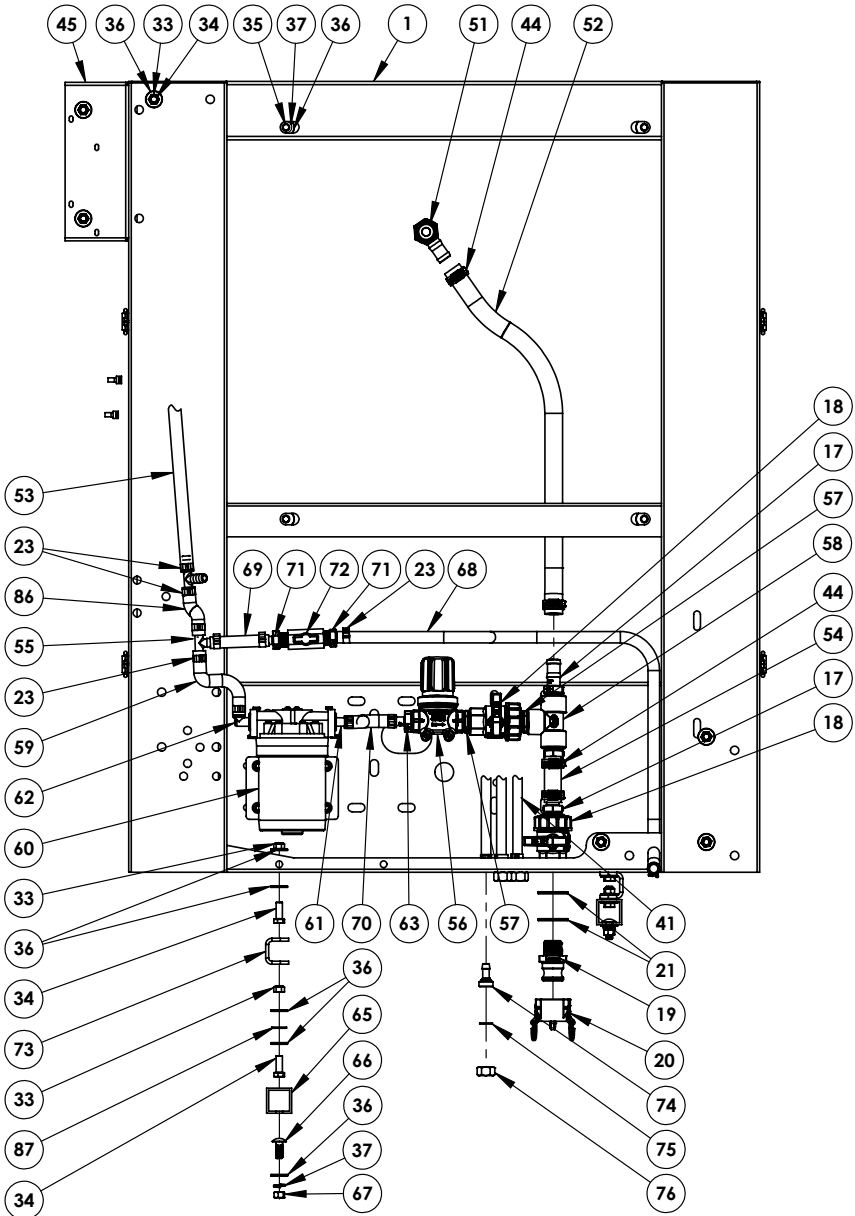
OVERVIEW



DETAIL VIEW A



DETAIL VIEW B



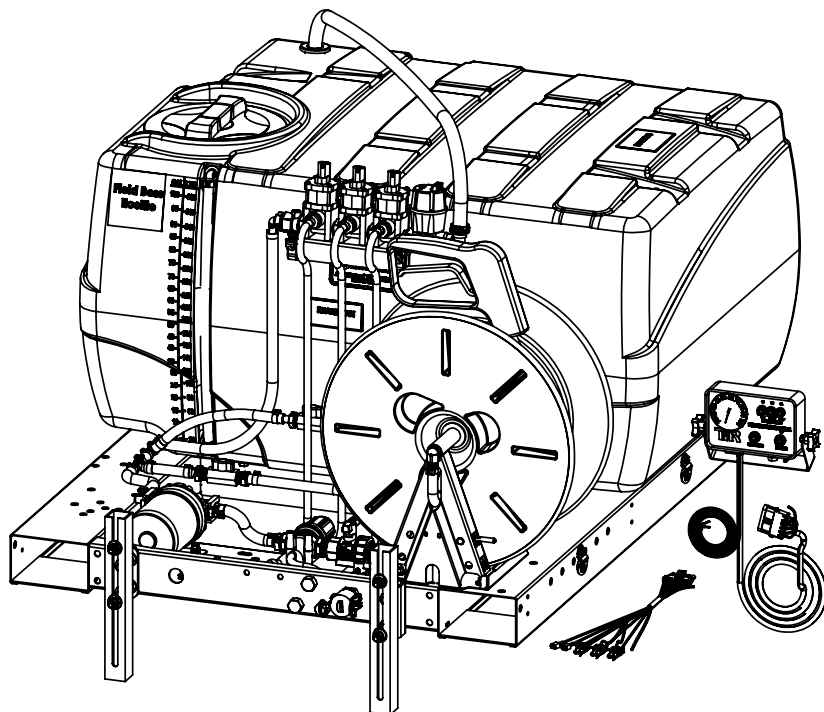
PARTS LIST

ITEM NO.	Part #	DESCRIPTION	QTY.
1	AZFB060B	Base only for FB	1
2	AZFB060A	SWING ARM	1
3	AZFB060AB	SWING ARM BASE	1
4	AZFB060AB-3	Spring tension bracket	1
5	AZFB060D	D-RINGS & HARDWARE	4
6	CA300116	8 inch filter basket	1
7	CA3511221	8 inch lid	1
8	CDGN03	1 Inch press fit hose grommet	1
9	CHMS900213	10-32 - 1/2 Pan head screw	2
10	CPFG10	5/8 Top hat grommet	4
11	CPFG15	3/4 Press fit hose grommet	1
12	CPFG16	2 inch ID Grommet	1
13	CVGC100	Wand Clip	2
14	CXLT0007	3 X 4 Caution Label	1
15	CXLT0008	2 X 4 Warning Label	1
16	CXP0005	4 x 2 rectangular plug	1
17	CFPS04M04B	3/4 MNPT To 3/4 Hose Shank	3
18	CVPBV234	3/4 FPT Union Valve	2
19	CB075F	3/4 Male Adaptor x 3/4 MPT	1
20	CB075CAP	1/2 and 3/4 Camlock cap	1
21	CHWZF105	1 SAE Flat Washer	2
22	CFCC002	CLAMP FOR 3/8" HOSE	6
23	CFCC003	Clamp for 1/2" Hose	18
24	CXSC0002	Cable Tie 8"	2
25	CPFW01	1/2 Nylon flat washer	2
26	CHMS050523A	1/2 x 1 Panhead hex drive bolt	2
27	CHNZN0525	1/2" Nylock Nut	2
28	CHBZ010725	1/4 X 1-1/2 Bolt	5
29	CHNZH0125	1/4 nut	1
30	CHNZN0125	1/4 Nylock nut	17
31	CHPZFE	extension spring	1
32	CHBZ010325	1/4 X 3/4 Bolt	2
33	CHNZN0325	3/8" Nylock Nut	14
34	CHBZ030525	3/8" x 1" Bolt	14
35	CHBZ030425	3/8 x 3/4 bolt	4
36	CHWZF035	3/8" Flat Washer	36
37	CHWZL035	3/8 Lock washer	8
38	CV3EL12HB	1/2 X 1/2 hose barb 90 degree	4
39	CHBZ011125	1/4 x 2-1/2 Bolt	2
40	CHBZ010225	1/4 X 1/2 Bolt	8
41	CLUESB020001	3/8 EPDM HOSE	3
42	CLUESB020004	3/4 EPDM HOSE	1
43	CLUVGC02502	1/2 Site gauge hose	2
44	CFCW001	Clamp For 3/4" Hose	5

PARTS LIST

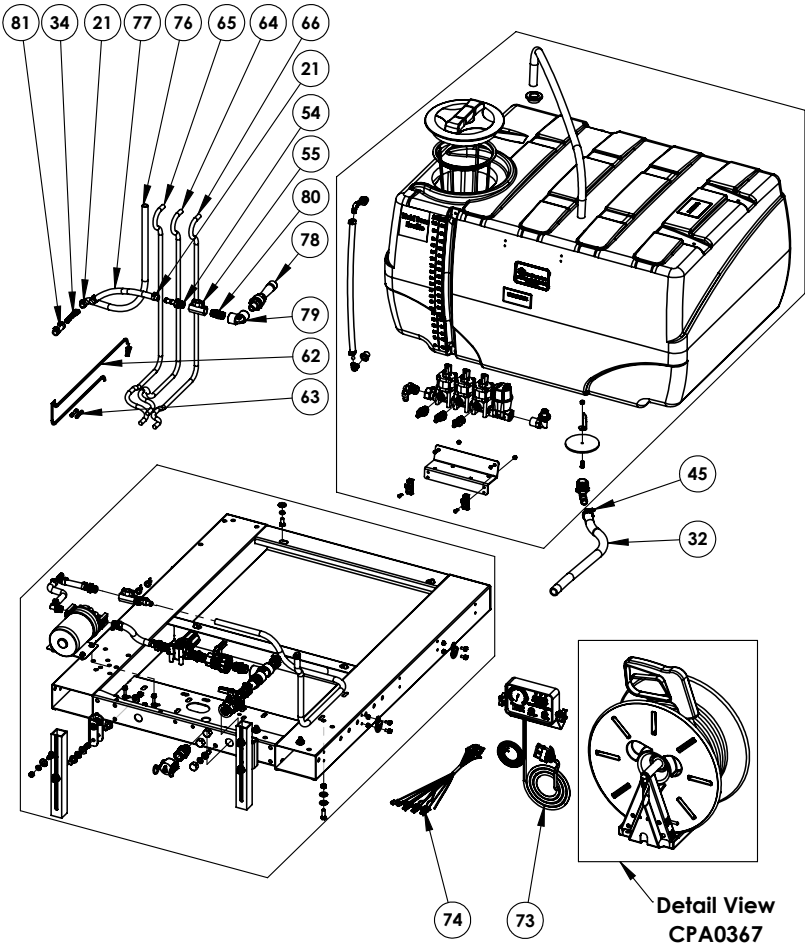
ITEM NO.	Part #	DESCRIPTION	QTY.
45	AZKF0008	Field Boss Arm Ext-Solenoid Bracket	1
46	AMTHSFB100FG	100 Gallon FB tank	1
47	AMAVFB	4-1/2 Anti vortex plastic	1
48	CHMS010333	1/4" x 3/4" SS Panhead Phillips Bolt	1
49	CHNSN0123	1/4" Stainless Lock Nut	1
50	AZFB060F	Anti Vortex Bracket for Field Boss Tank	1
51	CFPE05M04B	1 MPT x .75 Hose Barb 90	1
52	CLUESB020004	3/4 EPDM Hose	1
53	CLUESB020002	1/2 EPDM HOSE --- 8.5'	1
54	CLUESB020004	3/4 EPDM Hose	1
55	CFPT02B	1/2HB x 1/2HB x 1/2 HB TEE	2
56	CBLSTM07550	3/4 T-Strainer with Mesh Screen	1
57	CFPN04M04M	3/4 Short Nipple	2
58	CBTEE075	3/4 Poly Pipe Tee	1
59	CLUESB020002	1/2 EPDM Hose	1
60	APD07G060PQB	7 GPM 60PSI, Bypass, 1/2" Quick Attach	1
61	CPPDD003	5900 Series 1/2" Straight	1
62	CPPDD006	5900 Series 1/2" Elbow 90	1
63	CFPS04M02B	3/4 MPT X 1/2 Hose Barb	1
64	CHWZF015	1/4" Flat Washer	8
65	AZKB0004	ADJUSTABLE BOOM BRACKET	2
66	CHBZ030525C	3/8" x 1 Carriage Bolt	4
67	CHNZH0325	3/8" Nut	4
68	CLUESB020002	1/2 EPDM Hose	1
69	CLUESB020002	1/2 EPDM Hose	1
70	CLUESB020002	1/2 EPDM Hose	1
71	CFPS02M02B	1/2 MNPT x 1/2 Hose Barb	3
72	CVS34DX1	1/2 FIP x 1/2 FIP T-Handle Ball Valve	2
73	AZFB060J	Field Boss Boom Mount Spacer	2
74	CFBU01B02M	3/8 Union nipple 1/2 male thread	3
75	CFBU02G	rubber washer for brass cap	3
76	CFBU02C	Brass Cap-GH	3
77	CTMD009	4 X 4 Field Boss Ecolite Logo	1
78	CPSB01	10MM Site Glass Ball Level Indicator	2
79	CPPPS01	Eco-lite on/off switch	1
80	CEWCFB	12GA Cable FB Wire Harness	1
81	CTEW029	Buff Connector Crimp	2
82	CLUESB020002	1/2" EPDM Hose	1
83	CA502020	Agitator	1
84	CBELO5090	1/2 FNPT Poly Pipe Elbow 90	1
85	CBNIP050SH	.5 IN Short Poly Nipple	1
86	CLUESB020002	1/2 hose from pump to HB tee-ecolite	1
87	CHWNR03	Self retaining washer for 3/8 and M9	4

FIELD BOSS™ ECOLITE

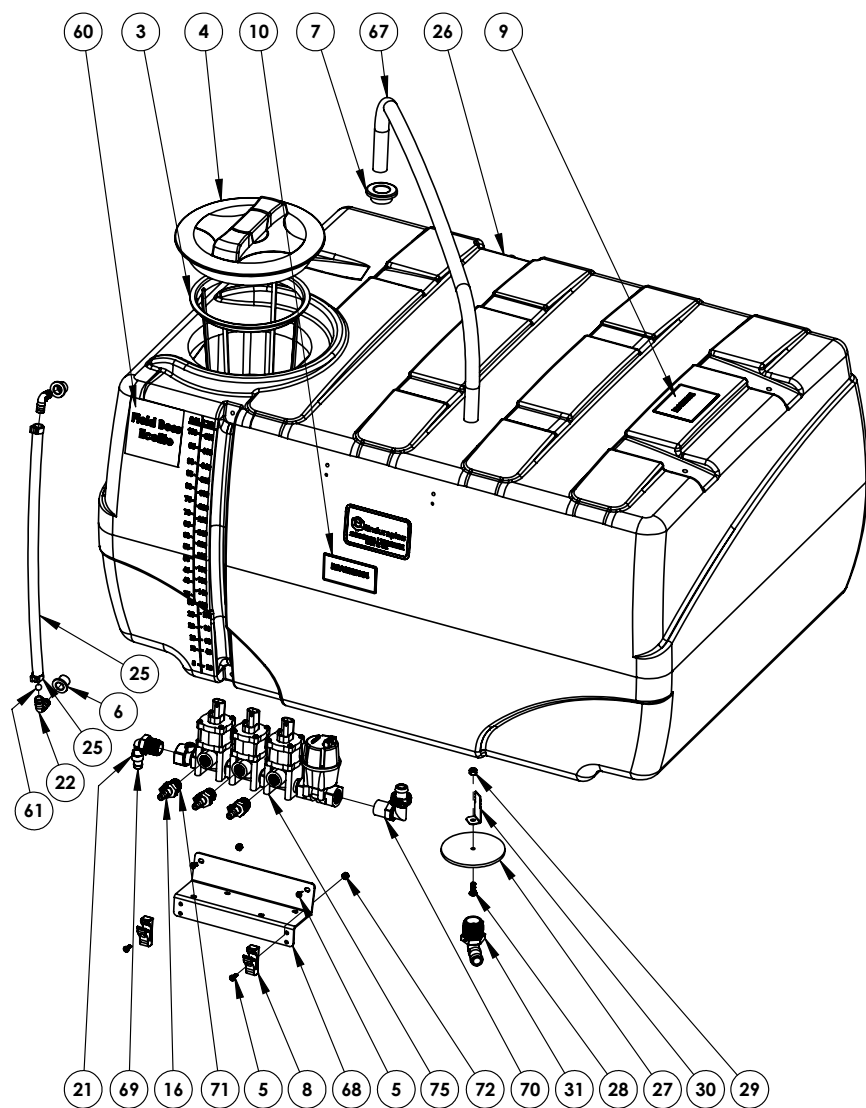


SFB100FG712V-ES

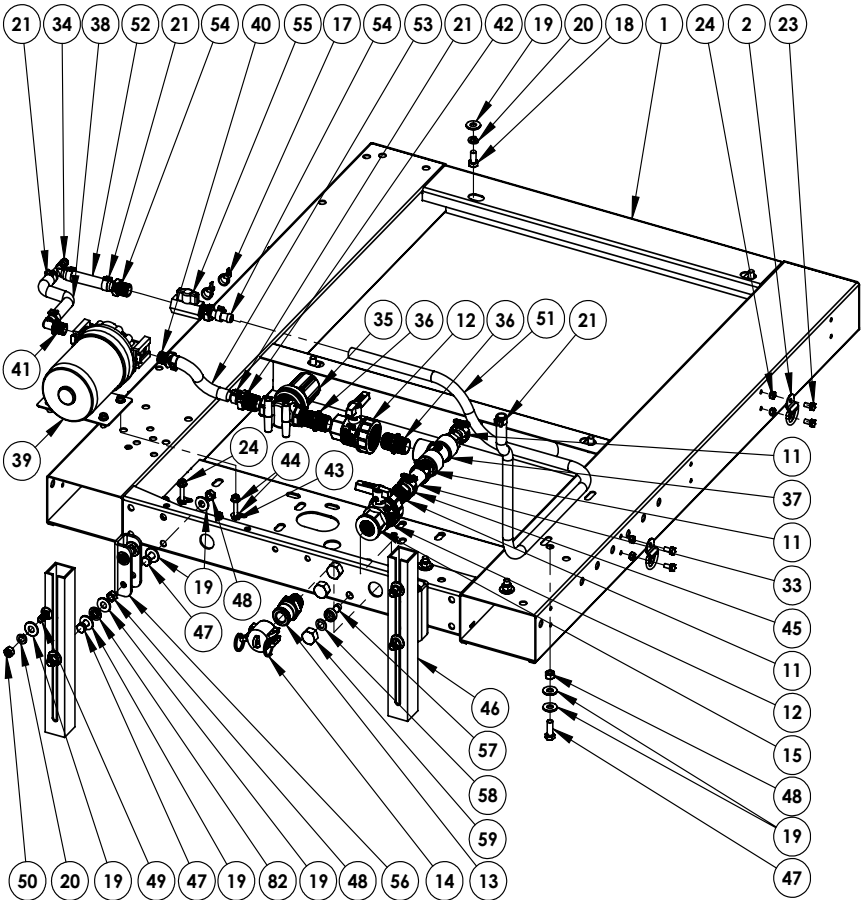
OVERVIEW



DETAIL VIEW A



DETAIL VIEW B



PARTS LIST

ITEM NO.	Part #	DESCRIPTION	QTY.
1	AZFB060B	Base only for FB	1
2	AZFB060D	D-RINGS & HARDWARE	4
3	CA300116	8 inch filter basket	1
4	CA3511221	8 inch lid	1
5	CHMS900213	10-32 - 1/2 Pan head screw	4
6	CPFG10	5/8 Top hat grommet	4
7	CPFG15	3/4 Press fit hose grommet	1
8	CVGC100	Wand Clip	2
9	CXLT0007	3 X 4 Caution Label	1
10	CXLT0008	2 X 4 Warning Label	1
11	CFPS04M04B	3/4 MNPT To 3/4 Hose Shank	3
12	CVPBV234	3/4 FPT Union Valve	2
13	CB075F	3/4 Male Adaptor x 3/4 MPT	1
14	CB075CAP	1/2 and 3/4 Camlock cap	1
15	CHWZF105	1 SAE Flat Washer	2
16	CFCC002	CLAMP FOR 3/8" HOSE	6
17	CXSC0002	Cable Tie 8"	2
18	CHBZ030425	3/8 x 3/4 bolt	4
19	CHWZF035	3/8" Flat Washer	30
20	CHWZL035	3/8 Lock washer	8
21	CFCC003	Clamp for 1/2" Hose	18
22	CV3EL12HB	1/2 X 1/2 hose barb 90 degree	4
23	CHBZ010225	1/4 X 1/2 Bolt	8
24	CHNZN0125	1/4 Nylock nut	12
25	CLUVGC02502	1/2 Site gauge hose	2
26	AMTHSFB100FG	100 Gallon FB tank	1
27	AMAVFB	4-1/2 Anti vortex plastic	1
28	CHMS010333	1/4" x 3/4" SS Panhead Phillips Bolt	1
29	CHNSN0123	1/4" Stainless Lock Nut	1
30	AZFB060F	Anti Vortex Bracket for Field Boss Tank	1
31	CFPE05M04B	1 MPT x .75 Hose Barb 90	1
32	CLUESB020004	3/4 EPDM Hose	1
33	CLUESB020004	3/4 EPDM Hose	1
34	CFPT02B	1/2HB x 1/2HB x 1/2 HB TEE	2
35	CBLSTM07550	3/4 T-Strainer with Mesh Screen	1
36	CFPN04M04M	3/4 Short Nipple	2
37	CBTEE075	3/4 Poly Pipe Tee	1
38	CLUESB020002	1/2 EPDM Hose	1
39	APD07G060PQB	7 GPM 60PSI, Bypass, 1/2" Quick Attach	1
40	CPPDD003	5900 Series 1/2" Straight	1
41	CPPDD006	5900 Series 1/2" Elbow 90	1
42	CFPS04M02B	3/4 MPT X 1/2 Hose Barb	1
43	CHBZ010725	1/4 X 1-1/2 Bolt	4
44	CHWZF015	1/4" Flat Washer	8

PARTS LIST

ITEM NO.	Part #	DESCRIPTION	QTY.
45	CFCW001	Clamp For 3/4" Hose	5
46	AZKB0004	ADJUSTABLE BOOM BRACKET	2
47	CHBZ030525	3/8" x 1" Bolt	11
48	CHNZN0325	3/8" Nylock Nut	11
49	CHBZ030525C	3/8" x 1 Carriage Bolt	4
50	CHNZH0325	3/8" Nut	4
51	CLUESB020002	1/2 EPDM Hose	1
52	CLUESB020002	1/2 EPDM Hose	1
53	CLUESB020002	1/2 EPDM Hose	1
54	CFPS02M02B	1/2 MNPT x 1/2 Hose Barb	3
55	CVS34DX1	1/2 FIP x 1/2 FIP T-Handle Ball Valve	2
56	AZFB060J	Field Boss Boom Mount Spacer	2
57	CFBU01B02M	3/8 Union nipple 1/2 male thread	3
58	CFBU02G	rubber washer for brass cap	3
59	CFBU02C	Brass Cap-GH	3
60	CTMD009	4 X 4 Field Boss Ecolite Logo	1
61	CPSB01	10MM Site Glass Ball Level Indicator	2
62	CEWCFB	12GA Cable FB Wire Harness	1
63	CTEW029	Butt Connector Crimp	2
64	CLUESB020001	3/8 EPDM HOSE	1
65	CLUESB020001	3/8 EPDM HOSE	1
66	CLUESB020001	3/8 EPDM Hose	1
67	CLUESB020004	3/4 EPDM HOSE	1
68	AZFB060K	Field Boss Electric Solenoid Bracket	1
69	CFPE04M02B	3/4 MNPT x 1/2 Hose Barb 90	1
70	CFPE04M04B	3/4 MNPT x 3/4 Hose Barb 90	1
71	CFPS02M01B	1/2 MNPT x 3/8 Hose Barb	3
72	CHNSN903	10-32 18-8 SS LOCKNUT	2
73	CFXES04 - CU	CFXES04 - Control Unit	1
74	CFXES04 - WH	CFXES04 - Wire harness	1
75	CFXES04	RC-1B System with 2502B-3 Solenoid Valve	1
76	CLUESB020002	1/2 EPDM Hose	1
77	CLUESB020002	1/2" EPDM Hose	1
78	CA502020	Agitator	1
79	CBEL05090	1/2 FNPT Poly Pipe Elbow 90	1
80	CBNIP050SH	.5 IN Short Poly Nipple	1
81	CLUESB020002	1/2 EPDM Hose	1
82	CHWNR03	Self retaining washer for 3/8 and M9	4

STAY CONNECTED

Want to be kept up-to-date on the latest news and information from Enduraplas? Enduraplas has several ways to get easy access to news alerts and instant updates on what's happening in the world of Enduraplas. Join the Enduraplas Community and connect with other Enduraplas fans, participate in giveaways, see videos of Enduraplas products in action, give us input on Enduraplas products, share your Enduraplas photos, and much more.



FIND US ON FACEBOOK
[@enduraplas](https://www.facebook.com/enduraplas)



FIND US ON INSTAGRAM
[@enduraplas](https://www.instagram.com/enduraplas)



WATCH US ON YOUTUBE
[YouTube.com/enduraplas](https://www.youtube.com/enduraplas)



FIND US ON TWITTER
[@enduraplas](https://twitter.com/enduraplas)

[#EngineeredforEndurance](https://twitter.com/Enduraplas)





Enduraplas®

1 (877) 877-4370
cs@enduraplas.com
www.enduraplas.com

113 1st Street, Neche
ND 58265, USA

Order Genuine Enduraplas Parts & Accessories:
parts.enduraplas.com



Watch Instruction Videos:
www.youtube.com/enduraplas

Discover More Helpful Tips:
blog.enduraplas.com/spraying