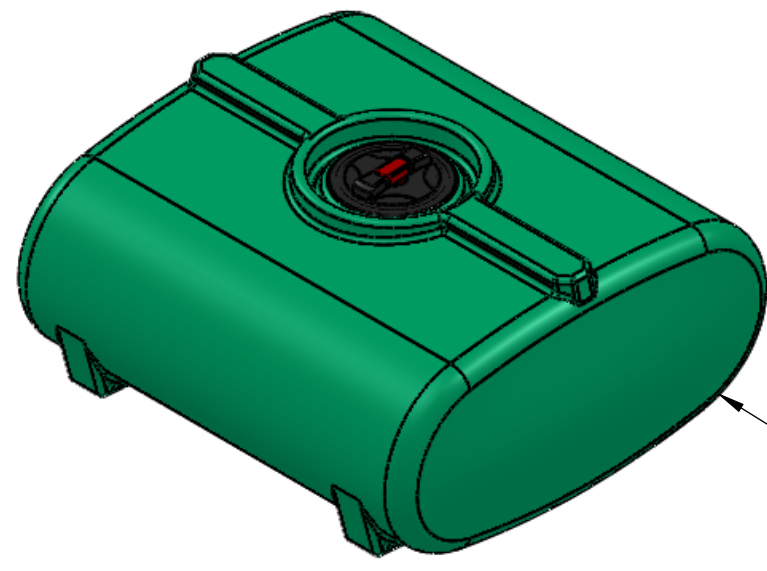
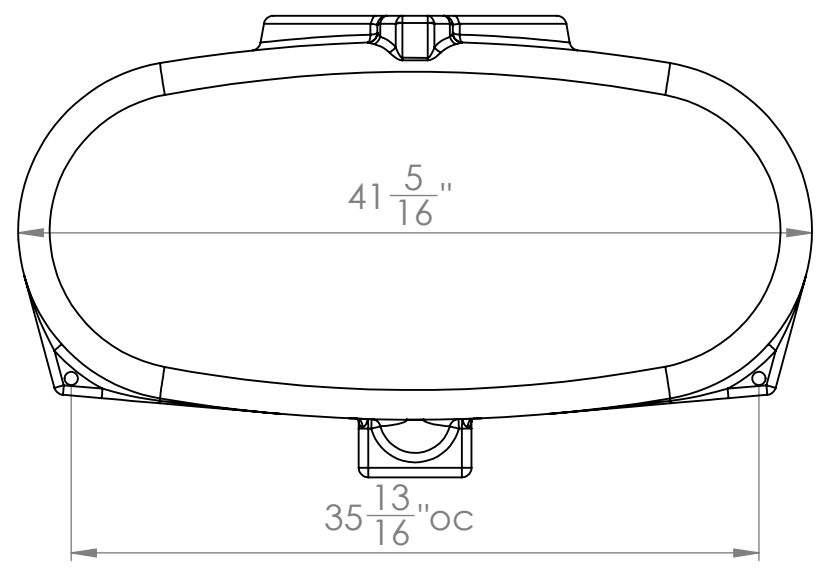
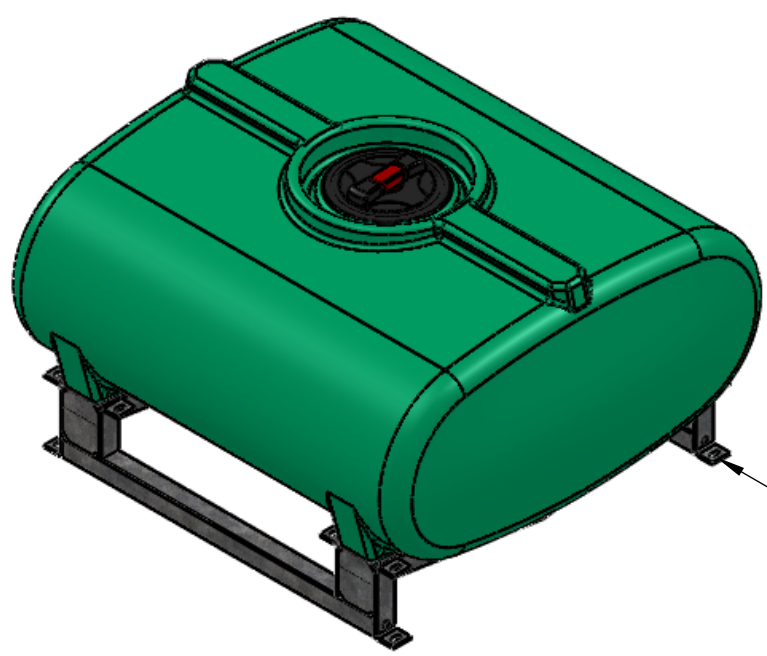
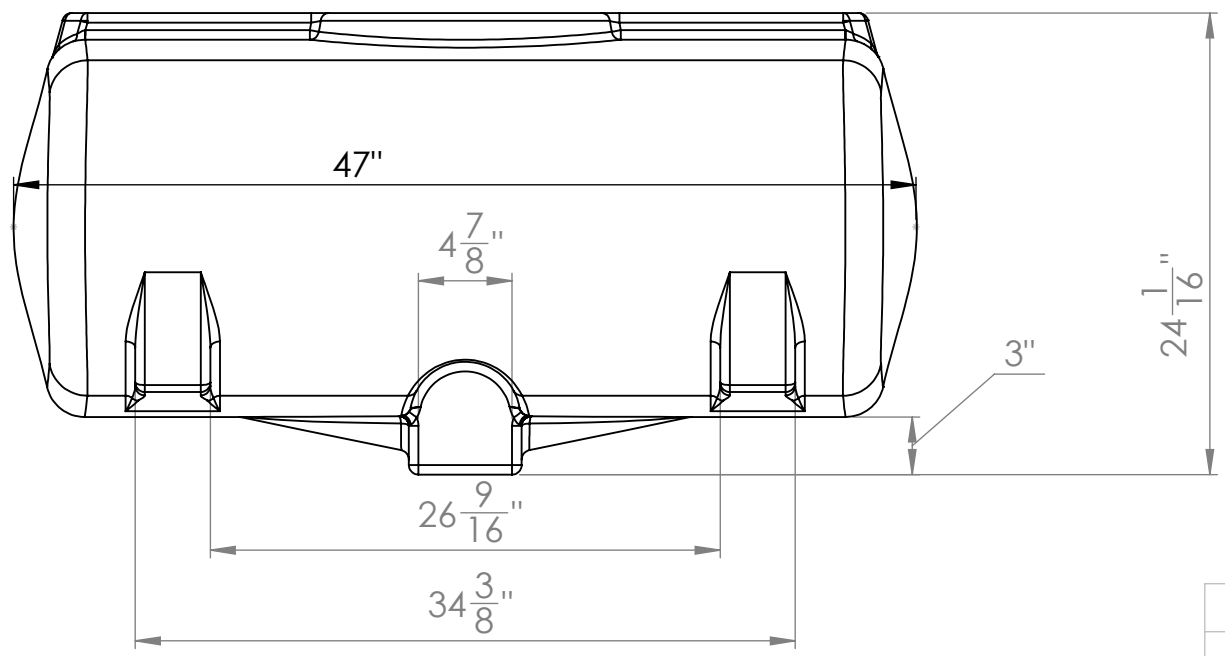


8 7 6 5 4 3 2 1

D
C
B
A



ST100LP



ST100LS

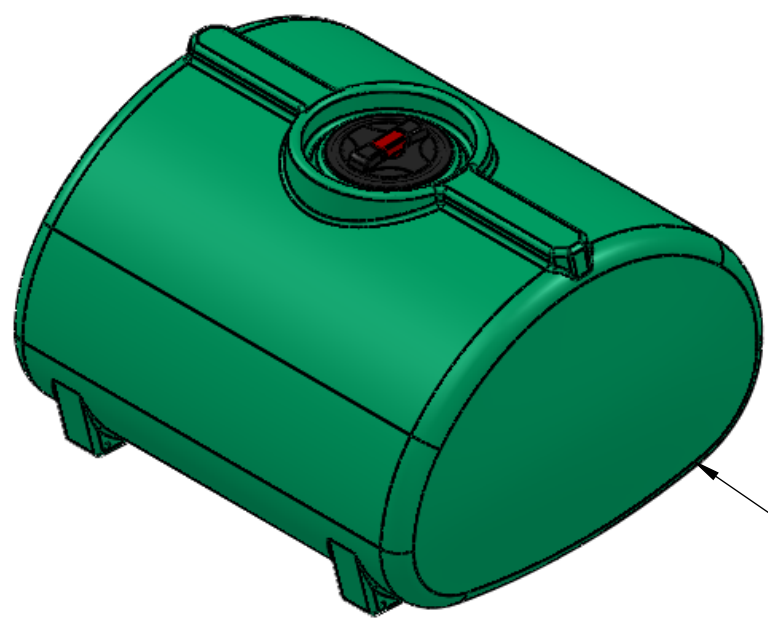
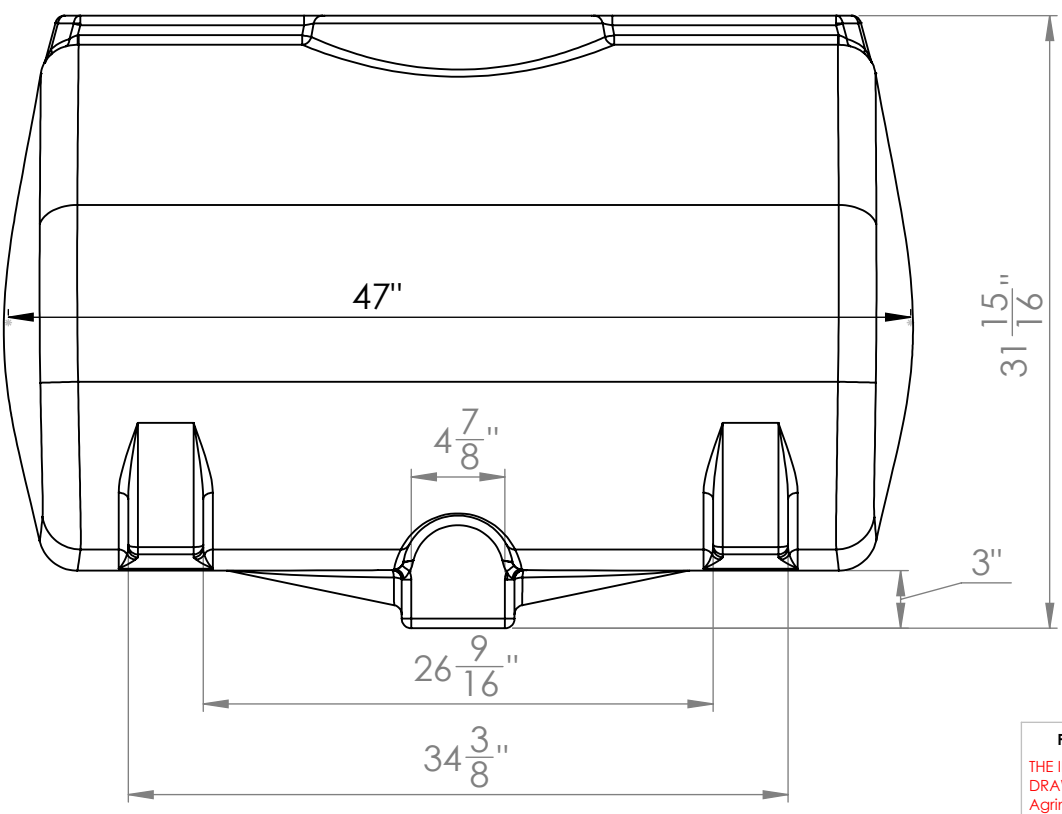
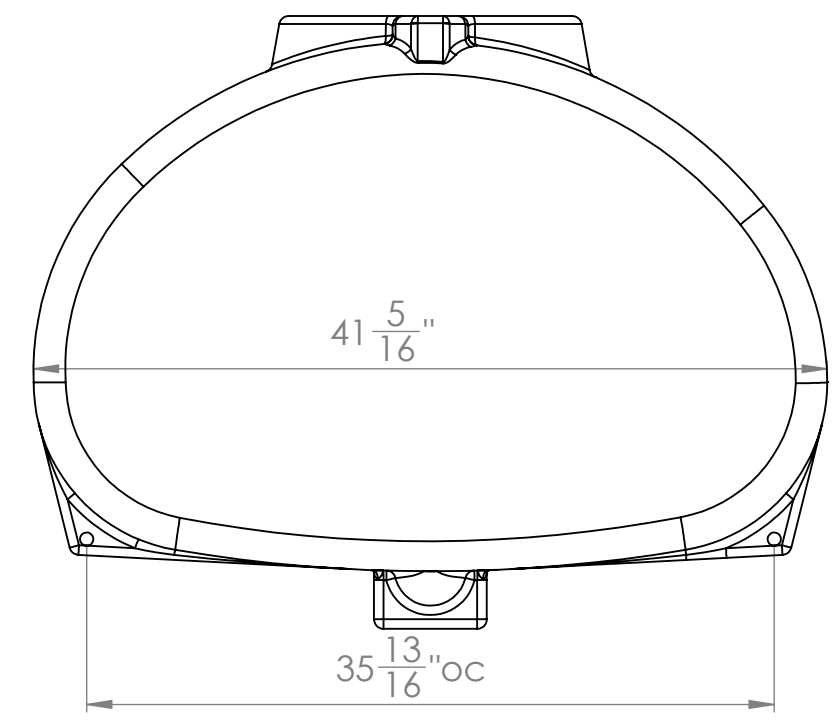
PROPRIETARY AND CONFIDENTIAL
 THE INFORMATION CONTAINED IN THIS DRAWING IS THE SOLE PROPERTY OF Agrimaxx, Enduraplas. ANY REPRODUCTION IN PART OR AS A WHOLE WITHOUT THE WRITTEN PERMISSION OF Agrimaxx, Enduraplas, IS PROHIBITED.

		UNLESS OTHERWISE SPECIFIED:		NAME	DATE	Enduraplas	
		DIMENSIONS ARE IN INCHES TOLERANCES: FRACTIONAL ± ANGULAR: MACH ± BEND ± TWO PLACE DECIMAL ± THREE PLACE DECIMAL ±		DRAWN	DNS		
		INTERPRET GEOMETRIC TOLERANCING PER:		CHECKED			TITLE:
		MATERIAL		ENG APPR.			ST100LP
		FINISH		MFG APPR.			SIZE
NEXT ASSY	USED ON			Q.A.			DWG. NO.
APPLICATION		DO NOT SCALE DRAWING		COMMENTS:			REV
							1
							SCALE: 1:20 WEIGHT:
							SHEET 1 OF 1

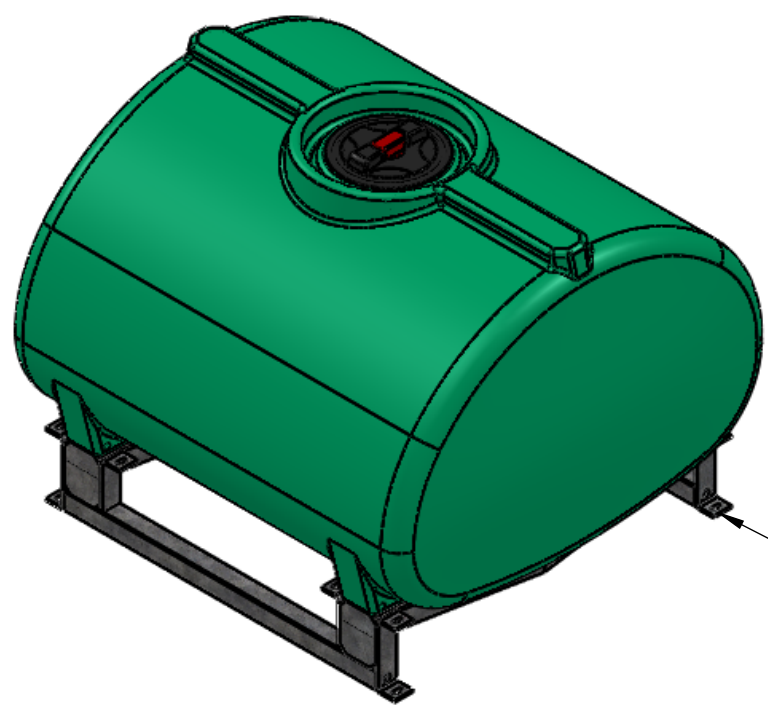
8 7 6 5 4 3 2 1

8 7 6 5 4 3 2 1

D
C
B
A



ST150LP

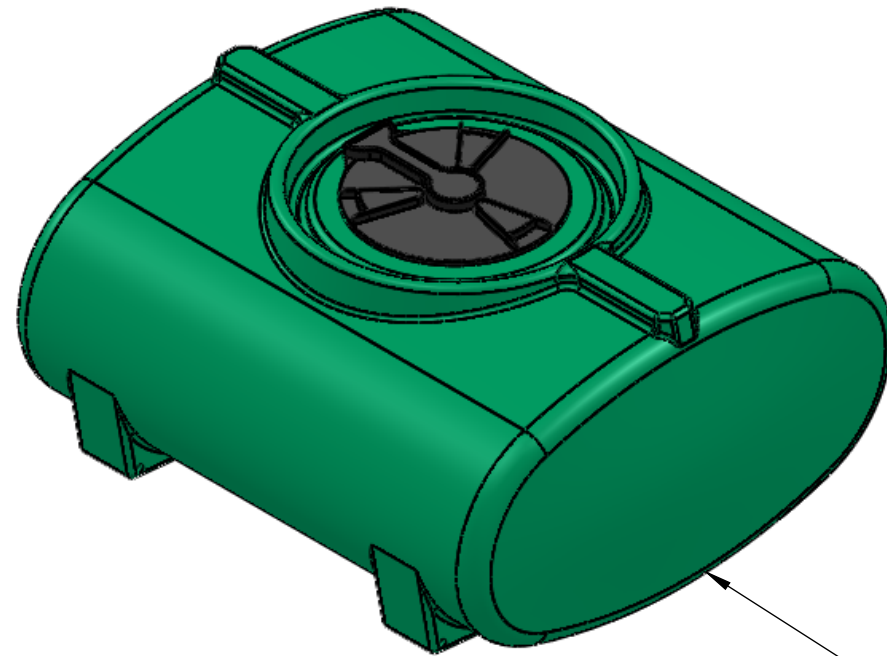
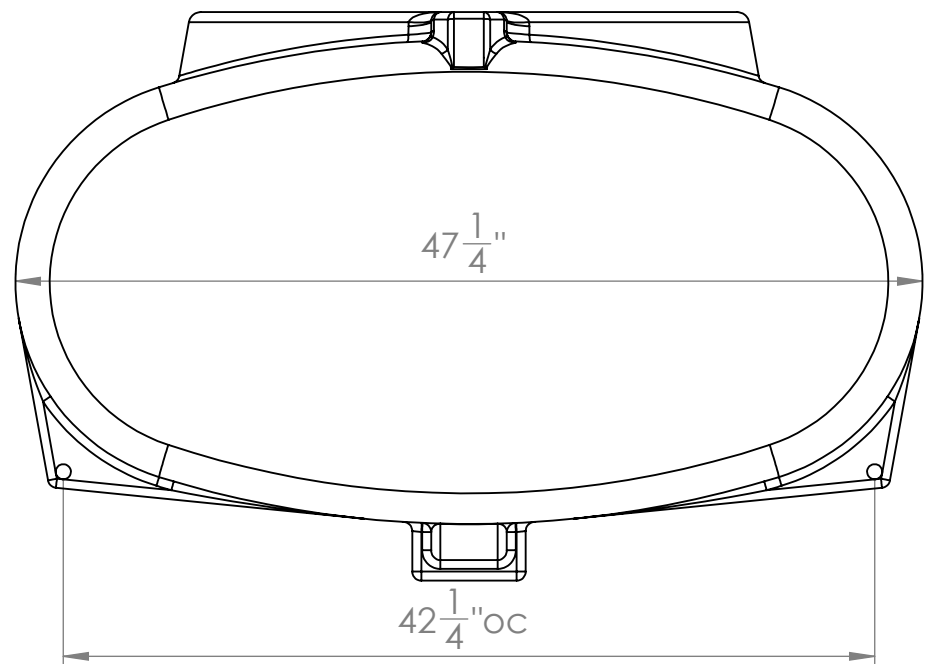


ST150LS

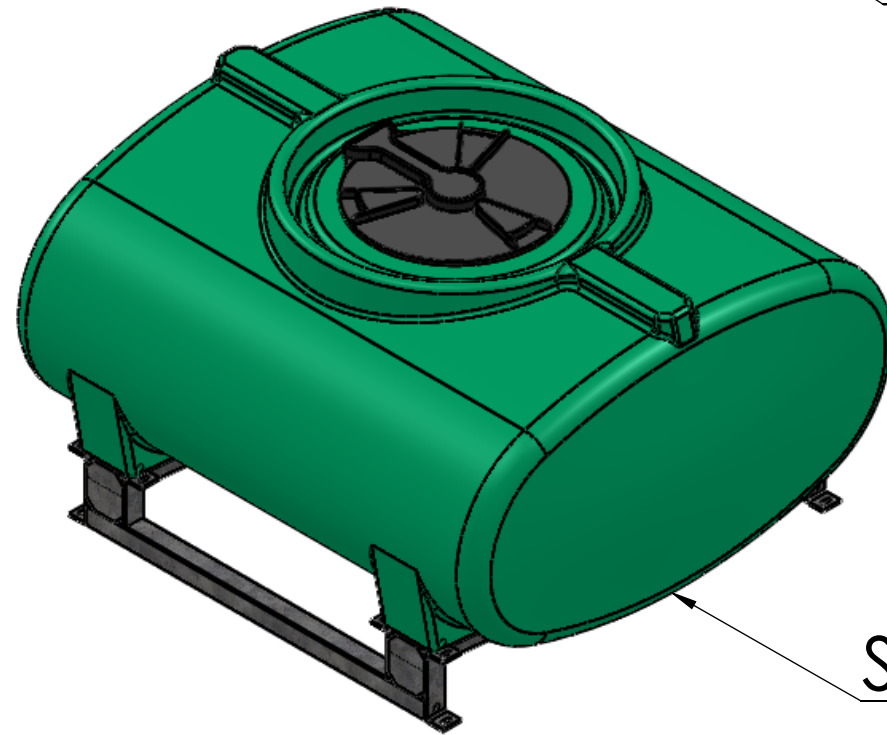
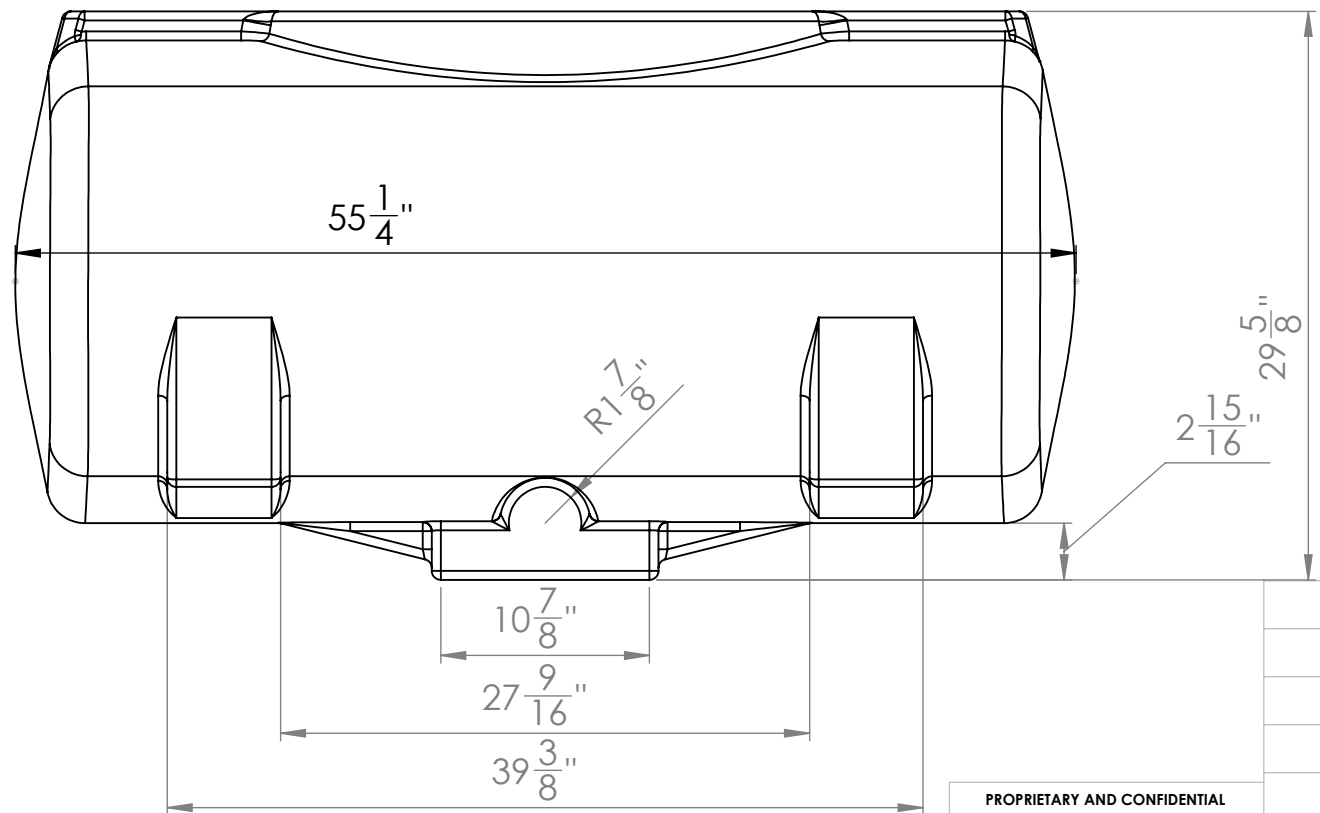
PROPRIETARY AND CONFIDENTIAL
 THE INFORMATION CONTAINED IN THIS DRAWING IS THE SOLE PROPERTY OF Agrimaxx, Enduraplas. ANY REPRODUCTION IN PART OR AS A WHOLE WITHOUT THE WRITTEN PERMISSION OF Agrimaxx, Enduraplas, IS PROHIBITED.

		UNLESS OTHERWISE SPECIFIED:		NAME	DATE	Enduraplas	
		DIMENSIONS ARE IN INCHES		DRAWN	DNS		
		TOLERANCES:		CHECKED			TITLE:
		FRACTIONAL ±		ENG APPR.			ST150LP
		ANGULAR: MACH ± BEND ±		MFG APPR.			
		TWO PLACE DECIMAL ±		Q.A.			SIZE
		THREE PLACE DECIMAL ±		COMMENTS:			DWG. NO.
		INTERPRET GEOMETRIC TOLERANCING PER:					REV
		MATERIAL					1
NEXT ASSY	USED ON	FINISH					SCALE: 1:20
APPLICATION		DO NOT SCALE DRAWING					WEIGHT:
							SHEET 1 OF 1

8 7 6 5 4 3 2 1



ST200LP



ST200LS

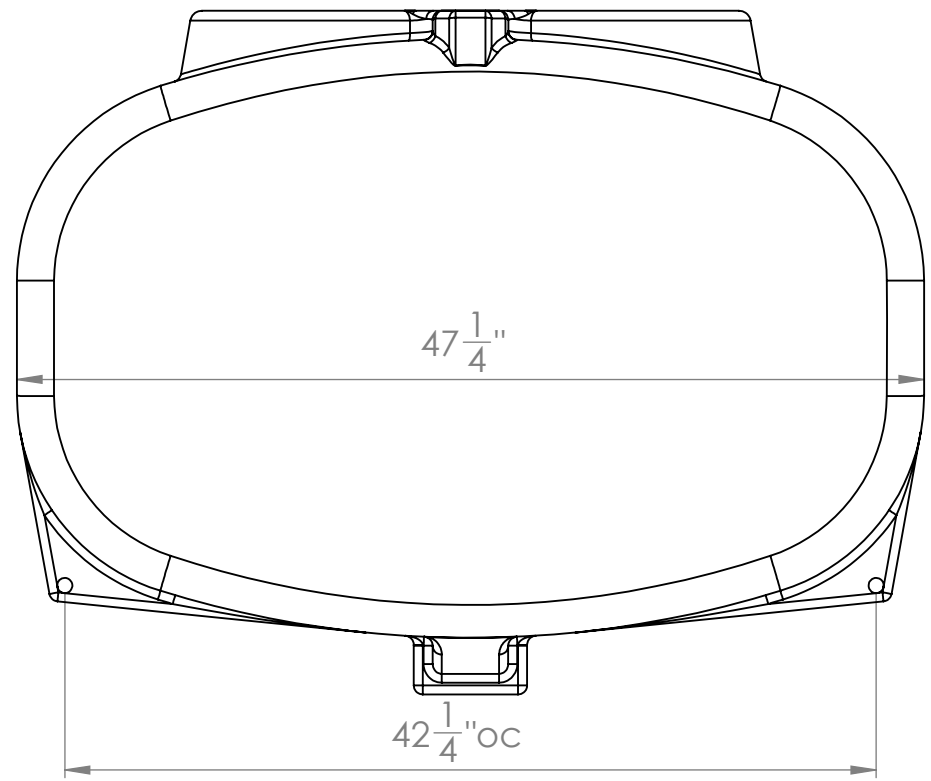
PROPRIETARY AND CONFIDENTIAL
 THE INFORMATION CONTAINED IN THIS DRAWING IS THE SOLE PROPERTY OF Agrimaxx, Enduraplas. ANY REPRODUCTION IN PART OR AS A WHOLE WITHOUT THE WRITTEN PERMISSION OF Agrimaxx, Enduraplas, IS PROHIBITED.

		UNLESS OTHERWISE SPECIFIED:		NAME	DATE	Enduraplas
		DIMENSIONS ARE IN INCHES		DRAWN	DNS	
		TOLERANCES:		CHECKED		TITLE:
		FRACTIONAL ±		ENG APPR.		ST200LP
		ANGULAR: MACH ± BEND ±		MFG APPR.		SIZE
		TWO PLACE DECIMAL ±		Q.A.		DWG. NO.
		THREE PLACE DECIMAL ±		COMMENTS:		REV
		INTERPRET GEOMETRIC TOLERANCING PER:				1
		MATERIAL				SCALE: 1:20
NEXT ASSY	USED ON	FINISH				WEIGHT:
APPLICATION		DO NOT SCALE DRAWING				SHEET 1 OF 1

8 7 6 5 4 3 2 1

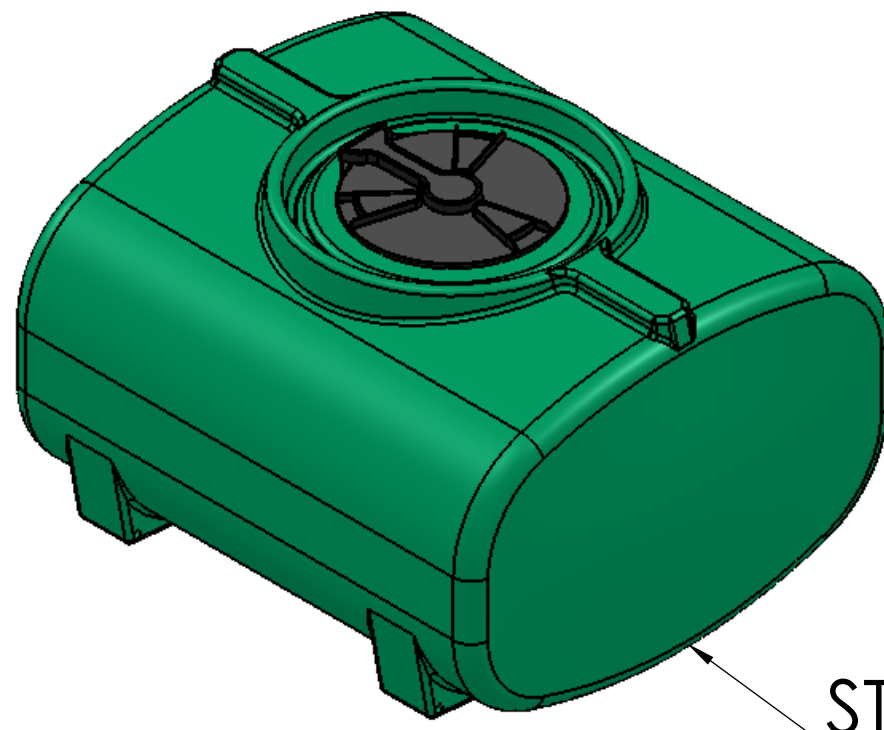
D

D



C

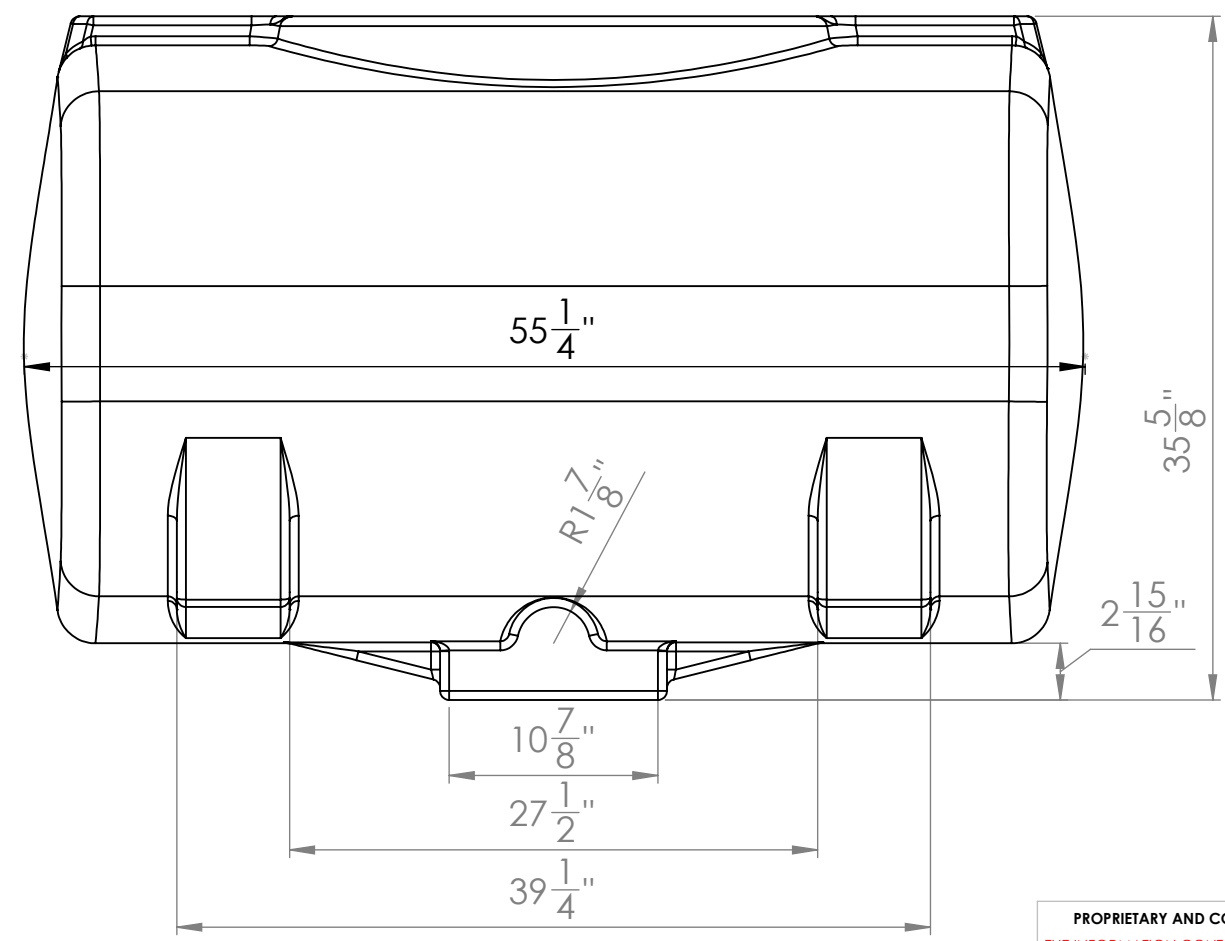
C



ST250LP

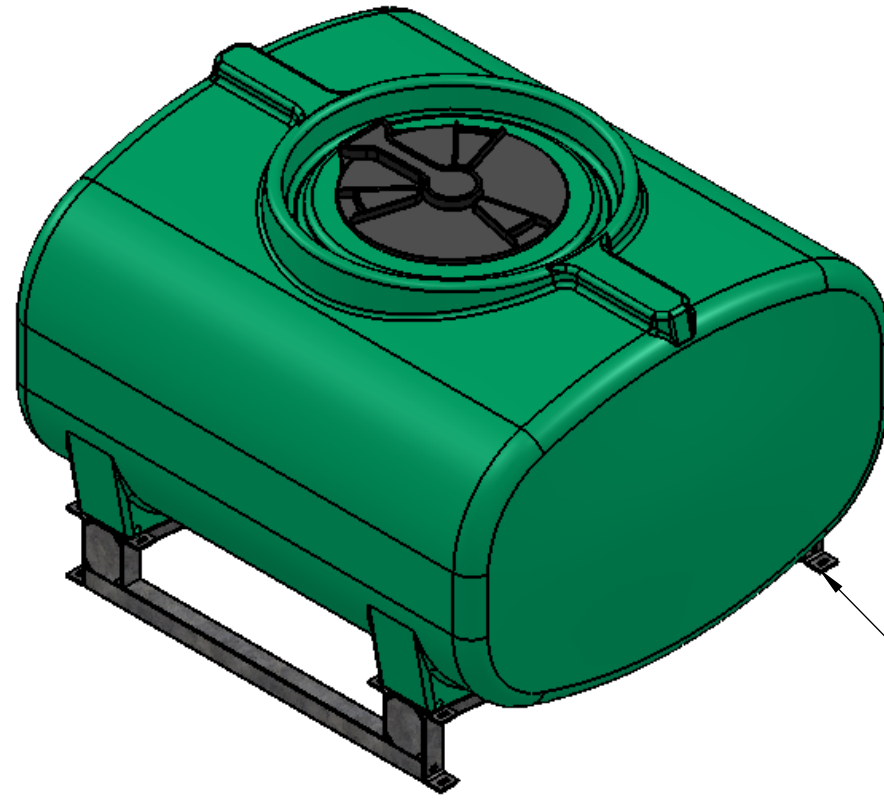
B

B



A

A



ST250LS

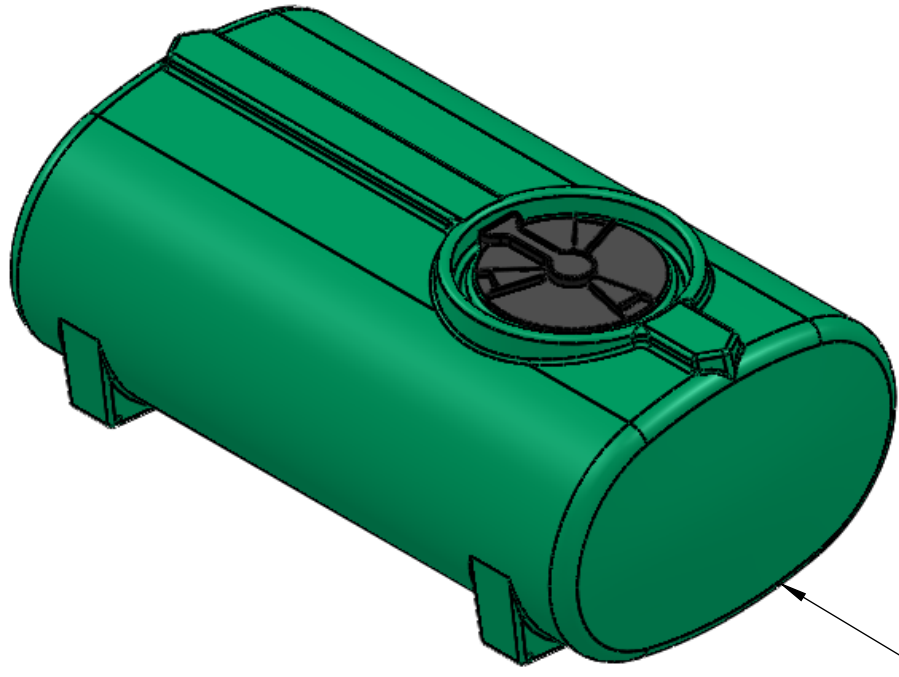
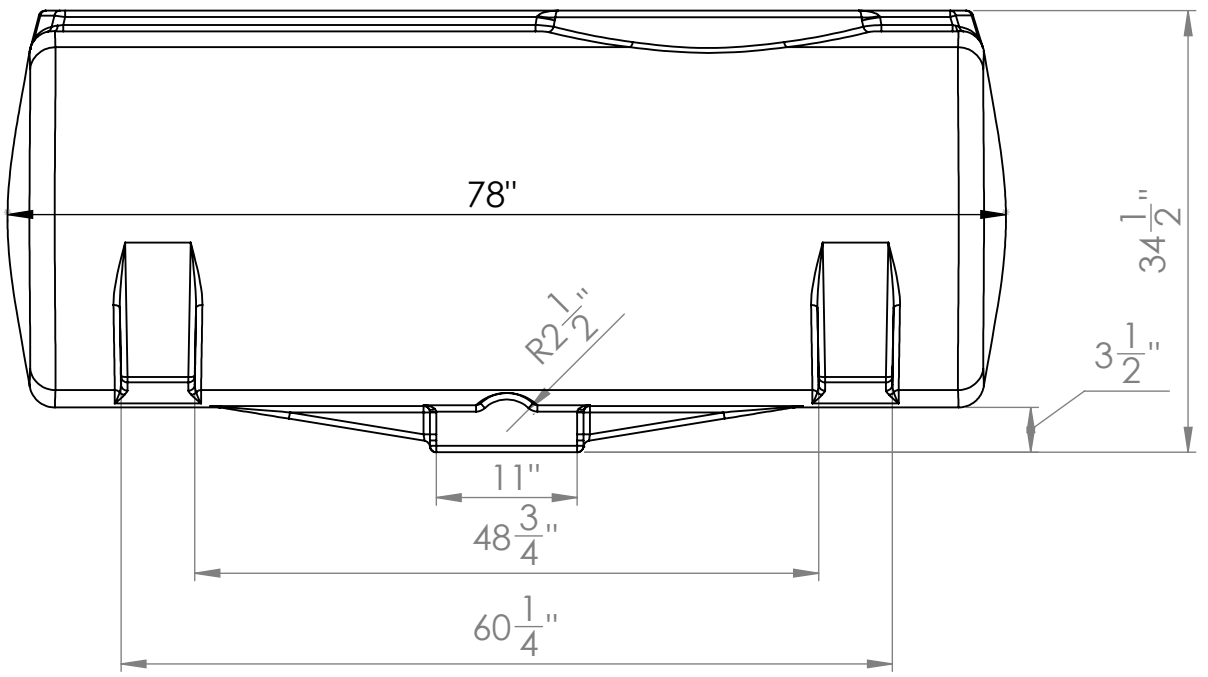
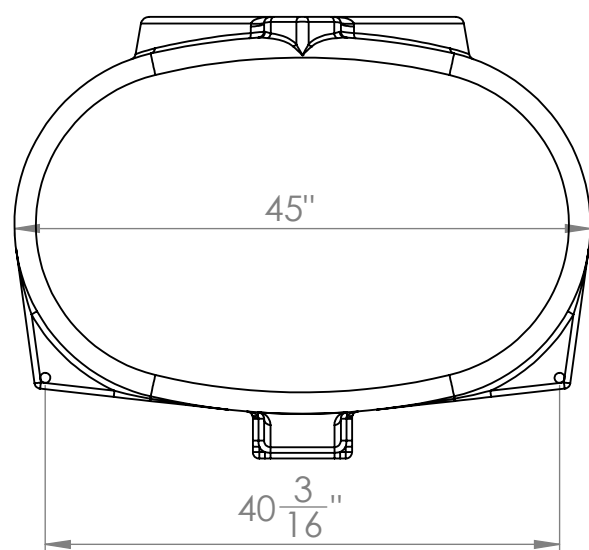
PROPRIETARY AND CONFIDENTIAL
 THE INFORMATION CONTAINED IN THIS DRAWING IS THE SOLE PROPERTY OF Agrimaxx, Enduraplas. ANY REPRODUCTION IN PART OR AS A WHOLE WITHOUT THE WRITTEN PERMISSION OF Agrimaxx, Enduraplas, IS PROHIBITED.

		UNLESS OTHERWISE SPECIFIED:		NAME	DATE	Enduraplas	
		DIMENSIONS ARE IN INCHES		DRAWN	DNS		
		TOLERANCES:		CHECKED			TITLE:
		FRACTIONAL ±		ENG APPR.			ST250LP
		ANGULAR: MACH ± BEND ±		MFG APPR.			SIZE
		TWO PLACE DECIMAL ±		Q.A.			DWG. NO.
		THREE PLACE DECIMAL ±		COMMENTS:			REV
		INTERPRET GEOMETRIC TOLERANCING PER:					1
		MATERIAL					SCALE: 1:20
		FINISH					WEIGHT:
NEXT ASSY	USED ON	DO NOT SCALE DRAWING					SHEET 1 OF 1
APPLICATION							

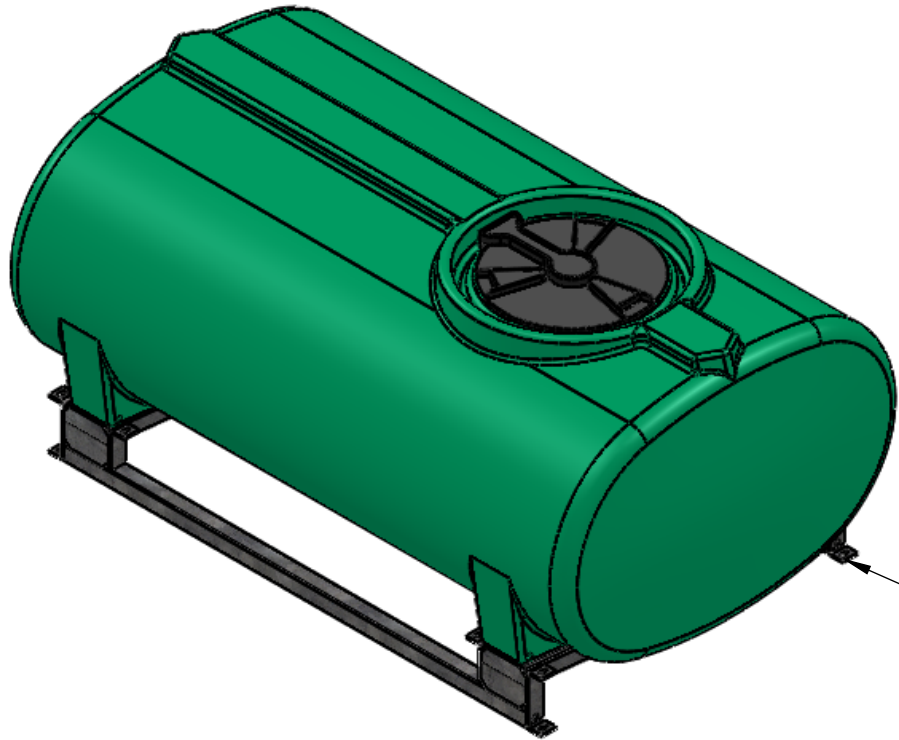
8 7 6 5 4 3 2 1

8 7 6 5 4 3 2 1

D
C
B
A



ST300LP



ST300LS

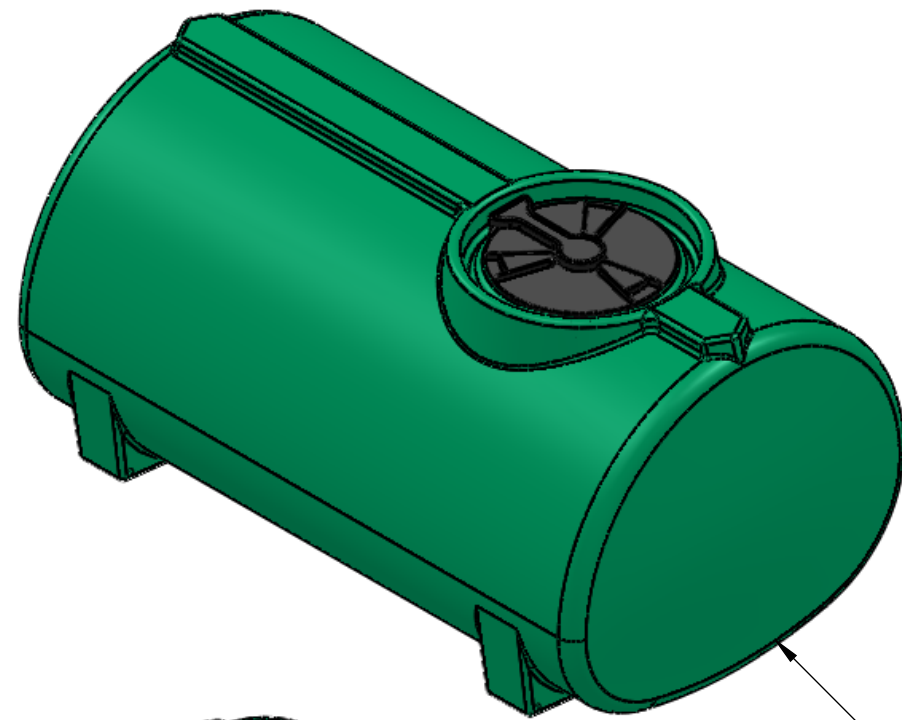
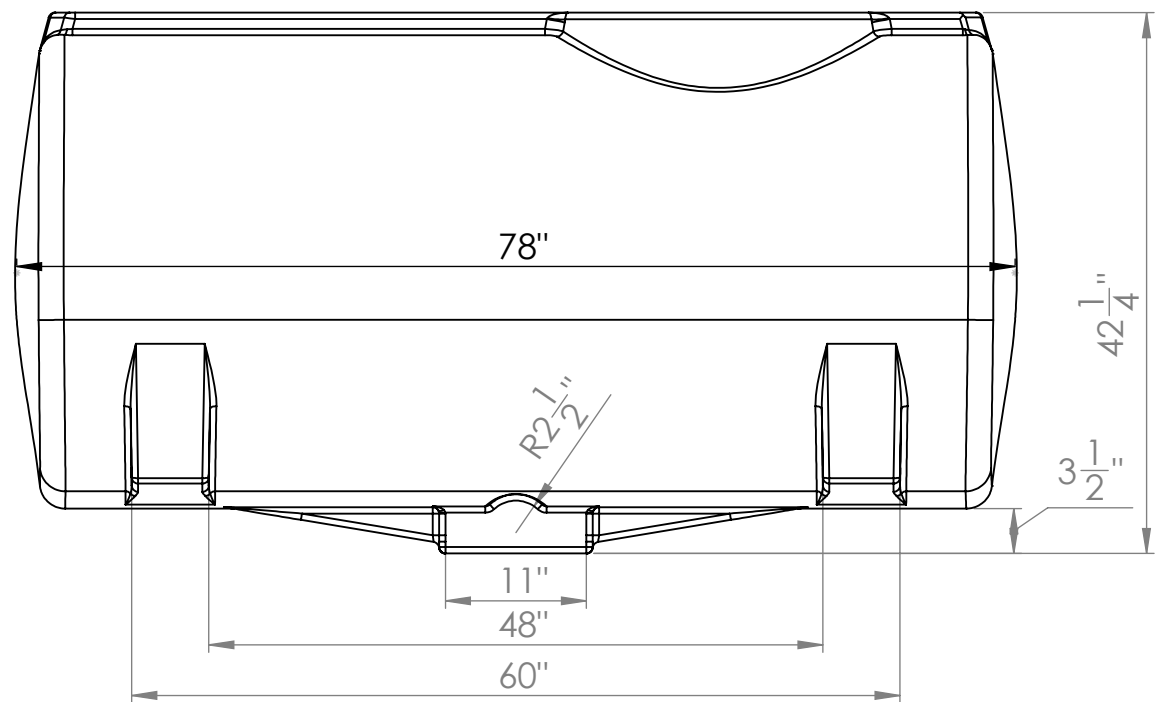
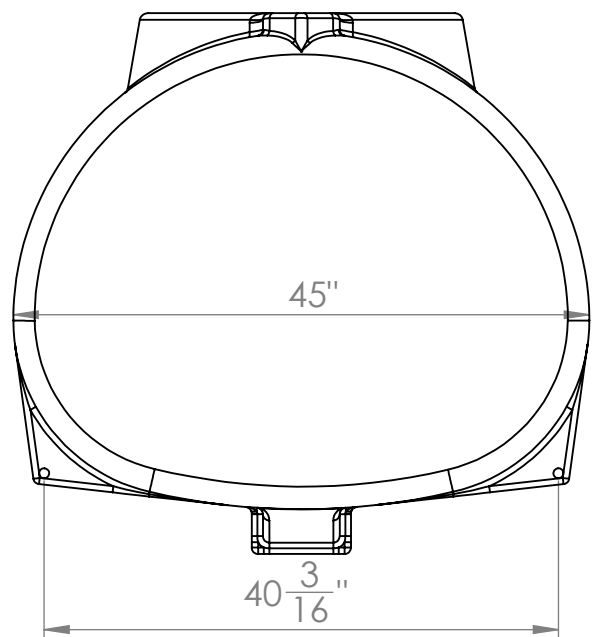
PROPRIETARY AND CONFIDENTIAL
 THE INFORMATION CONTAINED IN THIS DRAWING IS THE SOLE PROPERTY OF Agrimaxx, Enduraplas. ANY REPRODUCTION IN PART OR AS A WHOLE WITHOUT THE WRITTEN PERMISSION OF Agrimaxx, Enduraplas, IS PROHIBITED.

		UNLESS OTHERWISE SPECIFIED:		NAME	DATE	Enduraplas	
		DIMENSIONS ARE IN INCHES TOLERANCES: FRACTIONAL ± ANGULAR: MACH ± BEND ± TWO PLACE DECIMAL ± THREE PLACE DECIMAL ±		DRAWN	DNS		
		INTERPRET GEOMETRIC TOLERANCING PER:		CHECKED			TITLE:
		MATERIAL		ENG APPR.			ST300LP
		FINISH		MFG APPR.			SIZE
NEXT ASSY	USED ON			Q.A.			DWG. NO.
APPLICATION		DO NOT SCALE DRAWING		COMMENTS:			REV
							1
							SCALE: 1:20 WEIGHT:
							SHEET 1 OF 1

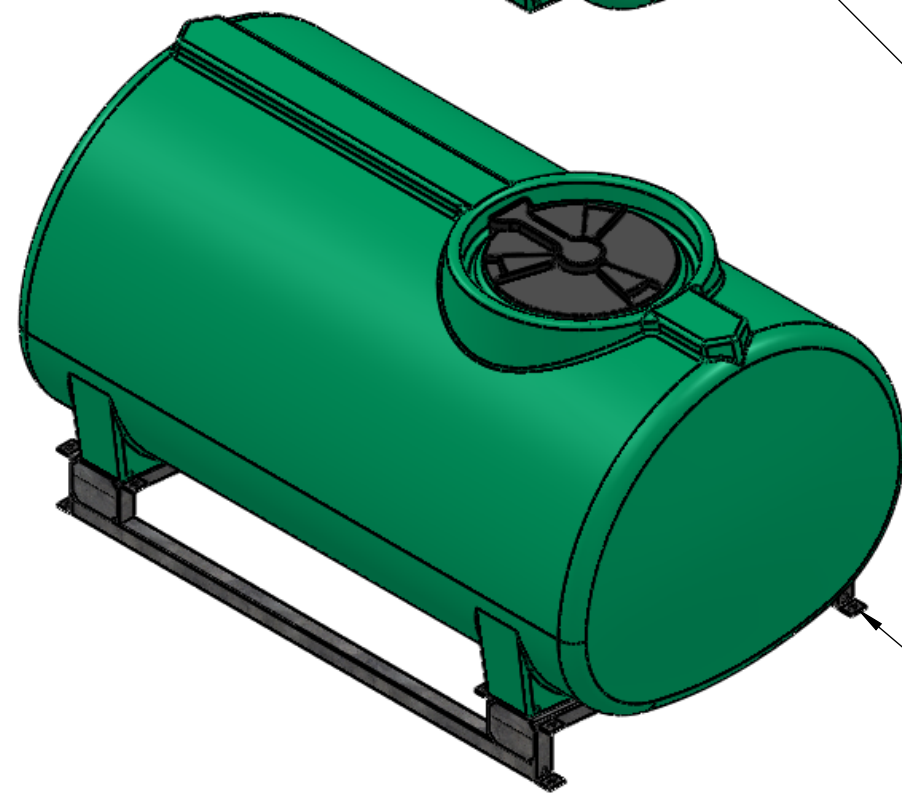
8 7 6 5 4 3 2 1

8 7 6 5 4 3 2 1

D
C
B
A



ST400LP



ST400LS

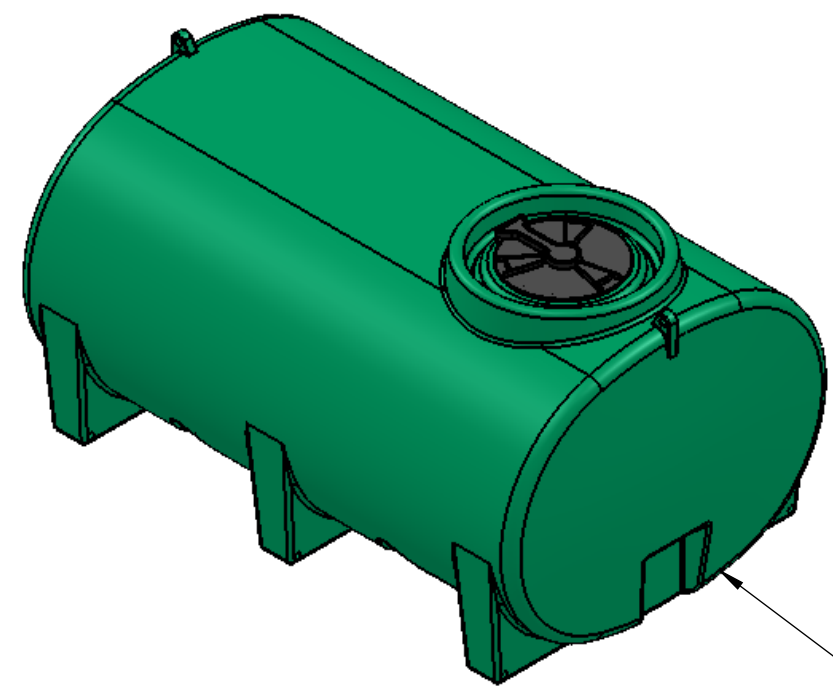
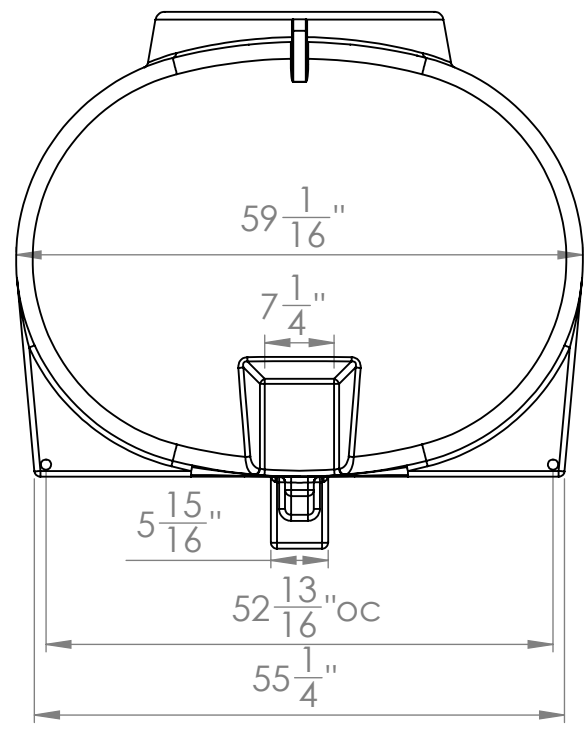
PROPRIETARY AND CONFIDENTIAL
 THE INFORMATION CONTAINED IN THIS DRAWING IS THE SOLE PROPERTY OF Agrimaxx, Enduraplas. ANY REPRODUCTION IN PART OR AS A WHOLE WITHOUT THE WRITTEN PERMISSION OF Agrimaxx, Enduraplas, IS PROHIBITED.

		UNLESS OTHERWISE SPECIFIED:		NAME	DATE	Enduraplas		
		DIMENSIONS ARE IN INCHES TOLERANCES: FRACTIONAL ± ANGULAR: MACH ± BEND ± TWO PLACE DECIMAL ± THREE PLACE DECIMAL ±		DRAWN	DNS			9/12/11
		INTERPRET GEOMETRIC TOLERANCING PER:		CHECKED		TITLE:		
		MATERIAL		ENG APPR.		ST400LP		
		FINISH		MFG APPR.				
NEXT ASSY	USED ON	DO NOT SCALE DRAWING		Q.A.		SIZE	DWG. NO.	REV
APPLICATION				COMMENTS:		B		1
						SCALE: 1:20 WEIGHT:		SHEET 1 OF 1

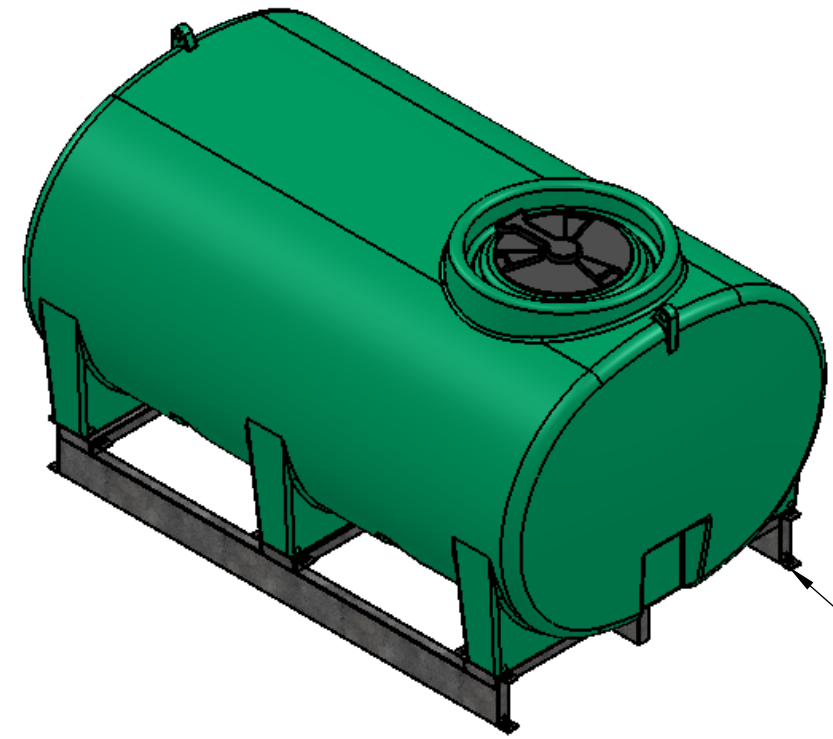
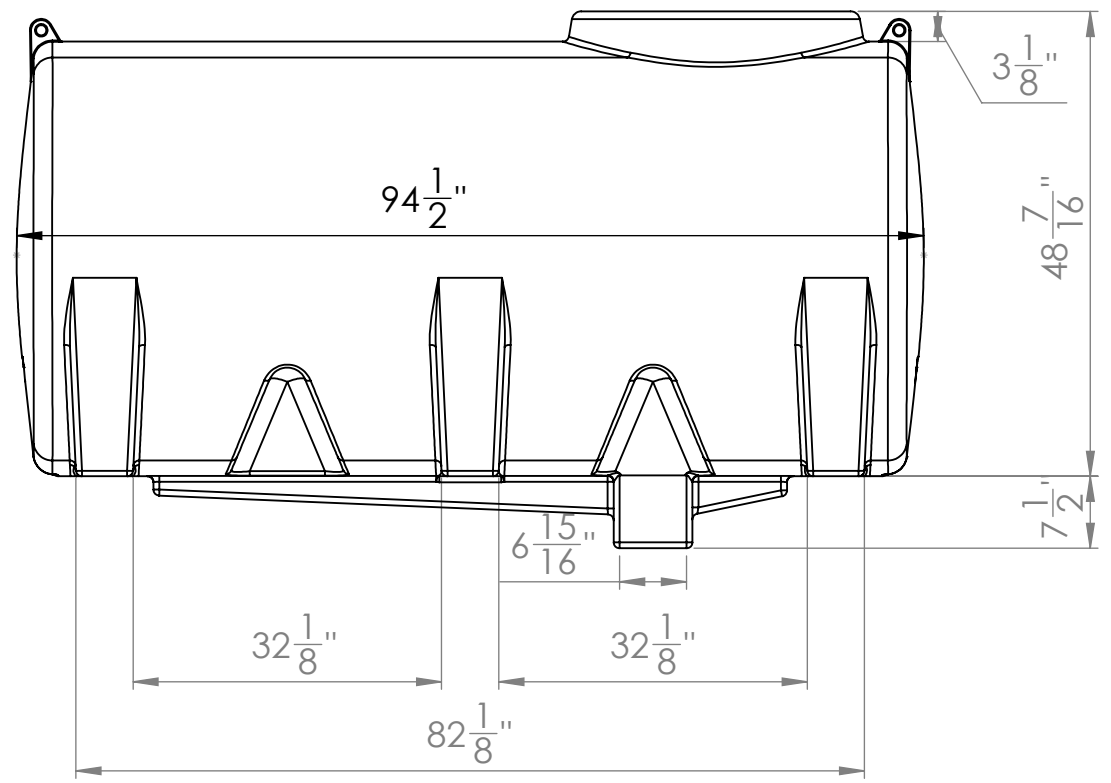
8 7 6 5 4 3 2 1

8 7 6 5 4 3 2 1

D
C
B
A



ST800LP

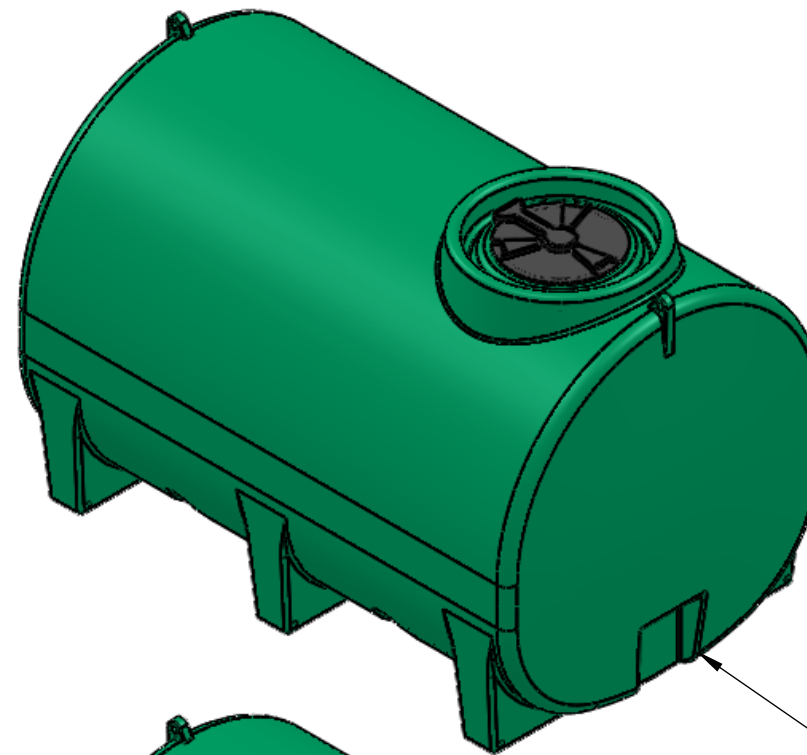
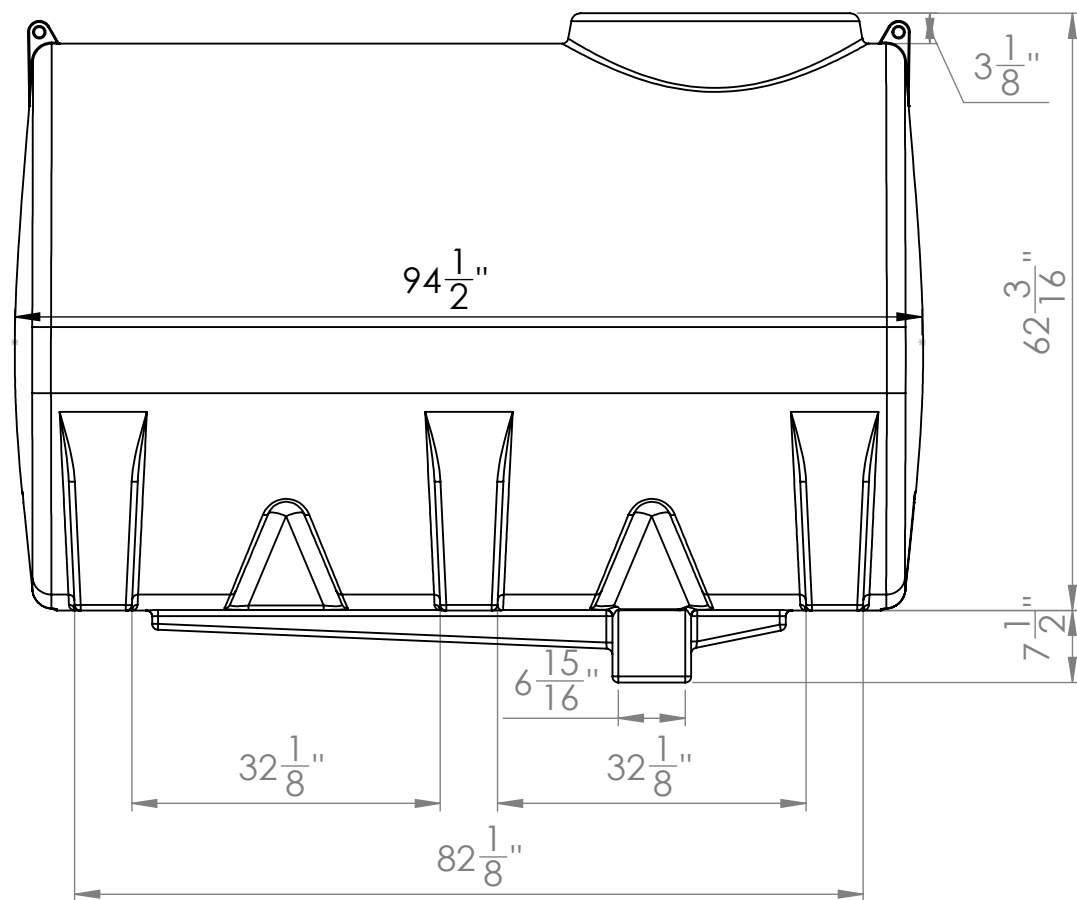
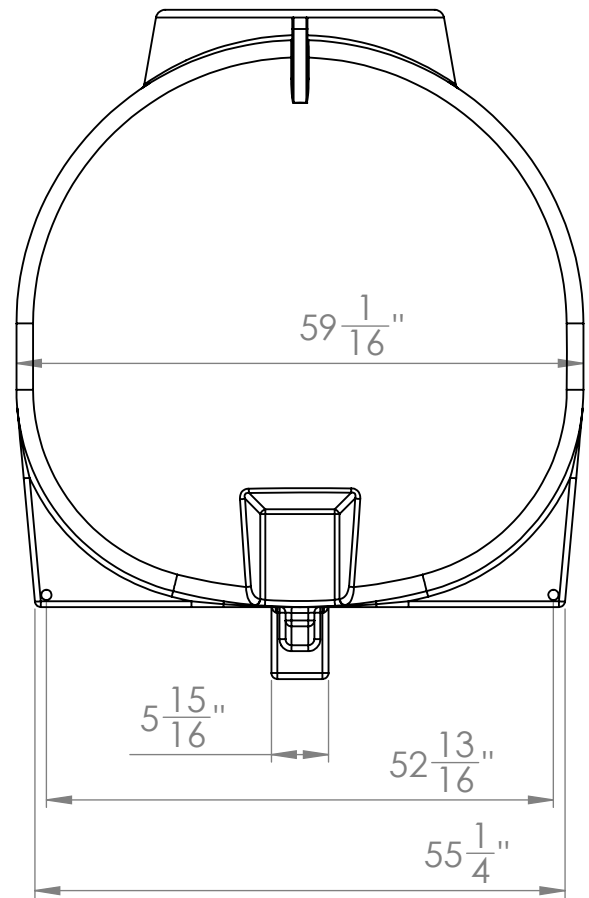


ST800LS

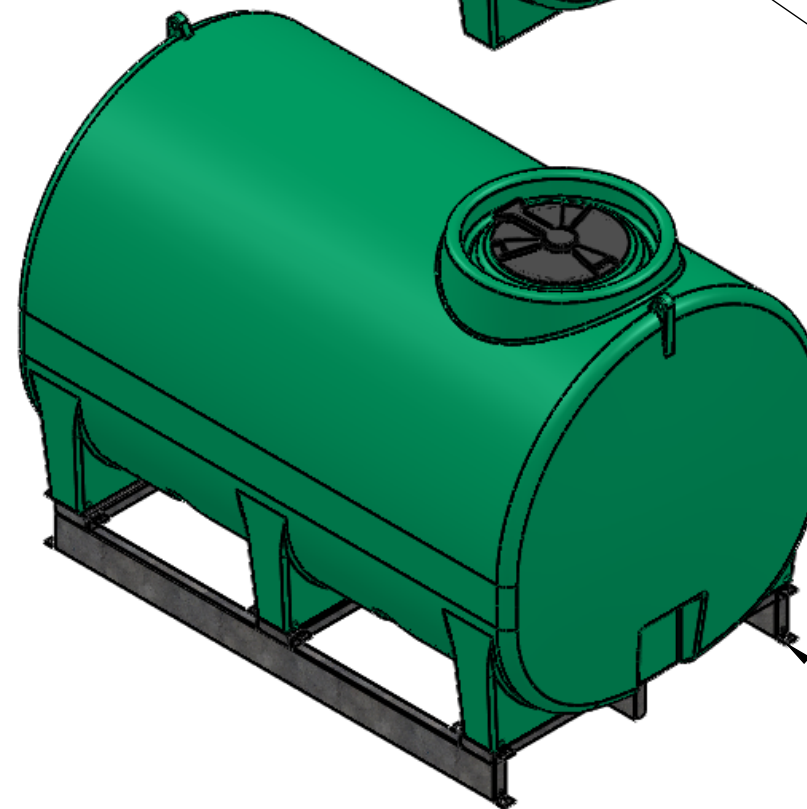
PROPRIETARY AND CONFIDENTIAL
 THE INFORMATION CONTAINED IN THIS DRAWING IS THE SOLE PROPERTY OF Agrimaxx, Enduraplas. ANY REPRODUCTION IN PART OR AS A WHOLE WITHOUT THE WRITTEN PERMISSION OF Agrimaxx, Enduraplas, IS PROHIBITED.

		UNLESS OTHERWISE SPECIFIED:		NAME	DATE	Enduraplas	
		DIMENSIONS ARE IN INCHES TOLERANCES: FRACTIONAL ± ANGULAR: MACH ± BEND ± TWO PLACE DECIMAL ± THREE PLACE DECIMAL ±		DRAWN	DNS		
		INTERPRET GEOMETRIC TOLERANCING PER:		CHECKED			TITLE:
		MATERIAL		ENG APPR.			ST800LP
		FINISH		MFG APPR.			SIZE
NEXT ASSY	USED ON	DO NOT SCALE DRAWING		Q.A.			DWG. NO.
APPLICATION				COMMENTS:			REV
							1
							SCALE: 1:20
							WEIGHT:
							SHEET 1 OF 1

8 7 6 5 4 3 2 1



ST1000LP



ST1000LS

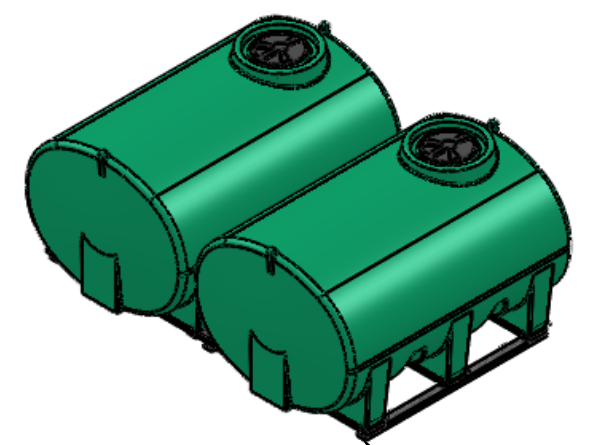
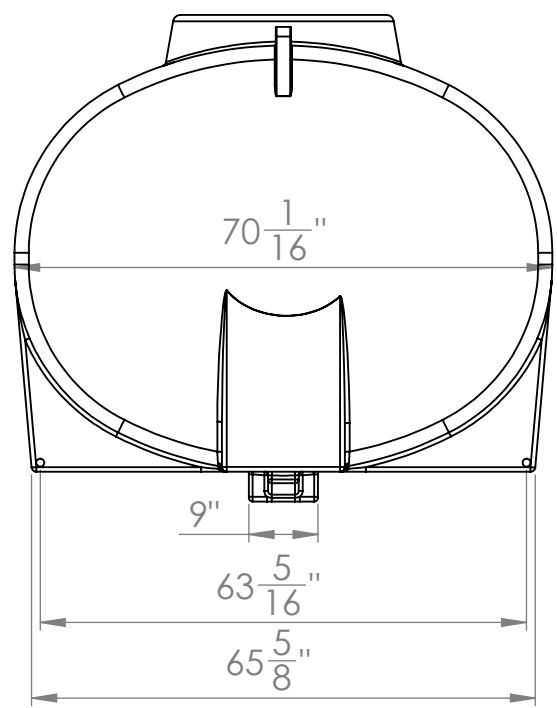
PROPRIETARY AND CONFIDENTIAL
 THE INFORMATION CONTAINED IN THIS DRAWING IS THE SOLE PROPERTY OF Agrimaxx, Enduraplas. ANY REPRODUCTION IN PART OR AS A WHOLE WITHOUT THE WRITTEN PERMISSION OF Agrimaxx, Enduraplas, IS PROHIBITED.

		UNLESS OTHERWISE SPECIFIED:		NAME	DATE	Enduraplas	
		DIMENSIONS ARE IN INCHES		DRAWN	DNS		
		TOLERANCES:		CHECKED			TITLE:
		FRACTIONAL ±		ENG APPR.			ST1000LP
		ANGULAR: MACH ± BEND ±		MFG APPR.			SIZE
		TWO PLACE DECIMAL ±		Q.A.			DWG. NO.
		THREE PLACE DECIMAL ±		COMMENTS:			REV
		INTERPRET GEOMETRIC TOLERANCING PER:					1
		MATERIAL					SCALE: 1:50
		FINISH					WEIGHT:
NEXT ASSY	USED ON	DO NOT SCALE DRAWING					SHEET 1 OF 1
APPLICATION							

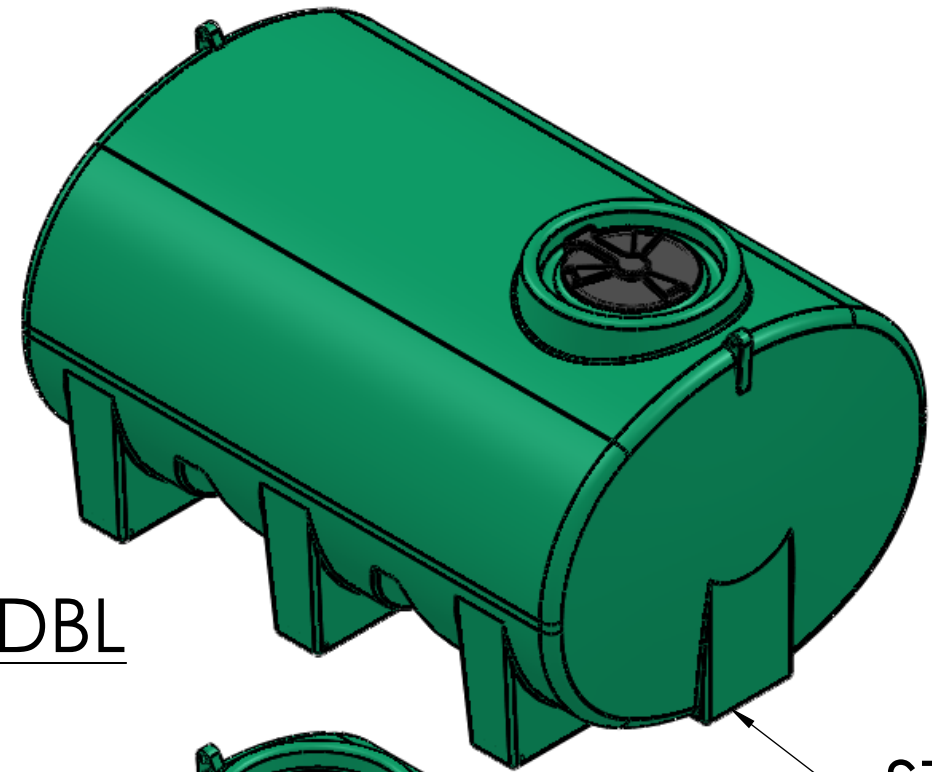
8 7 6 5 4 3 2 1

D
C
B
A

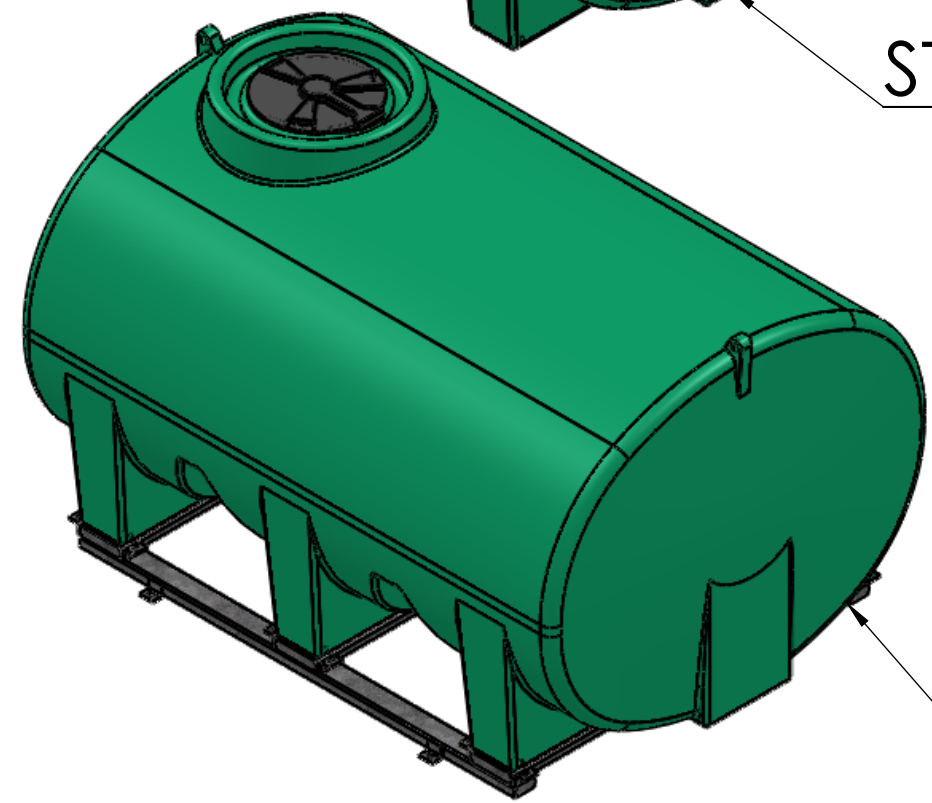
D
C
B
A



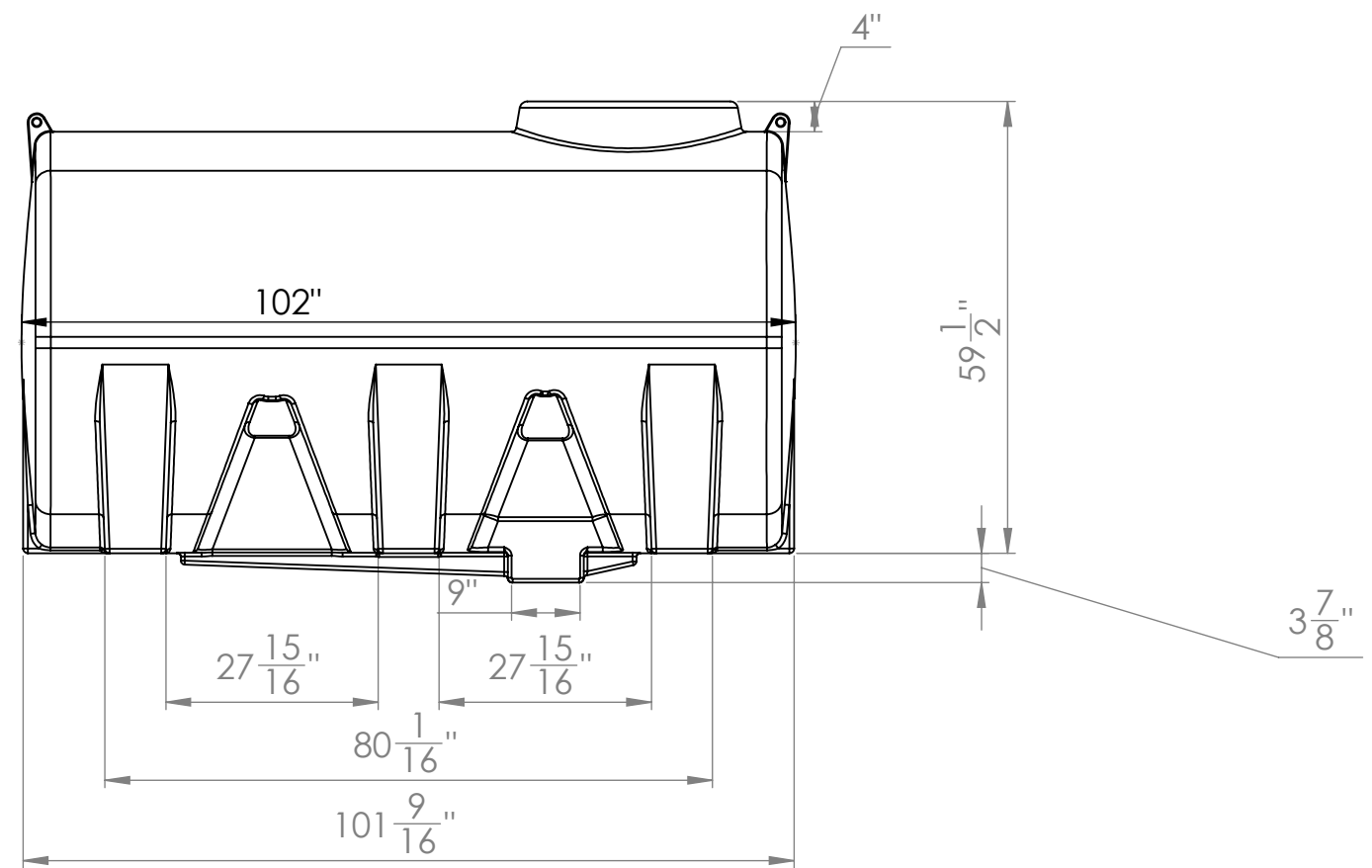
ST1200DBL



ST1200LP



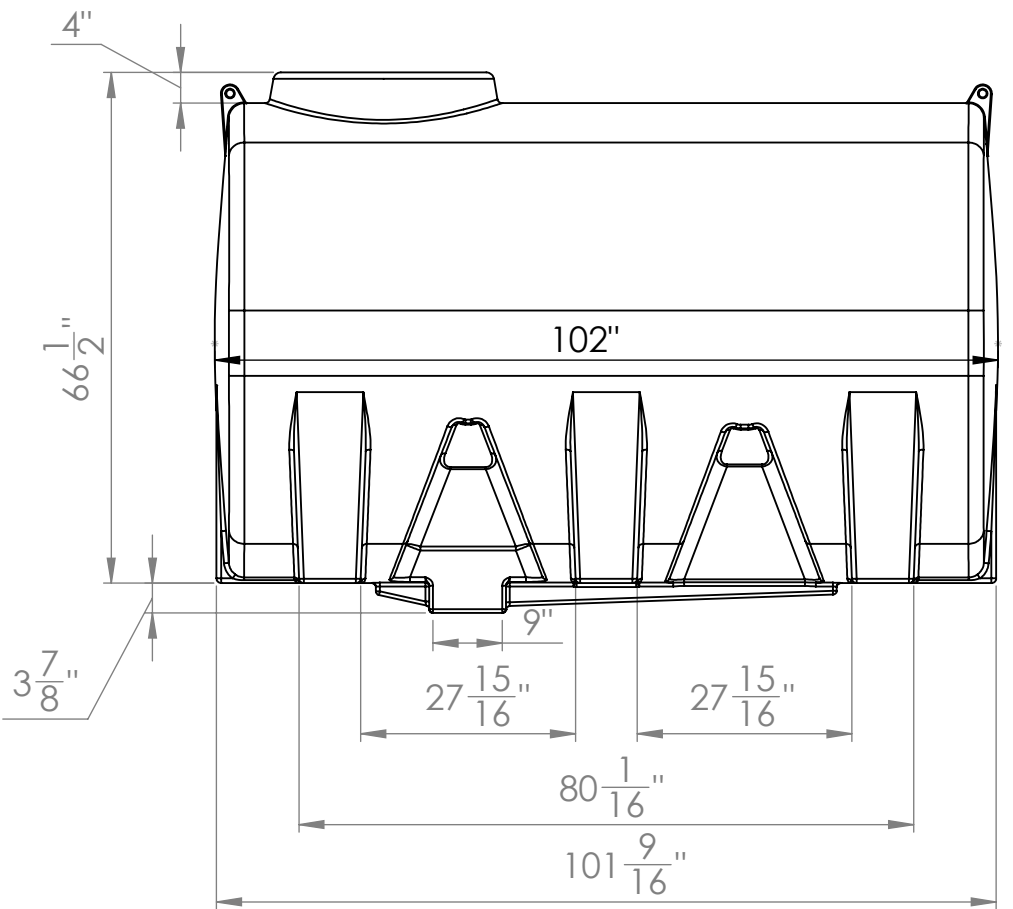
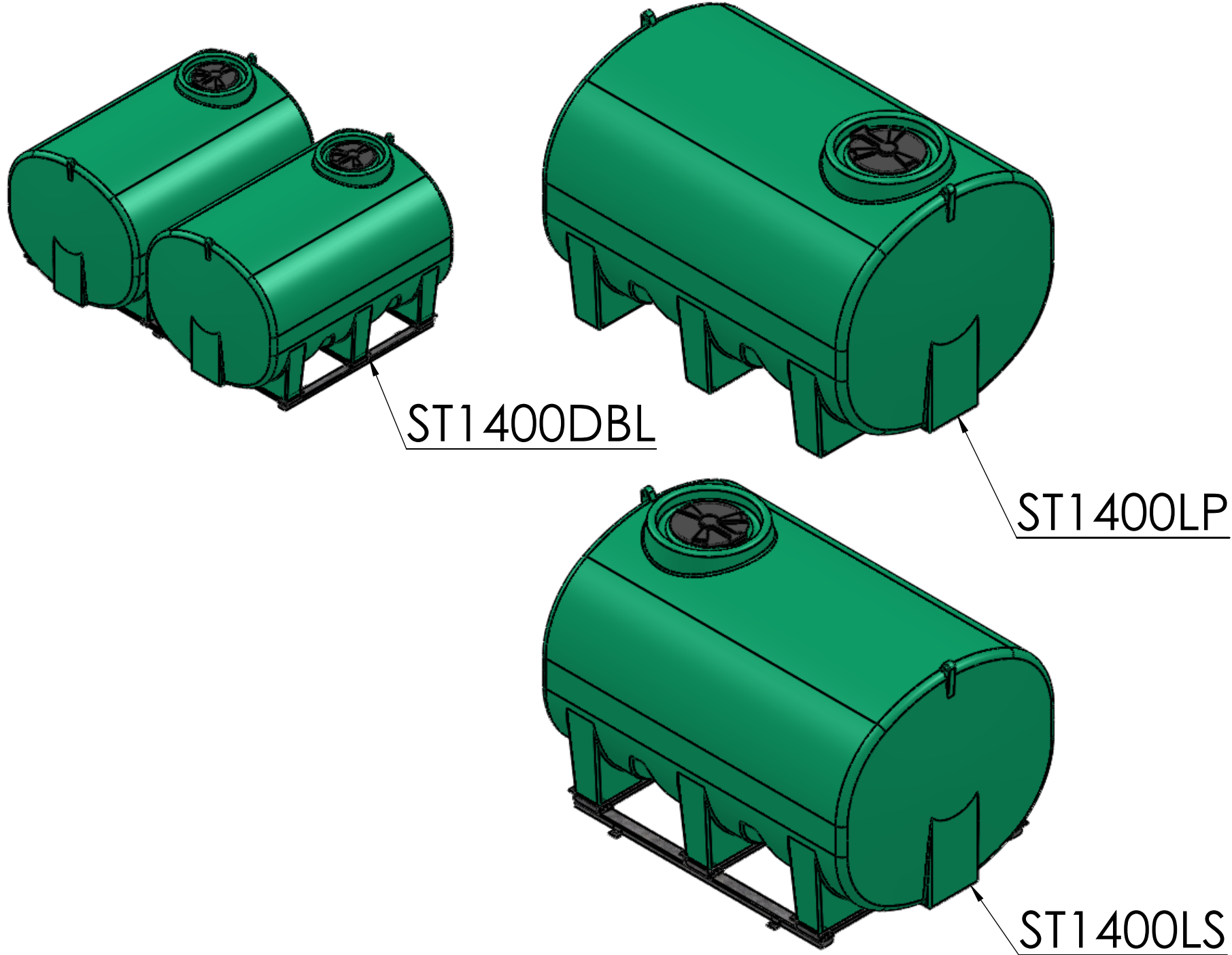
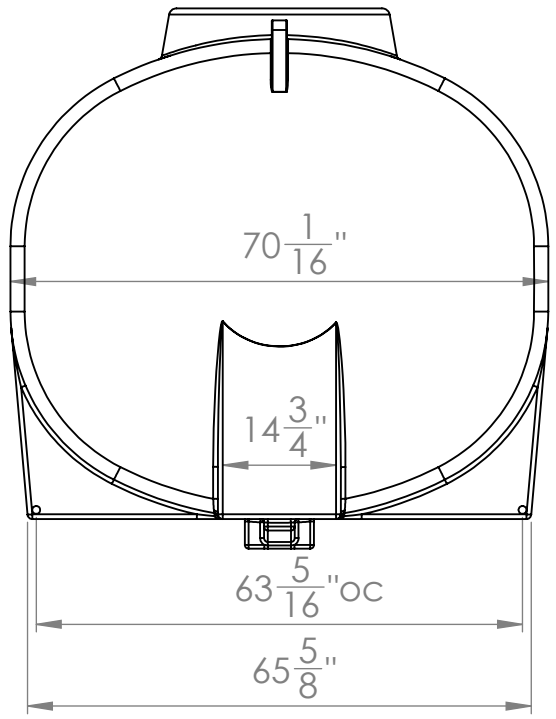
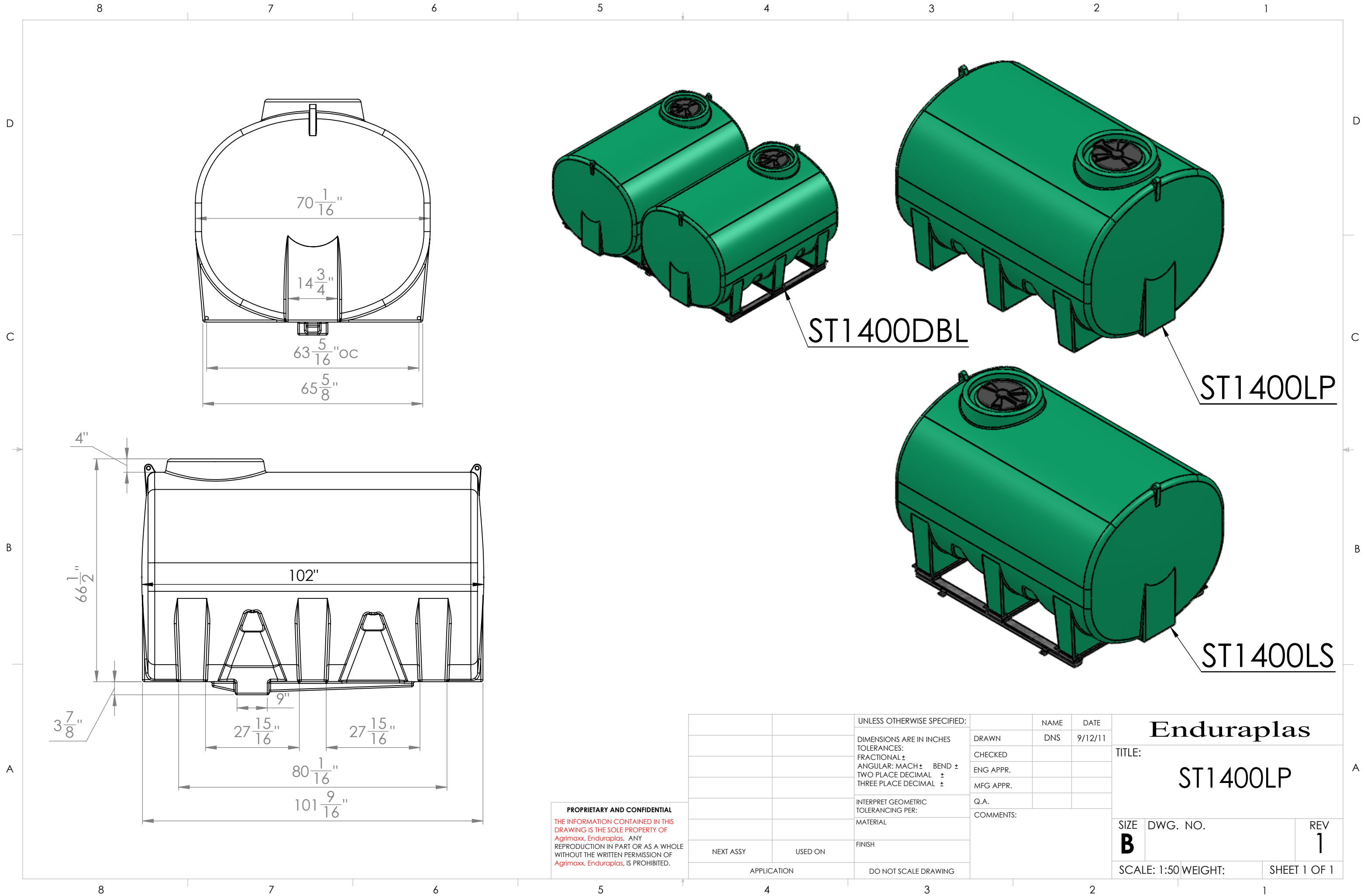
ST1200LS



PROPRIETARY AND CONFIDENTIAL
 THE INFORMATION CONTAINED IN THIS DRAWING IS THE SOLE PROPERTY OF Agrimaxx, Enduraplas. ANY REPRODUCTION IN PART OR AS A WHOLE WITHOUT THE WRITTEN PERMISSION OF Agrimaxx, Enduraplas, IS PROHIBITED.

		UNLESS OTHERWISE SPECIFIED:		NAME	DATE	Enduraplas	
		DIMENSIONS ARE IN INCHES TOLERANCES: FRACTIONAL ± ANGULAR: MACH ± BEND ± TWO PLACE DECIMAL ± THREE PLACE DECIMAL ±		DRAWN	DNS		
		INTERPRET GEOMETRIC TOLERANCING PER:		CHECKED			TITLE:
		MATERIAL		ENG APPR.			ST1200LP
		FINISH		MFG APPR.			SIZE
NEXT ASSY	USED ON			Q.A.			DWG. NO.
APPLICATION		DO NOT SCALE DRAWING		COMMENTS:			REV
							1
							SCALE: 1:50 WEIGHT:
							SHEET 1 OF 1

8 7 6 5 4 3 2 1



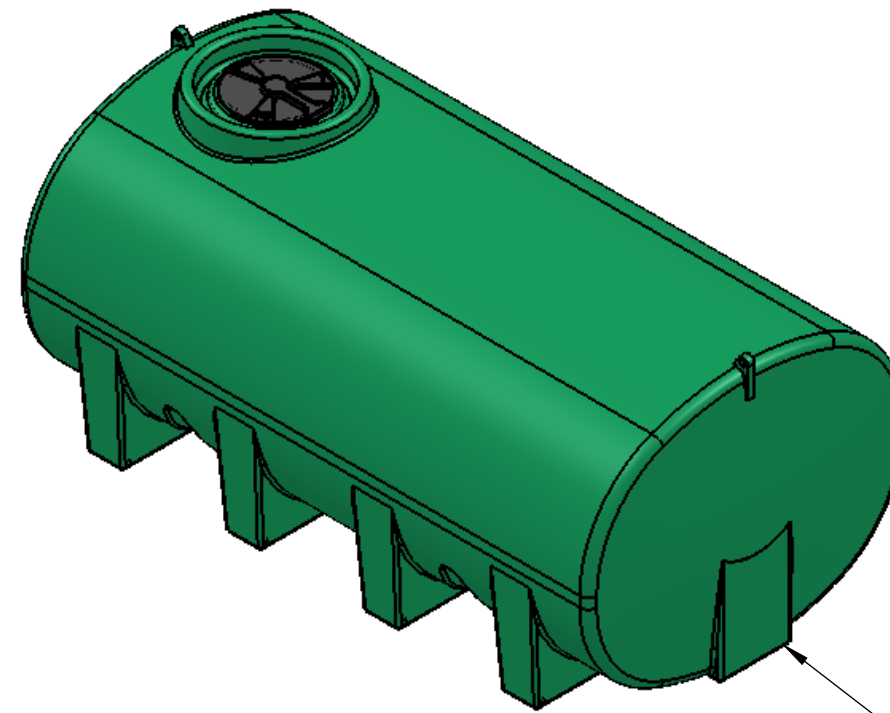
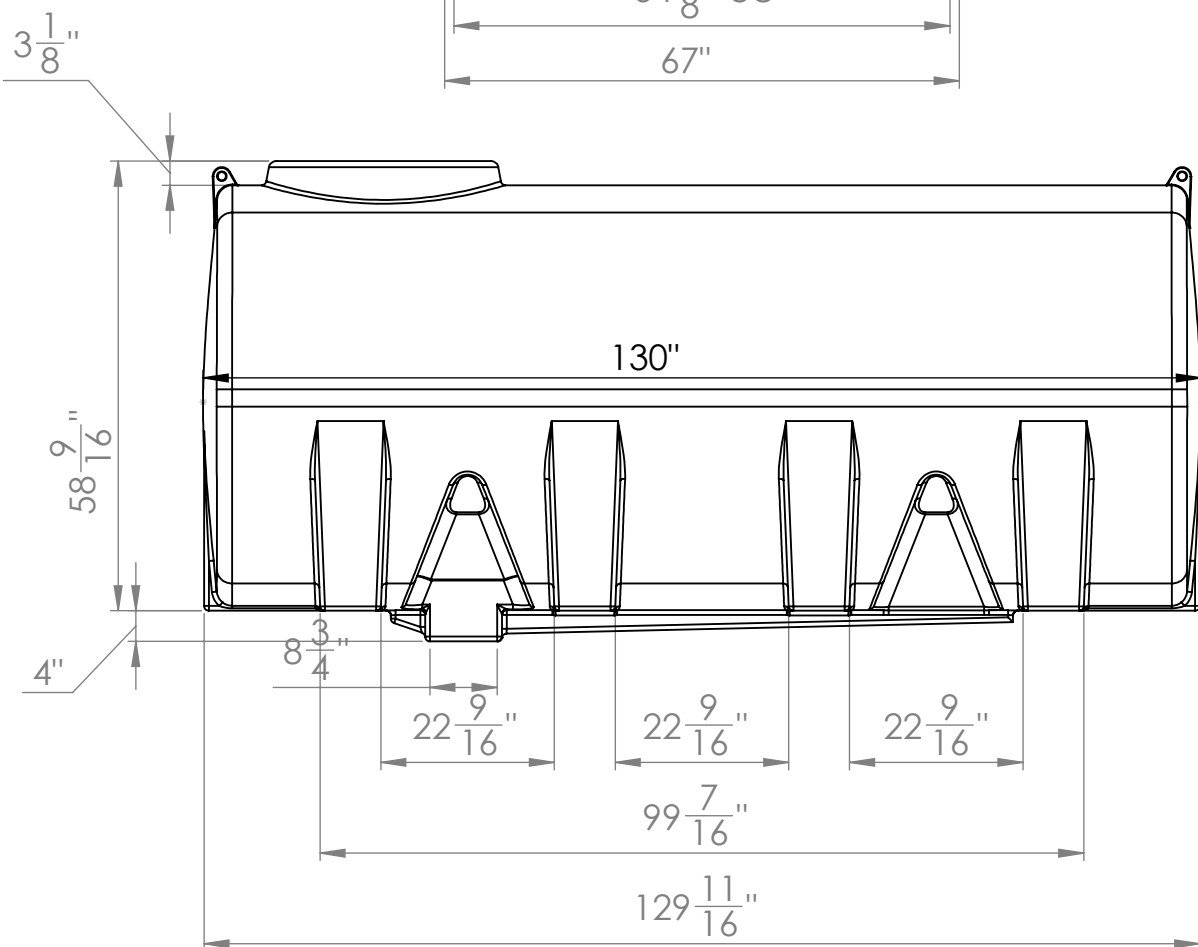
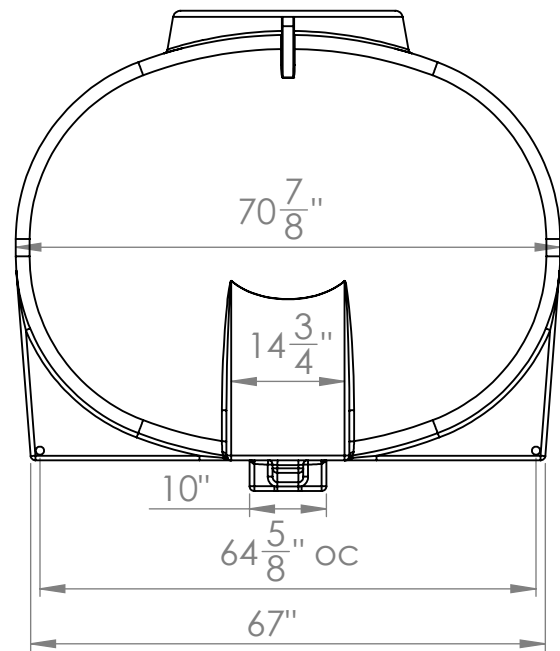
PROPRIETARY AND CONFIDENTIAL
 THE INFORMATION CONTAINED IN THIS DRAWING IS THE SOLE PROPERTY OF Agrimaxx, Enduraplas. ANY REPRODUCTION IN PART OR AS A WHOLE WITHOUT THE WRITTEN PERMISSION OF Agrimaxx, Enduraplas, IS PROHIBITED.

		UNLESS OTHERWISE SPECIFIED:		NAME	DATE	Enduraplas	
		DIMENSIONS ARE IN INCHES		DRAWN	DNS		
		TOLERANCES:		CHECKED			TITLE:
		FRACTIONAL ±		ENG APPR.			ST1400LP
		ANGULAR: MACH ± BEND ±		MFG APPR.			SIZE
		TWO PLACE DECIMAL ±		Q.A.			DWG. NO.
		THREE PLACE DECIMAL ±		COMMENTS:			REV
		INTERPRET GEOMETRIC TOLERANCING PER:					1
		MATERIAL					SCALE: 1:50
		FINISH					WEIGHT:
NEXT ASSY	USED ON	DO NOT SCALE DRAWING					SHEET 1 OF 1
APPLICATION							

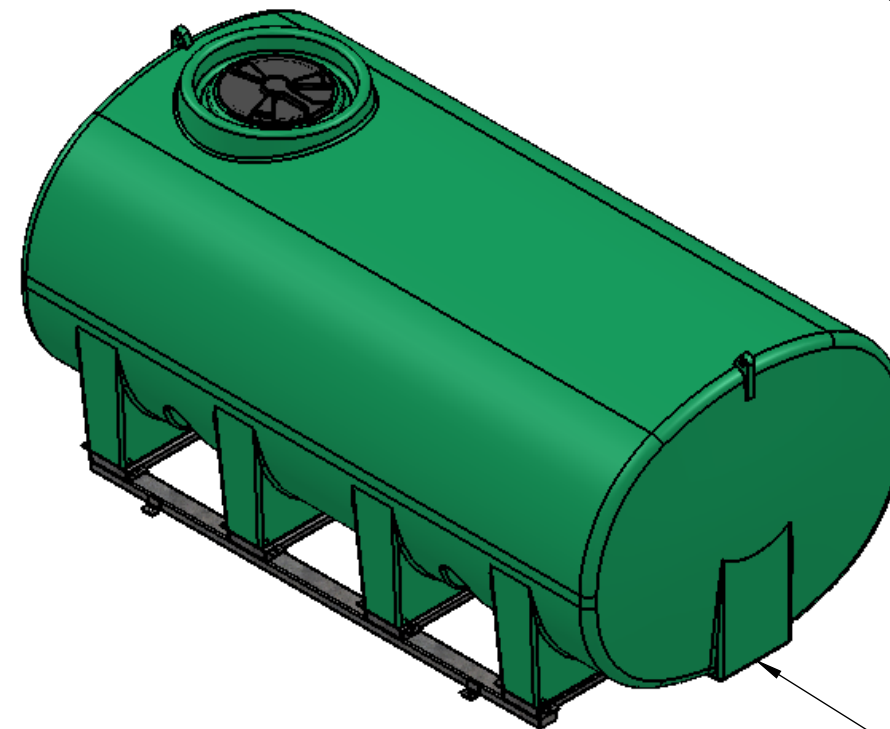
8 7 6 5 4 3 2 1

D
C
B
A

D
C
B
A



ST1600LP

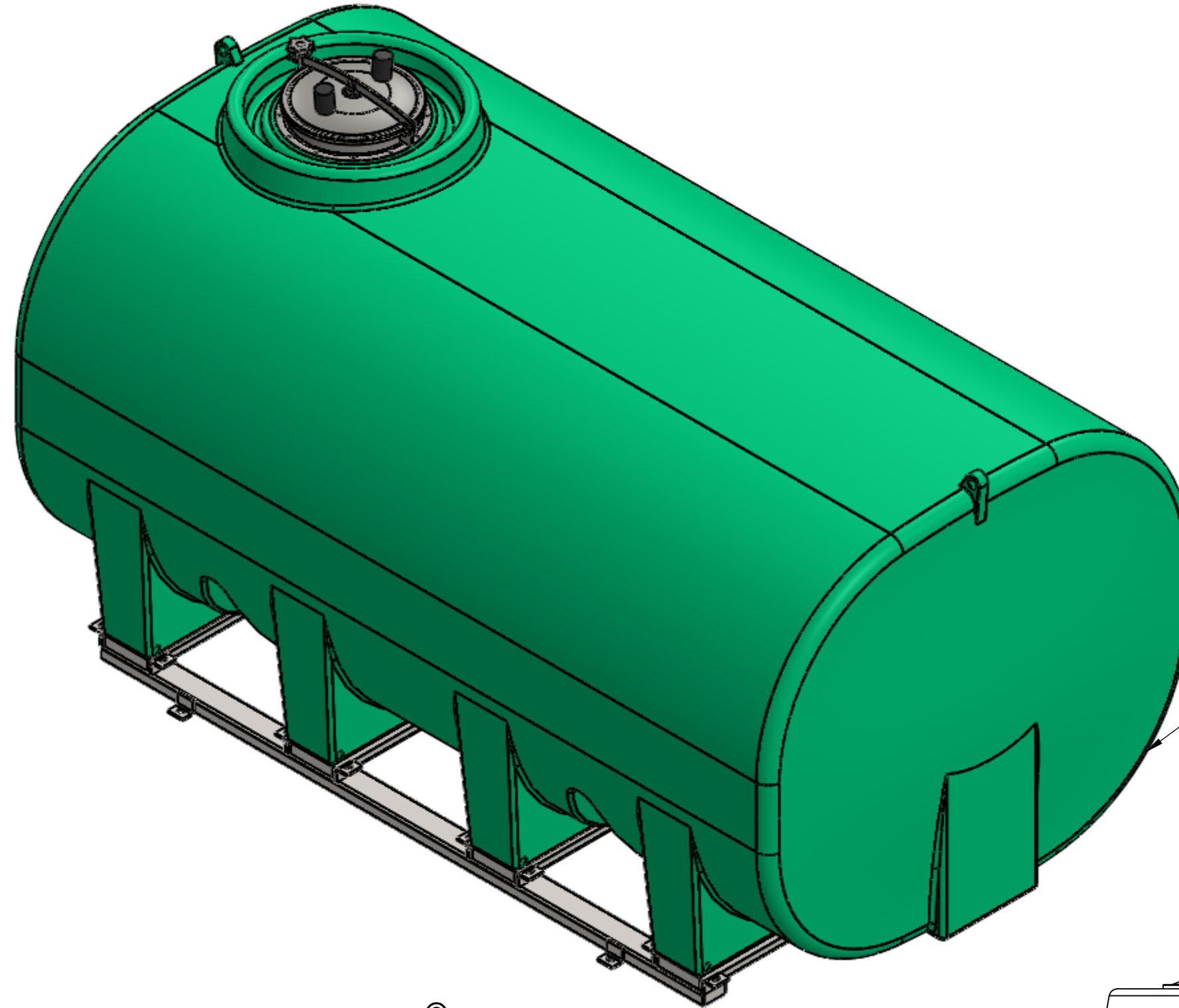


ST1600LS

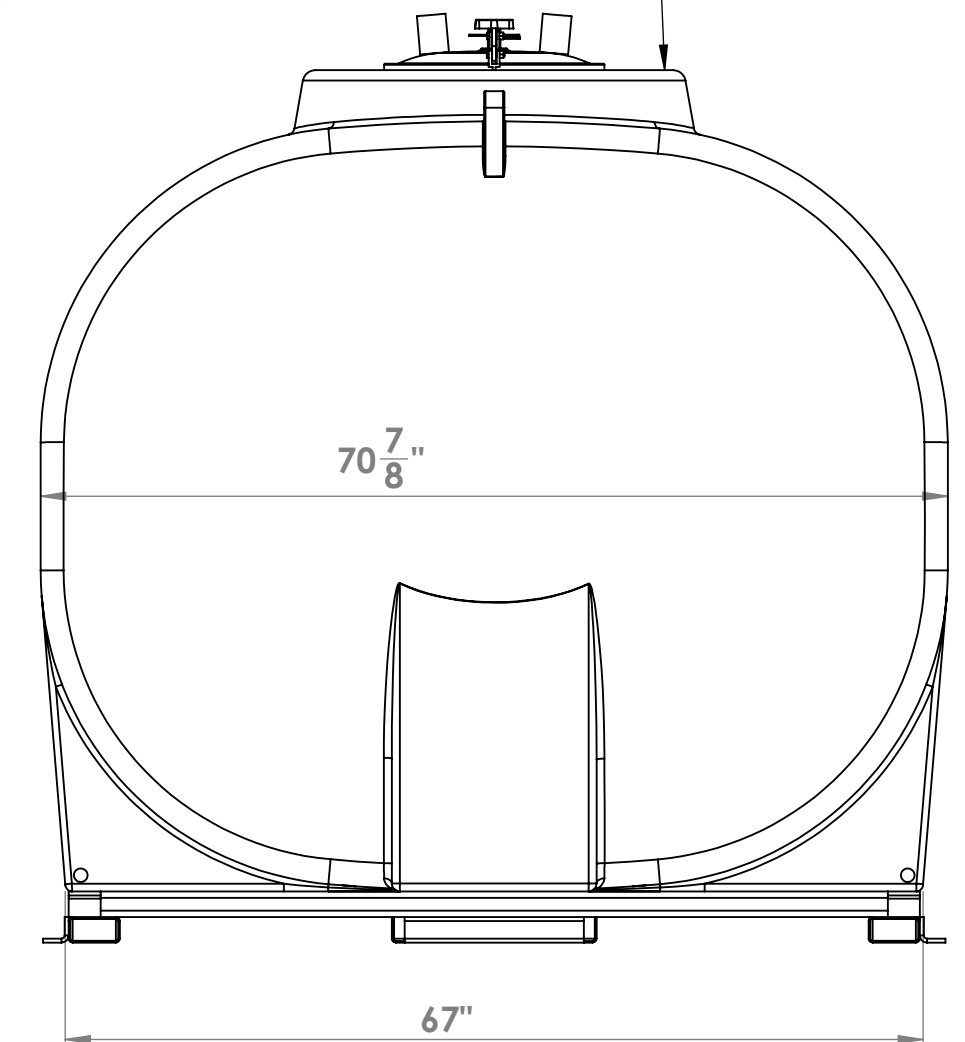
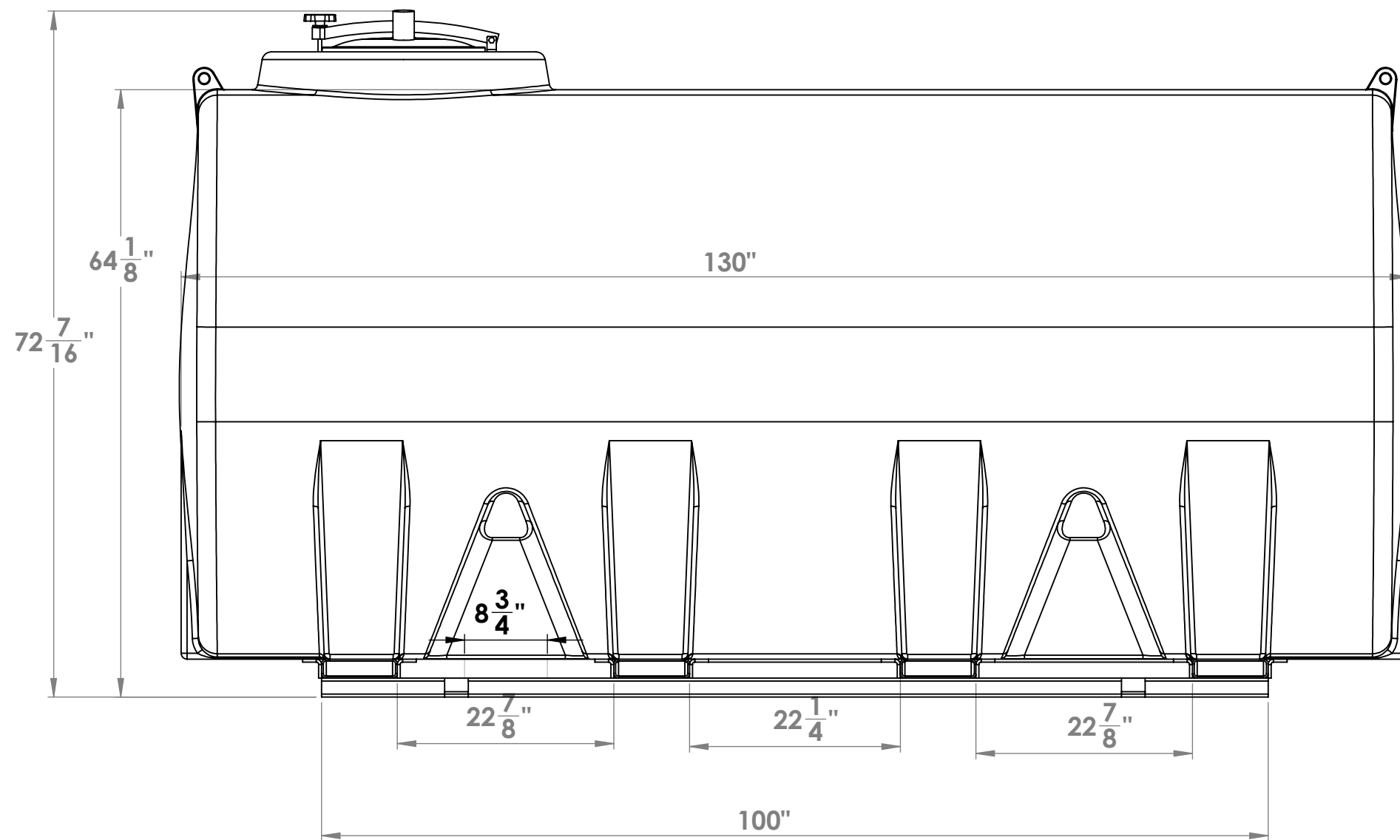
PROPRIETARY AND CONFIDENTIAL
 THE INFORMATION CONTAINED IN THIS DRAWING IS THE SOLE PROPERTY OF Agrimaxx, Enduraplas. ANY REPRODUCTION IN PART OR AS A WHOLE WITHOUT THE WRITTEN PERMISSION OF Agrimaxx, Enduraplas, IS PROHIBITED.

		UNLESS OTHERWISE SPECIFIED:		NAME	DATE	Enduraplas	
		DIMENSIONS ARE IN INCHES TOLERANCES: FRACTIONAL ± ANGULAR: MACH ± BEND ± TWO PLACE DECIMAL ± THREE PLACE DECIMAL ±		DRAWN	DNS		
		INTERPRET GEOMETRIC TOLERANCING PER:		CHECKED		TITLE: ST1600LP	
		MATERIAL		ENG APPR.			
		FINISH		MFG APPR.		SIZE DWG. NO. REV	
NEXT ASSY	USED ON	DO NOT SCALE DRAWING		Q.A.		SCALE: 1:50 WEIGHT: SHEET 1 OF 1	
APPLICATION				COMMENTS:			

NOTE: ALLOW +/- 1.5% SHRINKAGE



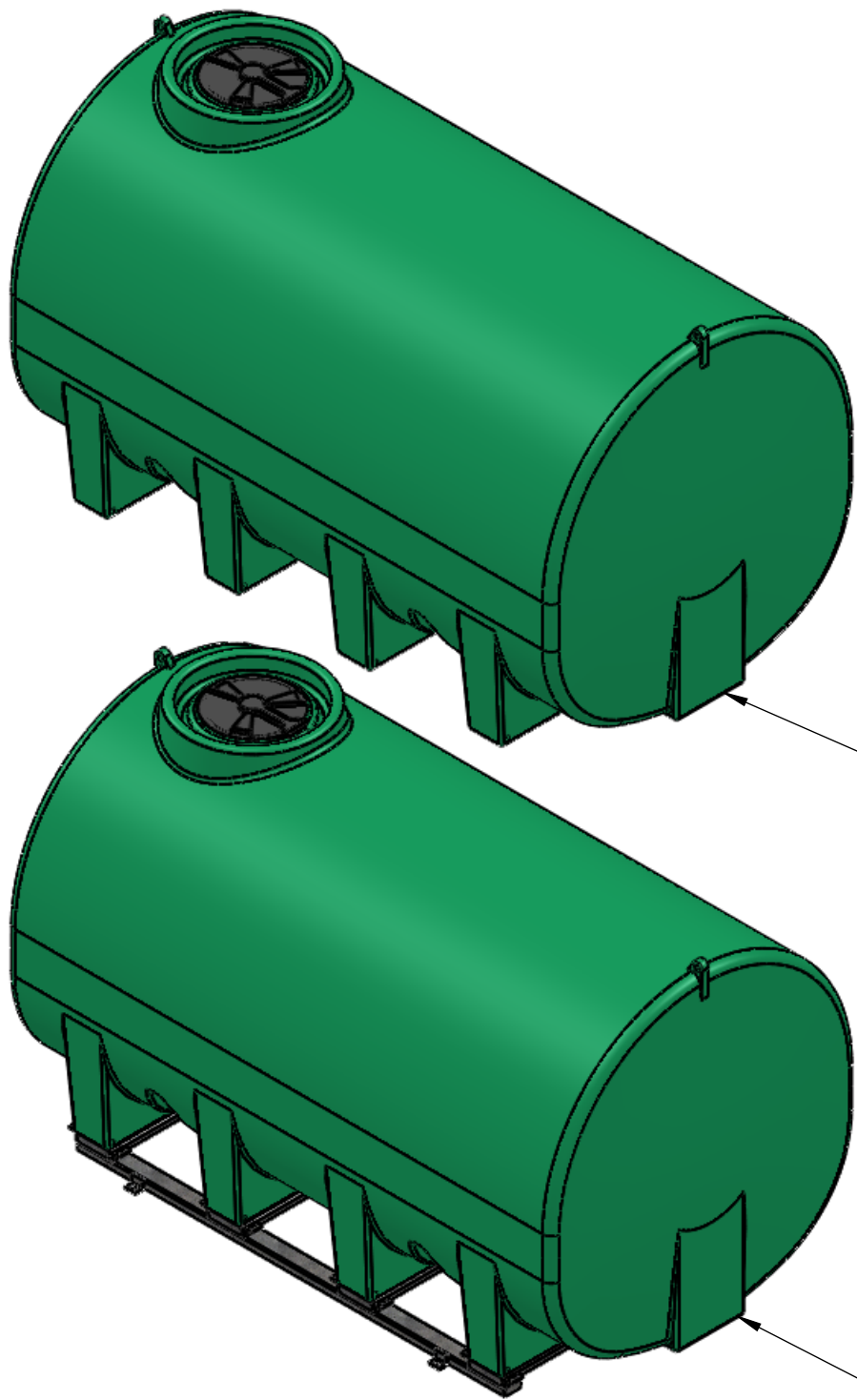
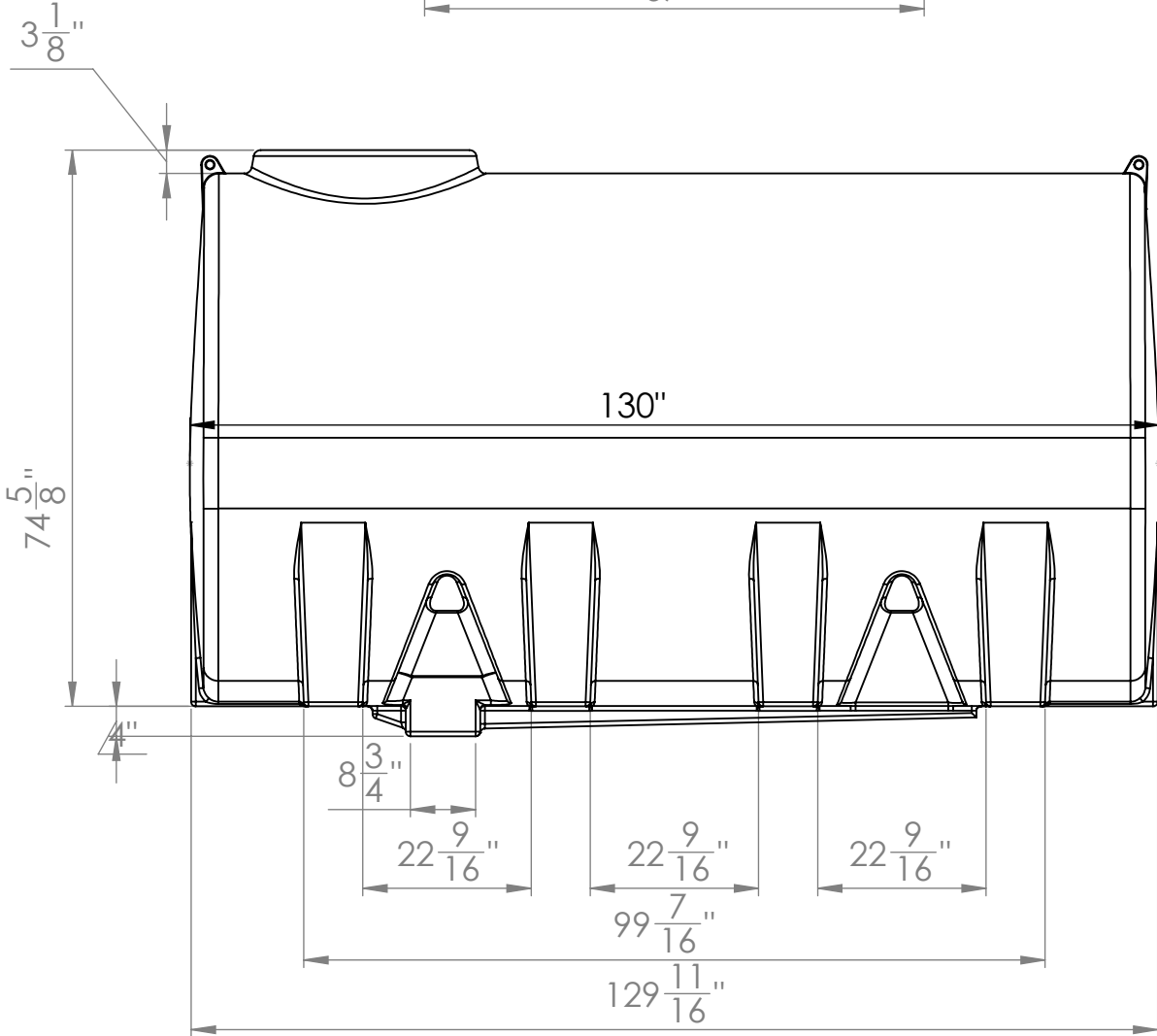
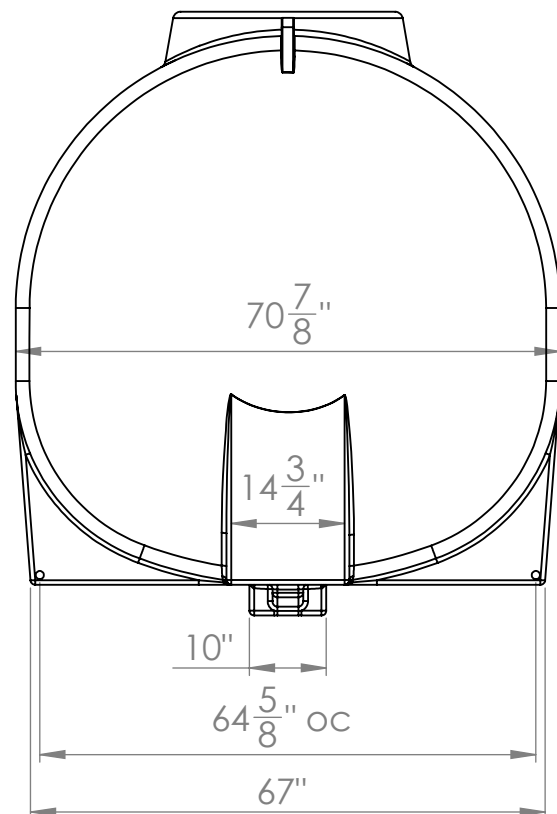
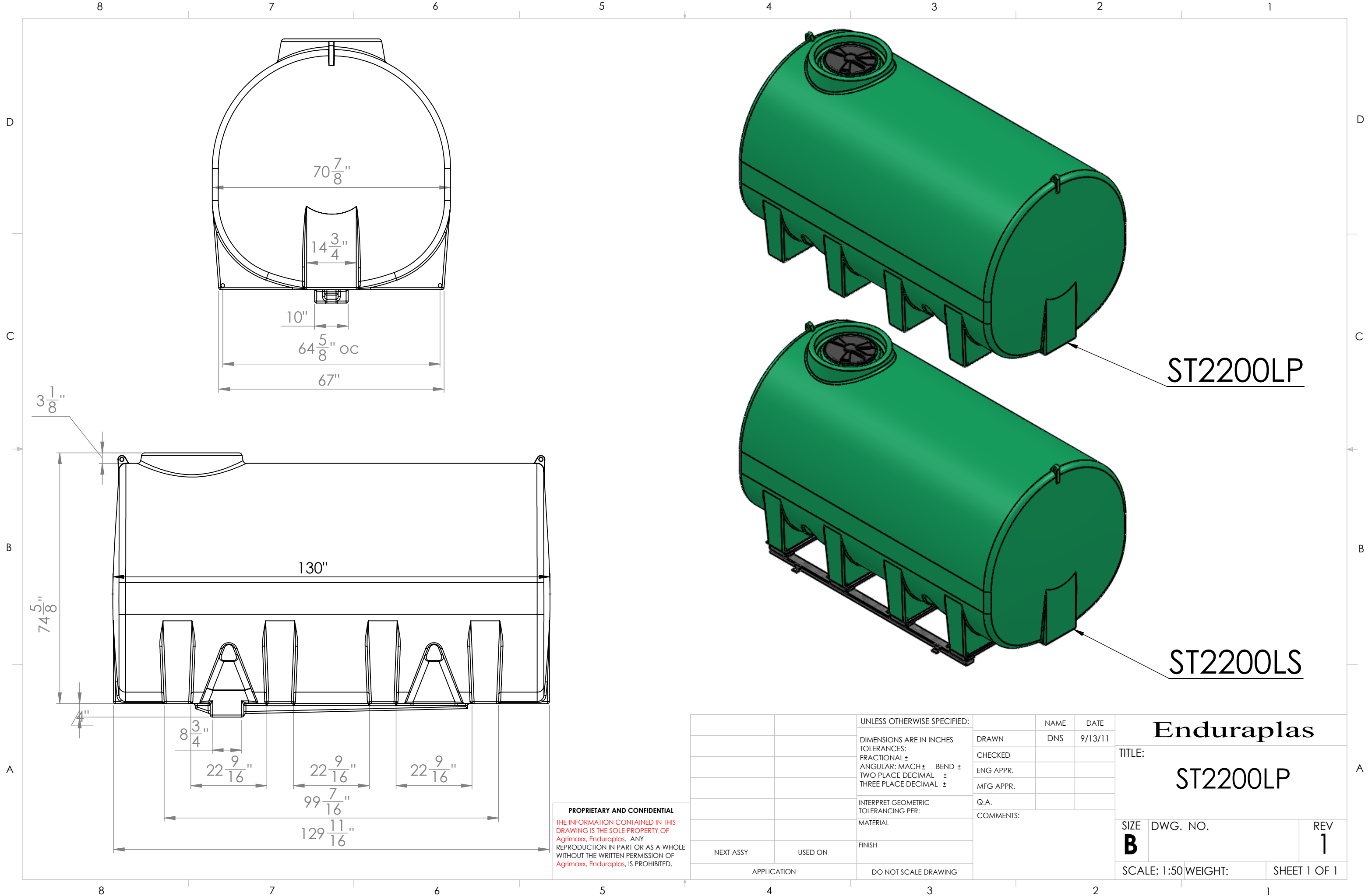
ST1900LS



PROPRIETARY AND CONFIDENTIAL
 THE INFORMATION CONTAINED IN THIS
 DRAWING IS THE SOLE PROPERTY OF
ENDURAPLAS LLC. ANY
 REPRODUCTION IN PART OR AS A WHOLE
 WITHOUT THE WRITTEN PERMISSION OF
ENDURAPLAS LLC IS PROHIBITED.

UNLESS OTHERWISE SPECIFIED:		NAME	DATE
DIMENSIONS ARE IN INCHES		DRAWN	DNS
TOLERANCES:		CHECKED	
FRACTIONAL ±		ENG APPR.	
ANGULAR: MACH ±		MFG APPR.	
BEND ±		Q.A.	
TWO PLACE DECIMAL ±		COMMENTS:	
THREE PLACE DECIMAL ±			
INTERPRET GEOMETRIC TOLERANCING PER:	FINISH		
MATERIAL	DO NOT SCALE DRAWING		
NEXT ASSY	USED ON		
APPLICATION			

ENDURAPLAS LLC		
TITLE:		
ST1900LP		
SIZE	DWG. NO.	REV
C		1
SCALE: 1:20 WEIGHT:	SHEET 1 OF 1	

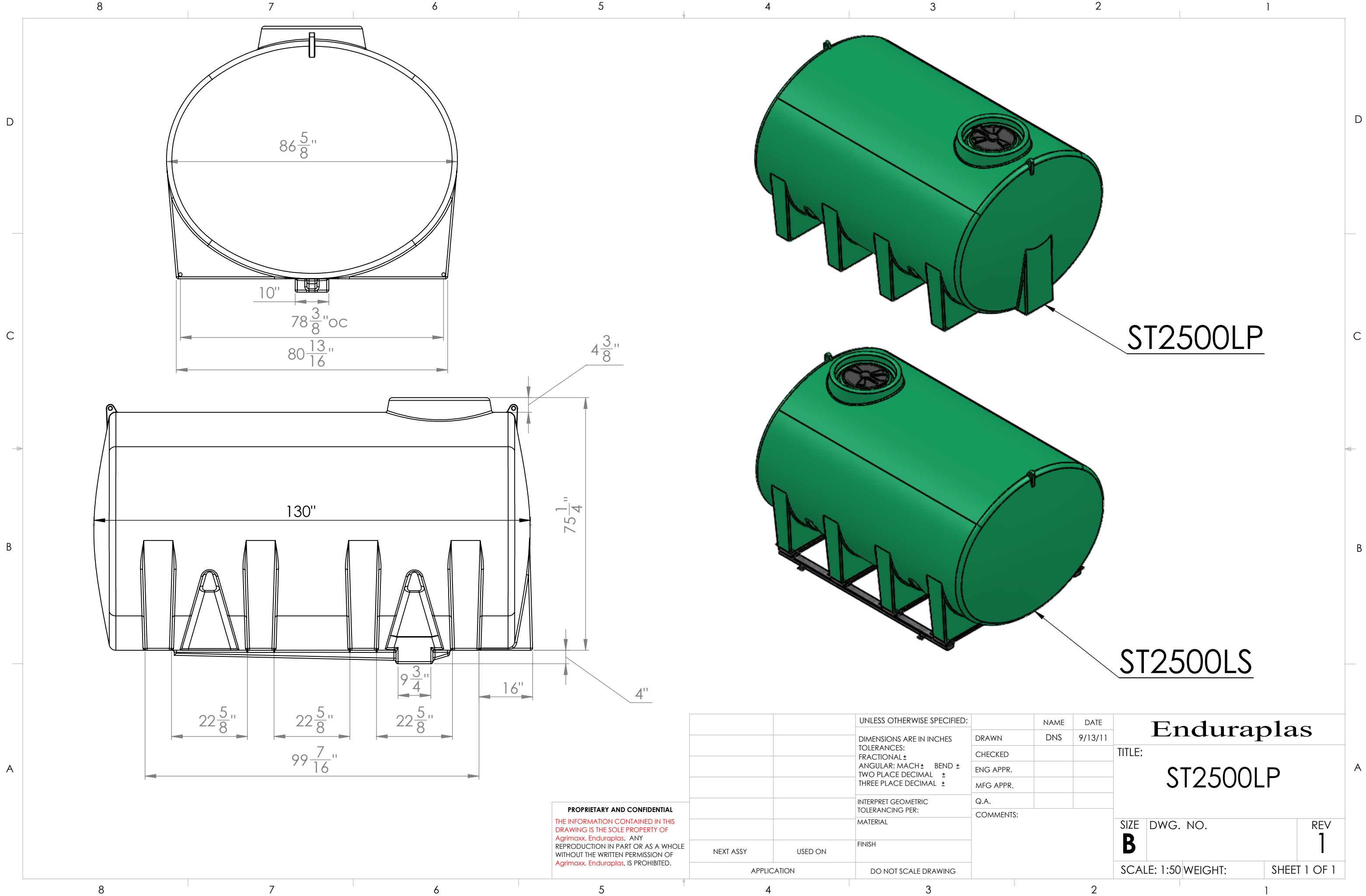


ST2200LP

ST2200LS

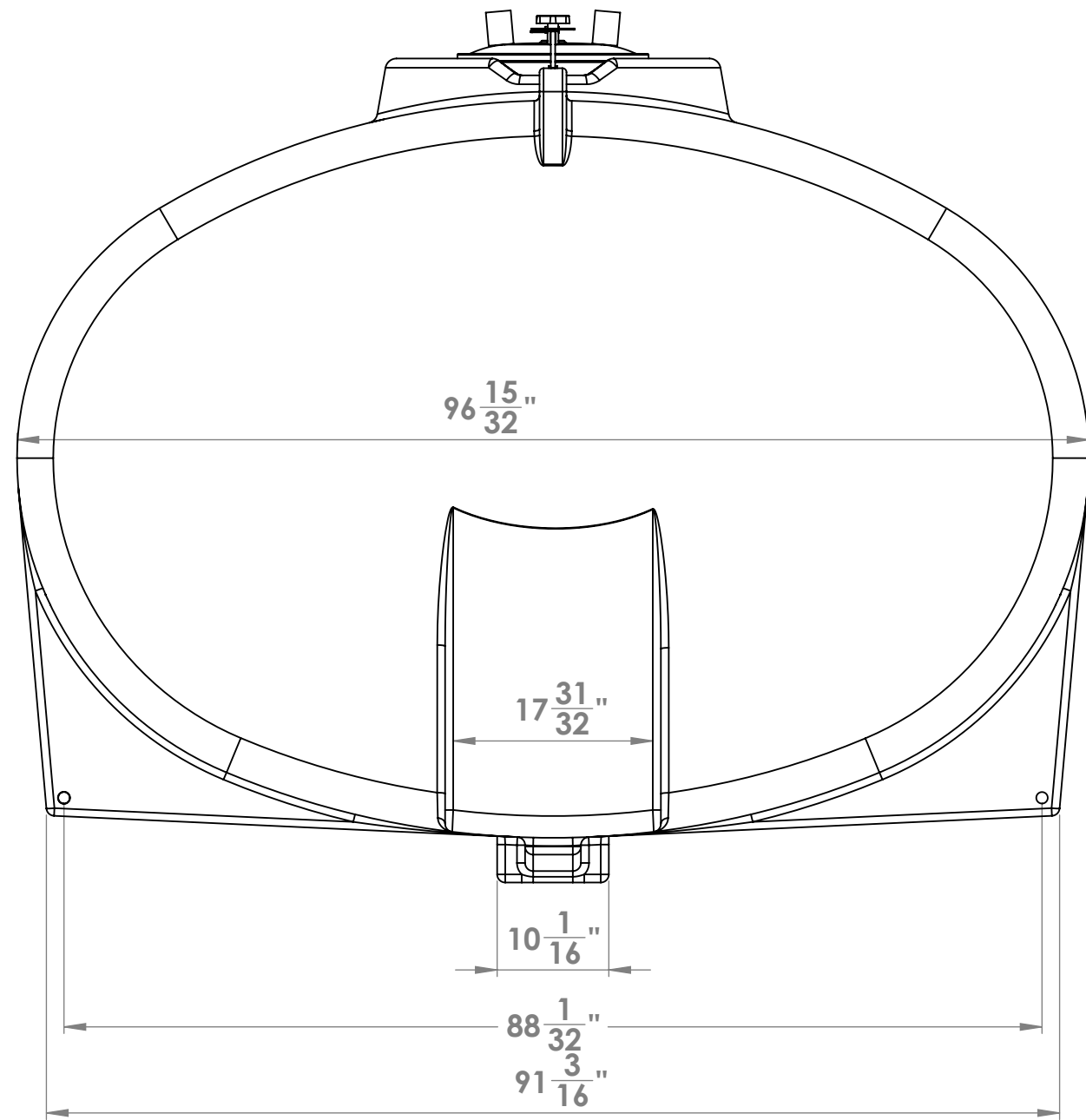
PROPRIETARY AND CONFIDENTIAL
 THE INFORMATION CONTAINED IN THIS DRAWING IS THE SOLE PROPERTY OF Agrimaxx, Enduraplas. ANY REPRODUCTION IN PART OR AS A WHOLE WITHOUT THE WRITTEN PERMISSION OF Agrimaxx, Enduraplas, IS PROHIBITED.

		UNLESS OTHERWISE SPECIFIED:		NAME	DATE	Enduraplas	
		DIMENSIONS ARE IN INCHES		DRAWN	DNS		
		TOLERANCES:		CHECKED			TITLE: ST2200LP
		FRACTIONAL ±		ENG APPR.			
		ANGULAR: MACH ± BEND ±		MFG APPR.			
		TWO PLACE DECIMAL ±		Q.A.			SIZE DWG. NO. REV B 1
		THREE PLACE DECIMAL ±		COMMENTS:			
		INTERPRET GEOMETRIC TOLERANCING PER:					SCALE: 1:50 WEIGHT: SHEET 1 OF 1
		MATERIAL					
		FINISH					
NEXT ASSY	USED ON	DO NOT SCALE DRAWING					
APPLICATION							

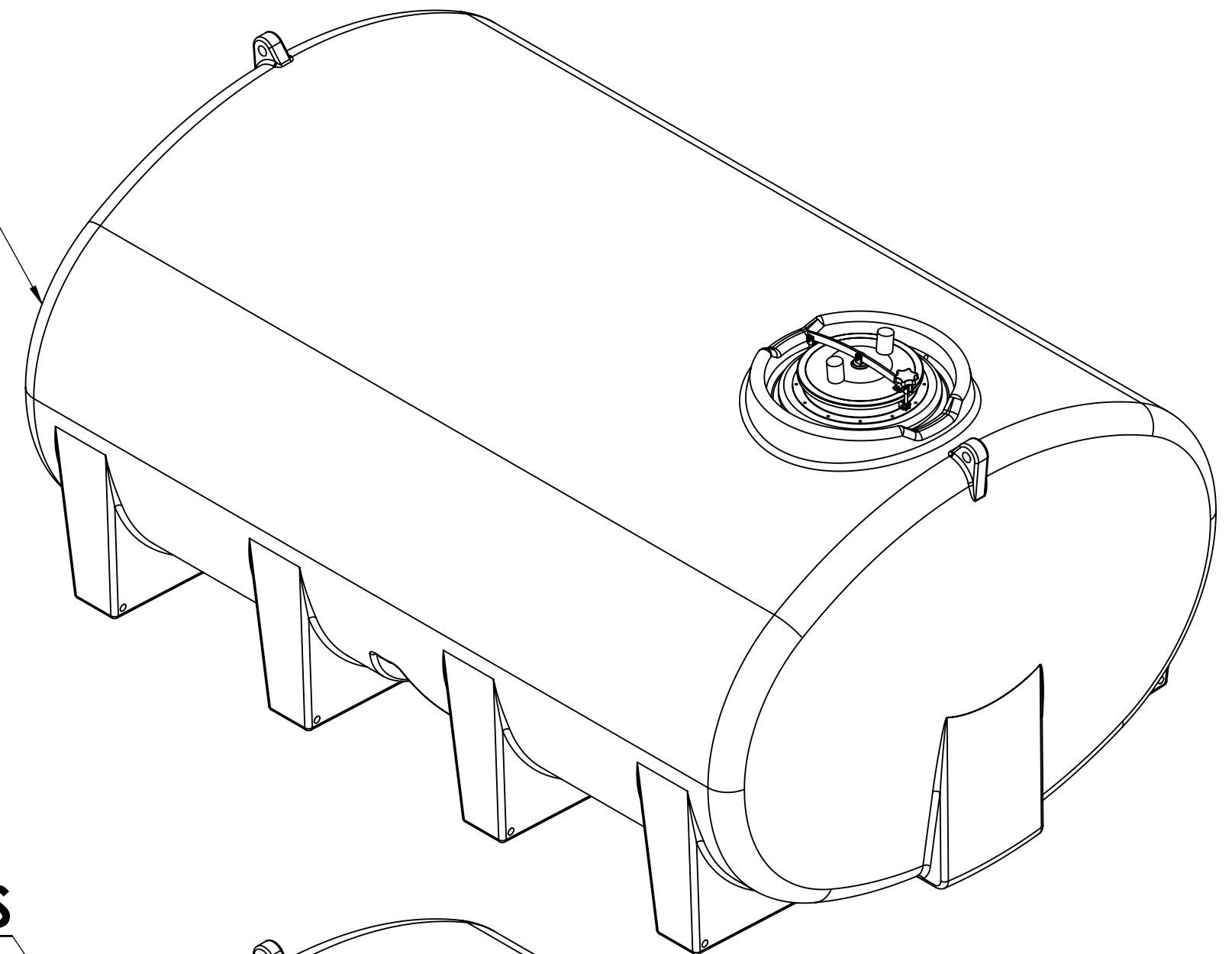


PROPRIETARY AND CONFIDENTIAL
 THE INFORMATION CONTAINED IN THIS DRAWING IS THE SOLE PROPERTY OF Agrimaxx, Enduraplas. ANY REPRODUCTION IN PART OR AS A WHOLE WITHOUT THE WRITTEN PERMISSION OF Agrimaxx, Enduraplas, IS PROHIBITED.

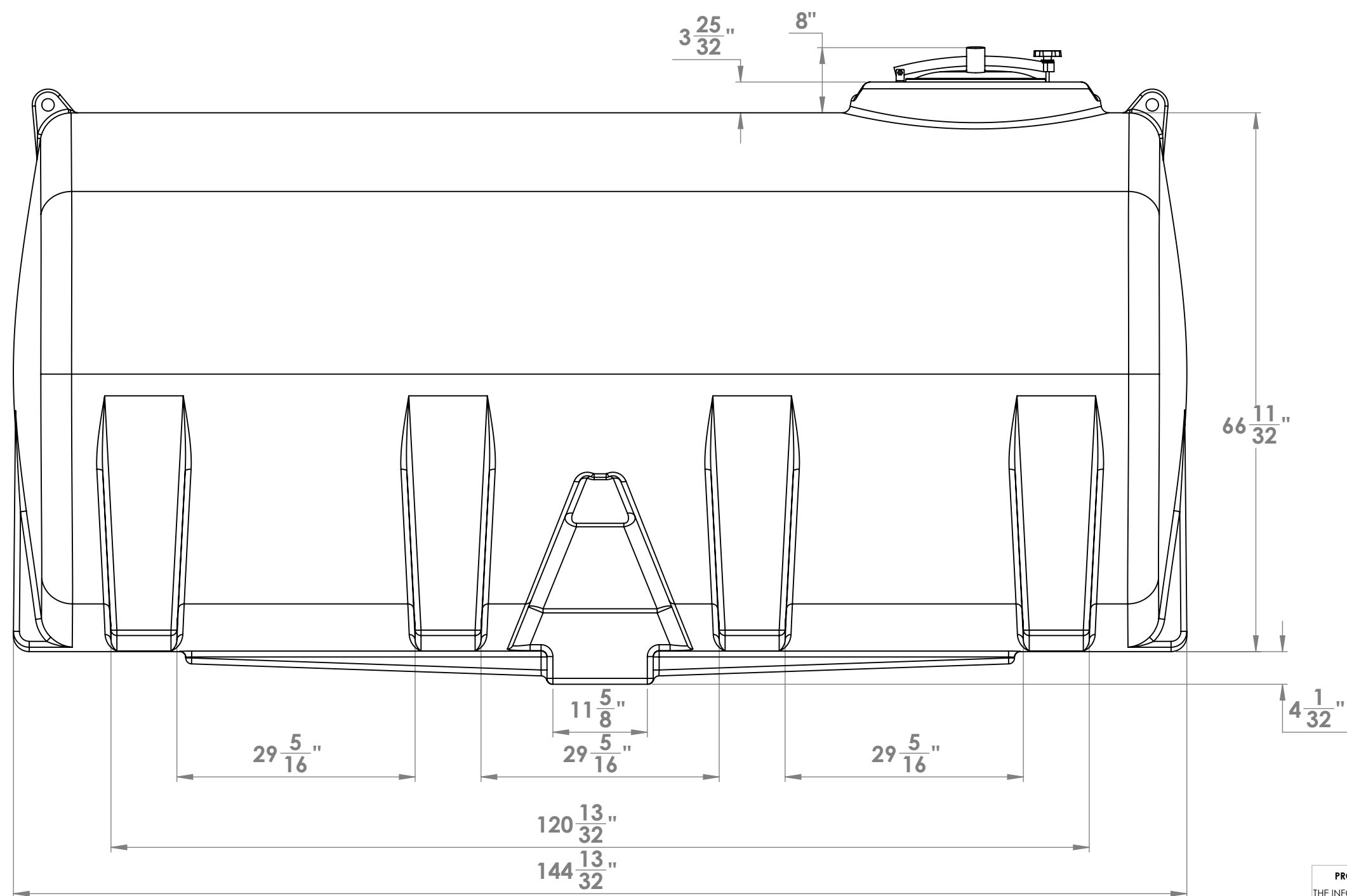
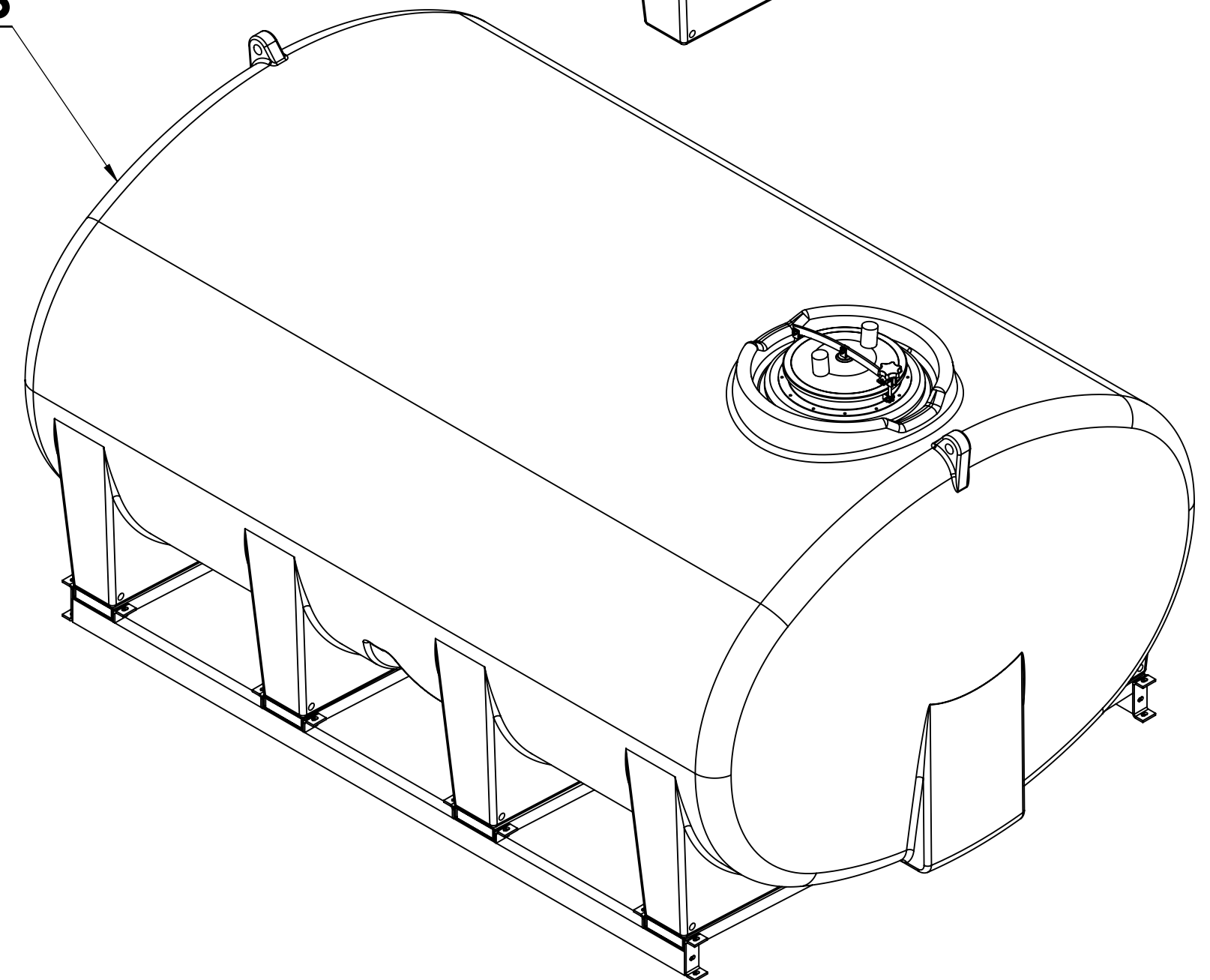
		UNLESS OTHERWISE SPECIFIED:		NAME	DATE	Enduraplas	
		DIMENSIONS ARE IN INCHES		DRAWN	DNS		
		TOLERANCES:		CHECKED			TITLE:
		FRACTIONAL ±		ENG APPR.			ST2500LP
		ANGULAR: MACH ± BEND ±		MFG APPR.			SIZE
		TWO PLACE DECIMAL ±		Q.A.			DWG. NO.
		THREE PLACE DECIMAL ±		COMMENTS:			REV
		INTERPRET GEOMETRIC TOLERANCING PER:					1
		MATERIAL					SCALE: 1:50
		FINISH					WEIGHT:
NEXT ASSY	USED ON	DO NOT SCALE DRAWING					SHEET 1 OF 1
APPLICATION							



ST2800LP



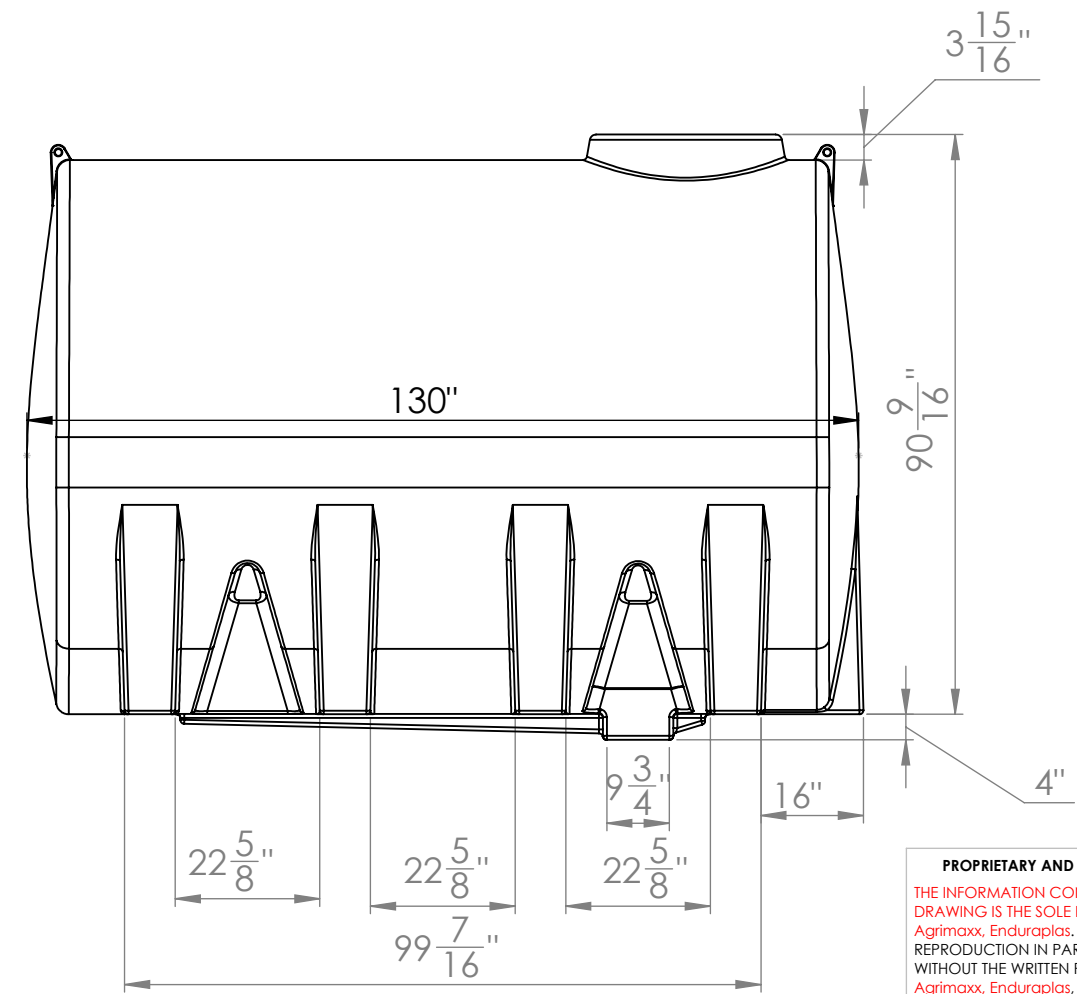
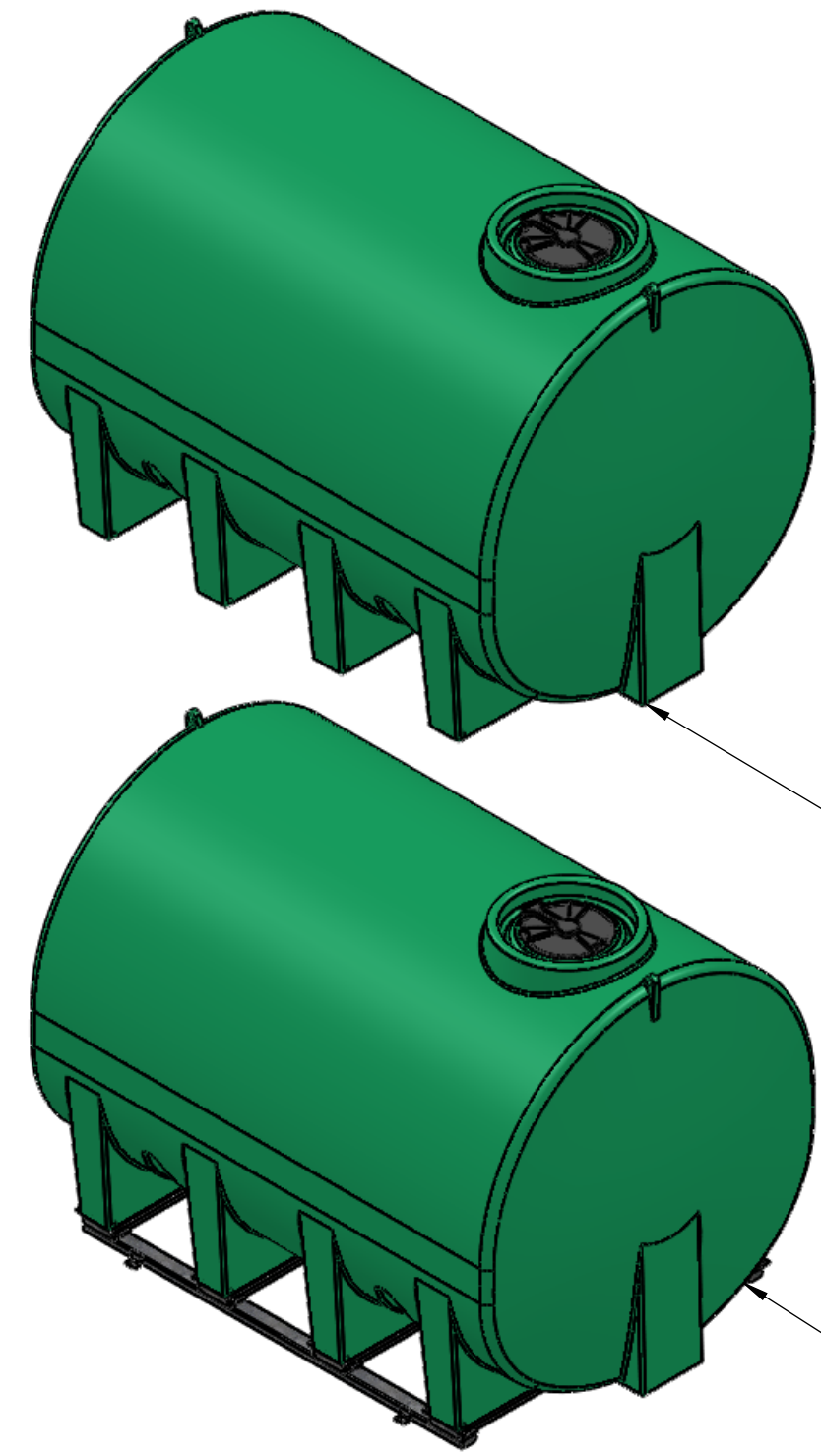
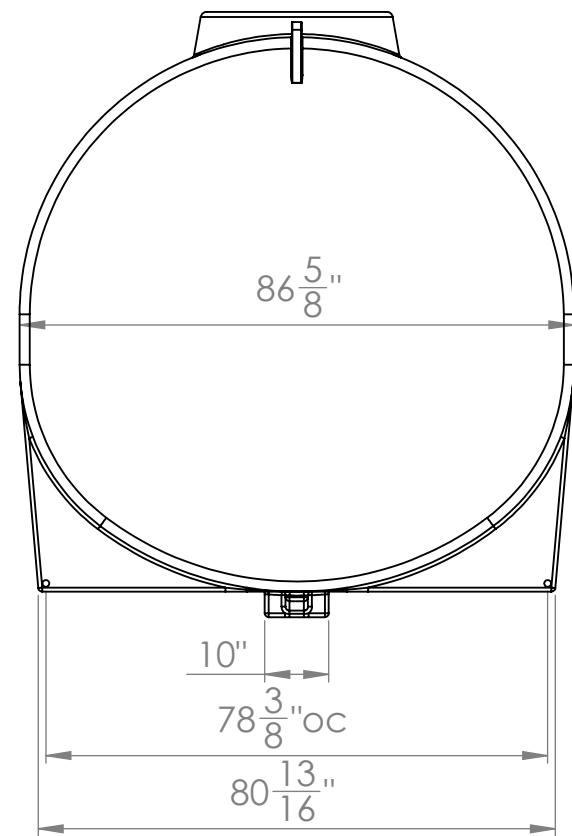
ST2800LS



NOTE: ALLOW +/- 1.5% SHRINKAGE

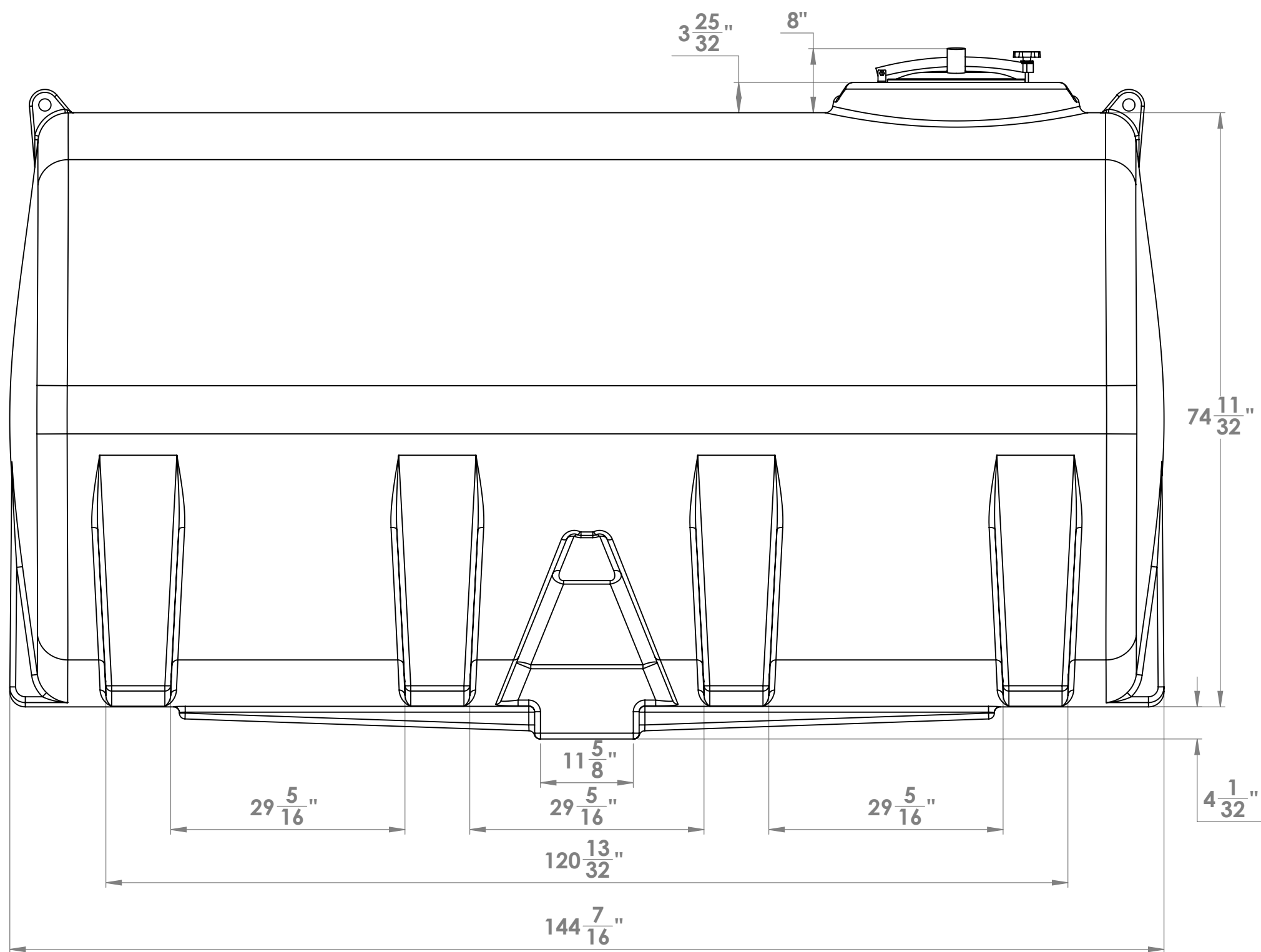
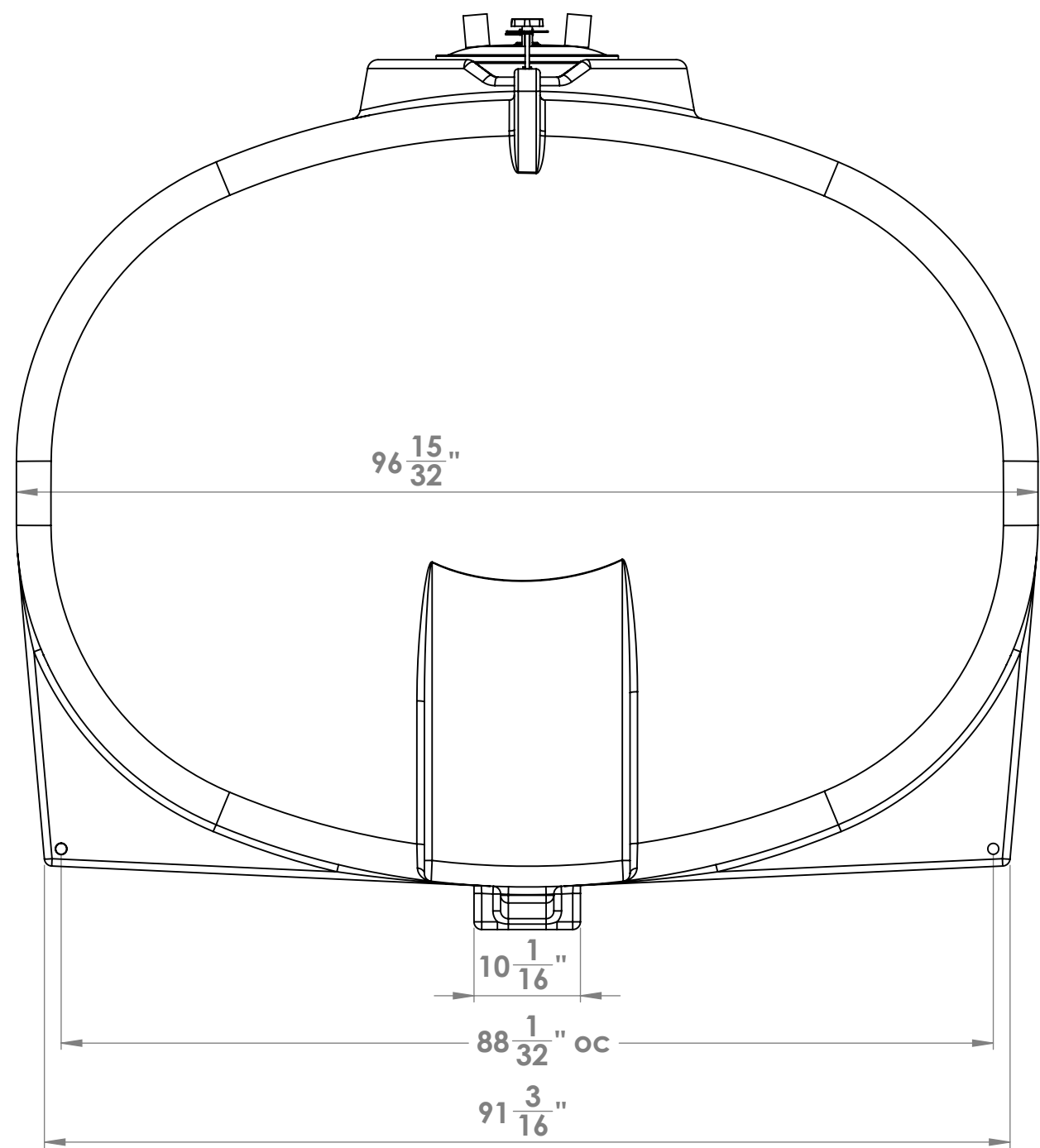
PROPRIETARY AND CONFIDENTIAL
THE INFORMATION CONTAINED IN THIS
DRAWING IS THE SOLE PROPERTY OF
ENDURAPLAS LLC. ANY
REPRODUCTION IN PART OR AS A WHOLE
WITHOUT THE WRITTEN PERMISSION OF
ENDURAPLAS LLC IS PROHIBITED.

		UNLESS OTHERWISE SPECIFIED:		NAME	DATE	ENDURAPLAS LLC	
		DIMENSIONS ARE IN INCHES		DRAWN	DNS	5/14/13	TITLE:
		TOLERANCES:		CHECKED			ST2800LP
		FRACTIONAL ±		ENG APPR.			SIZE DWG. NO.
		ANGULAR: MACH ±		MFG APPR.			C
		TWO PLACE DECIMAL ±		Q.A.			REV
		THREE PLACE DECIMAL ±		COMMENTS:			1
		INTERPRET GEOMETRIC TOLERANCING PER:					SCALE: 1:50 WEIGHT:
		MATERIAL					SHEET 1 OF 1
		FINISH					
NEXT ASSY	USED ON	APPLICATION					
		DO NOT SCALE DRAWING					



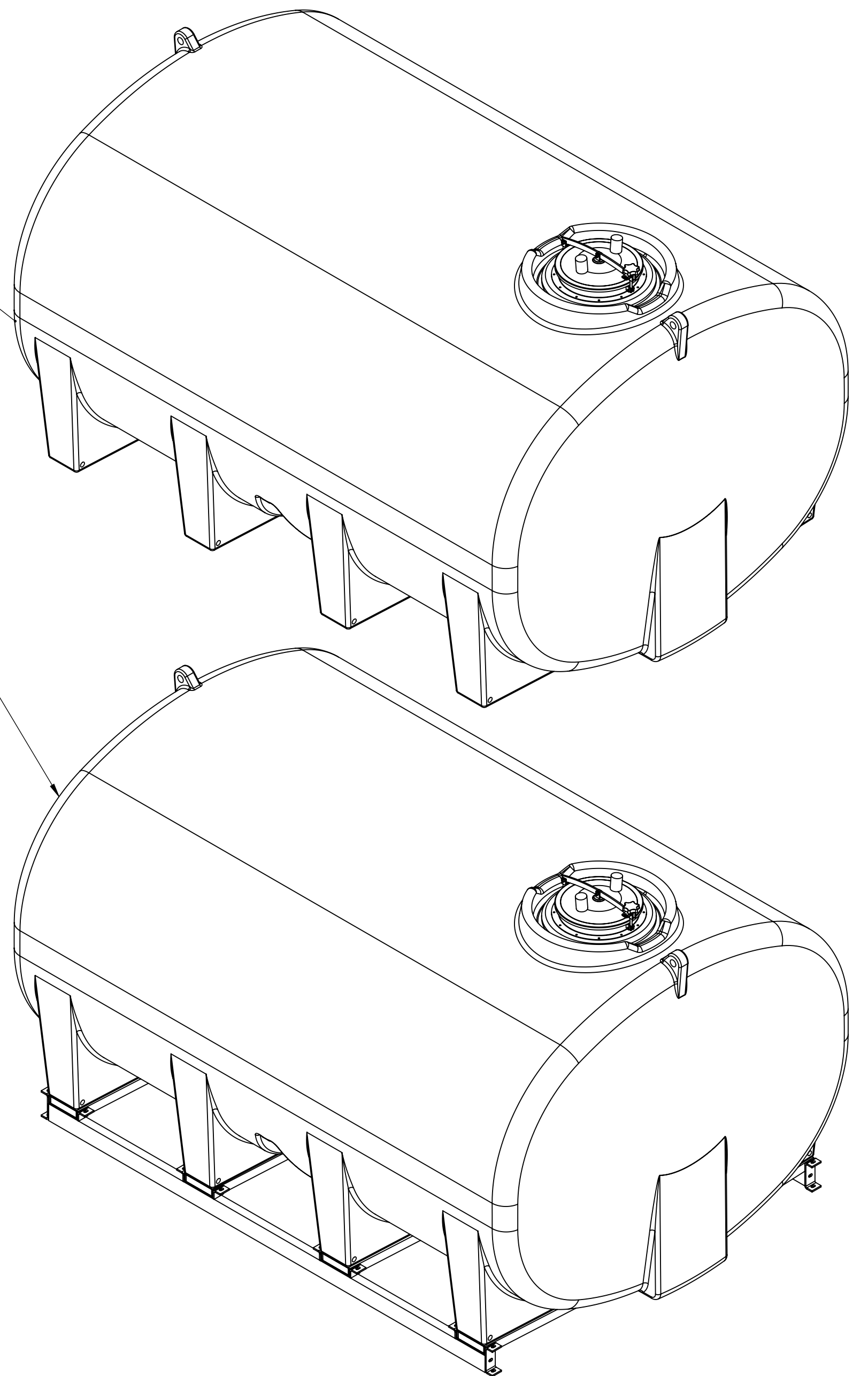
PROPRIETARY AND CONFIDENTIAL
 THE INFORMATION CONTAINED IN THIS DRAWING IS THE SOLE PROPERTY OF Agrimaxx, Enduraplas. ANY REPRODUCTION IN PART OR AS A WHOLE WITHOUT THE WRITTEN PERMISSION OF Agrimaxx, Enduraplas, IS PROHIBITED.

		UNLESS OTHERWISE SPECIFIED:		NAME	DATE	Enduraplas	
		DIMENSIONS ARE IN INCHES		DRAWN	DNS		
		TOLERANCES:		CHECKED			TITLE:
		FRACTIONAL ±		ENG APPR.			ST3000LP
		ANGULAR: MACH ± BEND ±		MFG APPR.			SIZE
		TWO PLACE DECIMAL ±		Q.A.			DWG. NO.
		THREE PLACE DECIMAL ±		COMMENTS:			REV
		INTERPRET GEOMETRIC TOLERANCING PER:					1
		MATERIAL					SCALE: 1:50
		FINISH					WEIGHT:
NEXT ASSY	USED ON	DO NOT SCALE DRAWING					SHEET 1 OF 1
APPLICATION							



ST3200LP

ST3200LS



NOTE: ALLOW +/- 1.5% SHRINKAGE

PROPRIETARY AND CONFIDENTIAL
 THE INFORMATION CONTAINED IN THIS
 DRAWING IS THE SOLE PROPERTY OF
ENDURAPLAS LLC. ANY
 REPRODUCTION IN PART OR AS A WHOLE
 WITHOUT THE WRITTEN PERMISSION OF
ENDURAPLAS LLC IS PROHIBITED.

		UNLESS OTHERWISE SPECIFIED:	NAME	DATE
		DIMENSIONS ARE IN INCHES	DRAWN	DNS
		TOLERANCES:	CHECKED	5/14/13
		FRACTIONAL ±	ENG APPR.	
		ANGULAR: MATCH ±	MFG APPR.	
		TWO PLACE DECIMAL ±	Q.A.	
		THREE PLACE DECIMAL ±	COMMENTS:	
	NEXT ASSY	USED ON	FINISH	
	APPLICATION	DO NOT SCALE DRAWING		

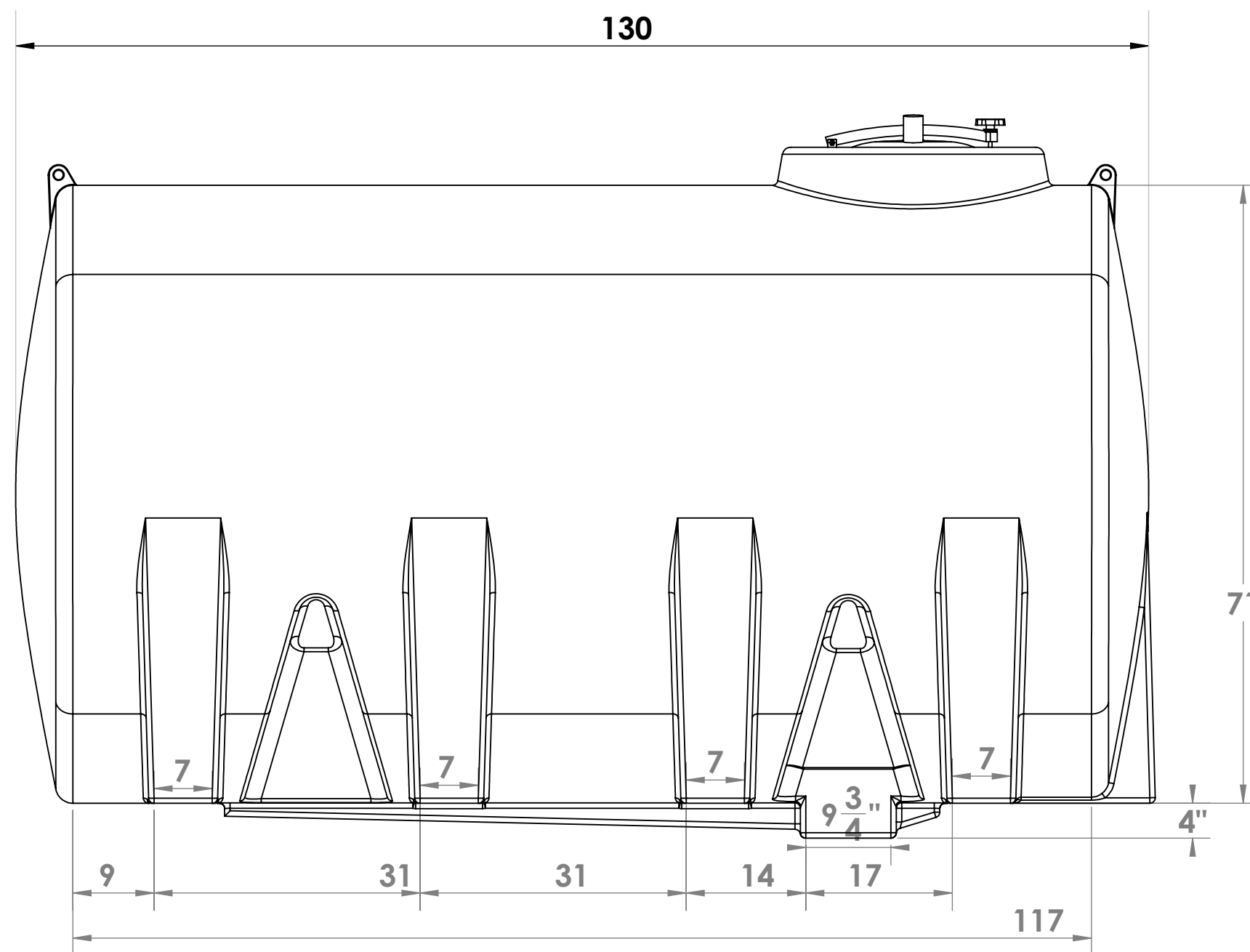
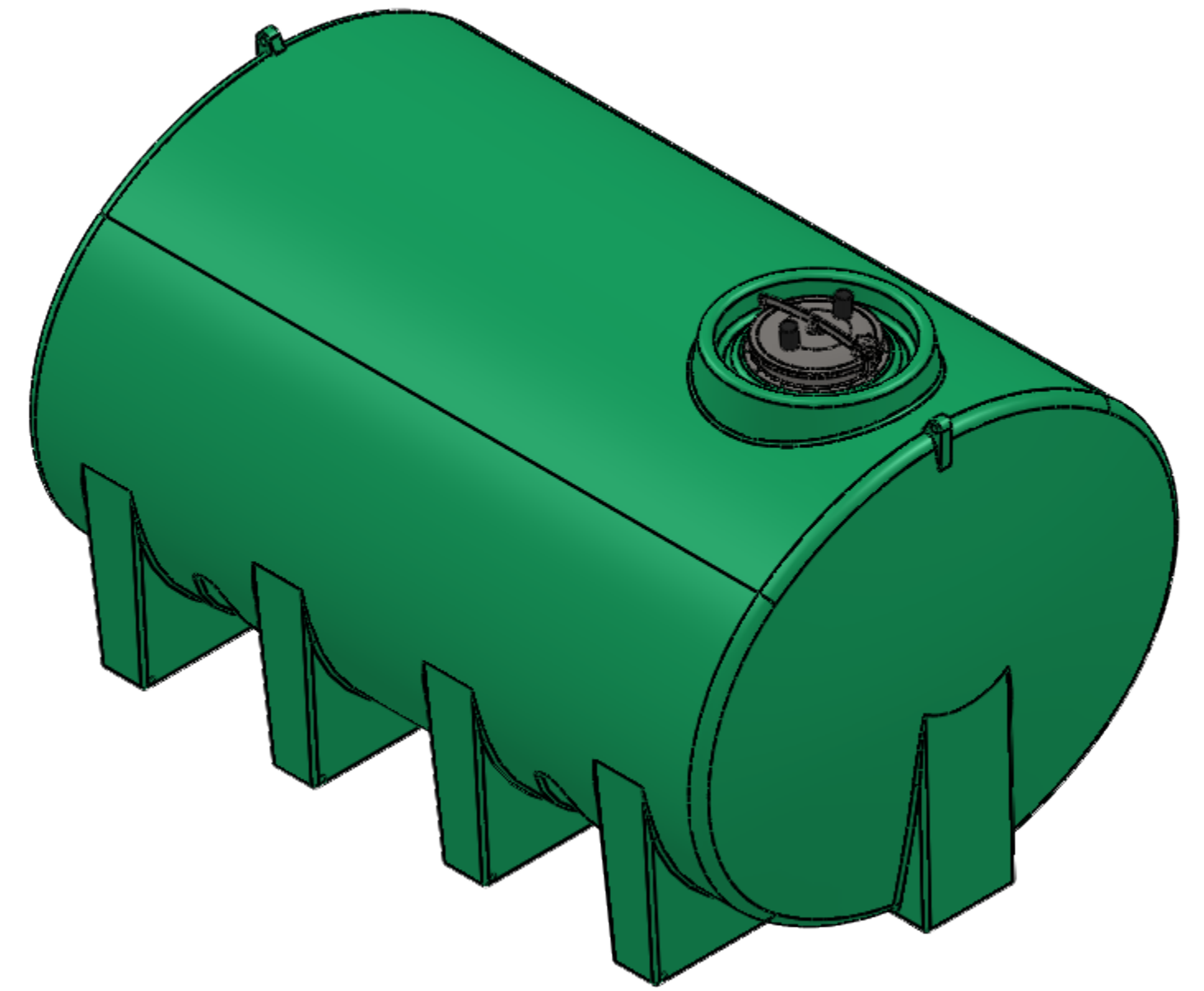
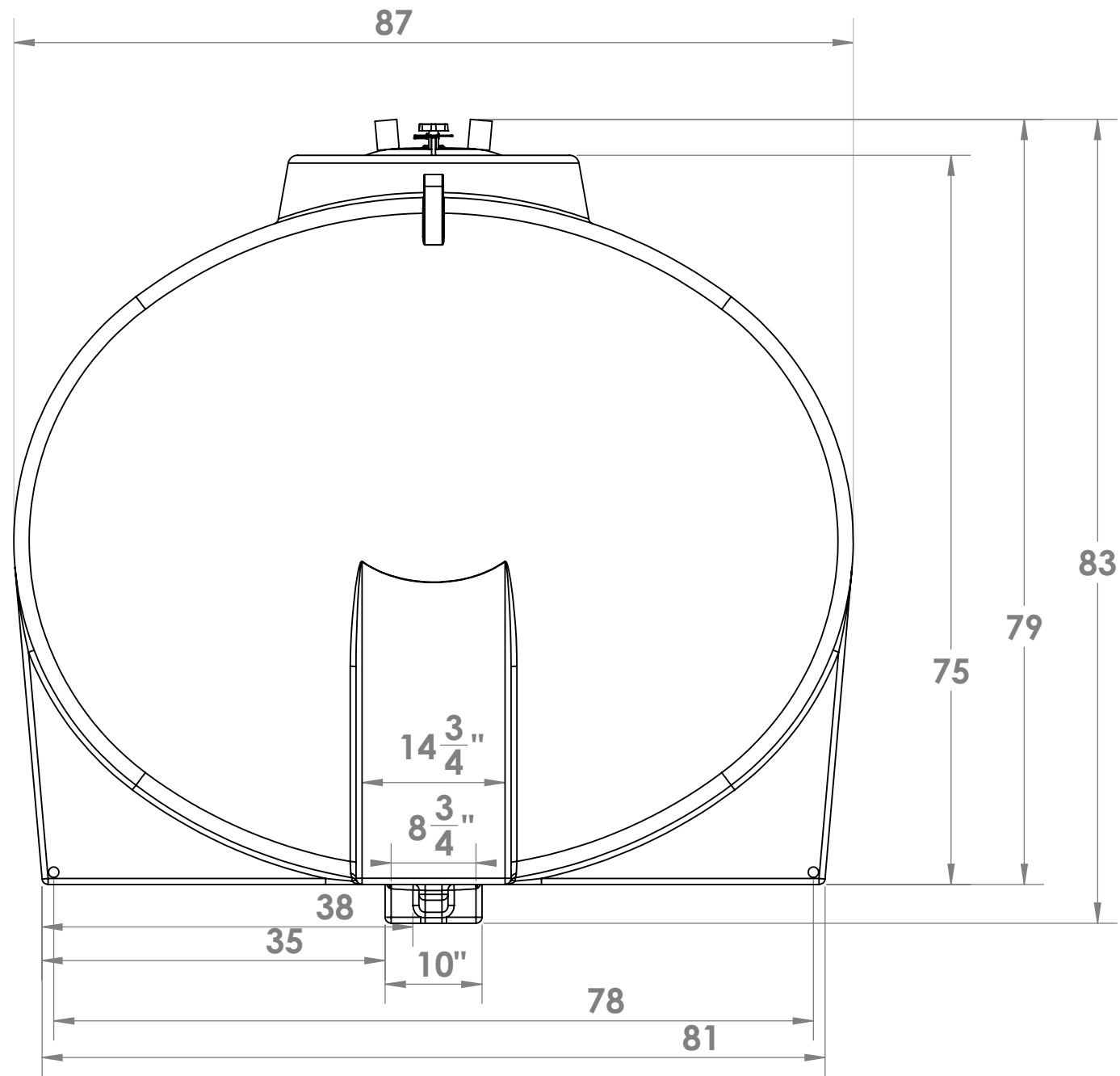
ENDURAPLAS LLC		
TITLE:		
ST3200LP		
SIZE	DWG. NO.	REV
C		1
SCALE: 1:50 WEIGHT:	SHEET 1 OF 1	

4

3

2

1



TITLE:

THD02500

PROPRIETARY AND CONFIDENTIAL
 THE INFORMATION CONTAINED IN THIS
 DRAWING IS THE SOLE PROPERTY OF
 ENDURAPLAS LLC. ANY REPRODUCTION
 IN PART OR AS A WHOLE WITHOUT
 THE WRITTEN PERMISSION OF
 ENDURAPLAS LLC IS PROHIBITED.

DRAWN:

1/15/2019

REV

1

DO NOT SCALE DRAWING

SCALE: 1:24

SHEET 1 OF 1

4

3

2

1

D

D

C

C

B

B

A

A

4

3

2

1

96

78

(74)

70

18

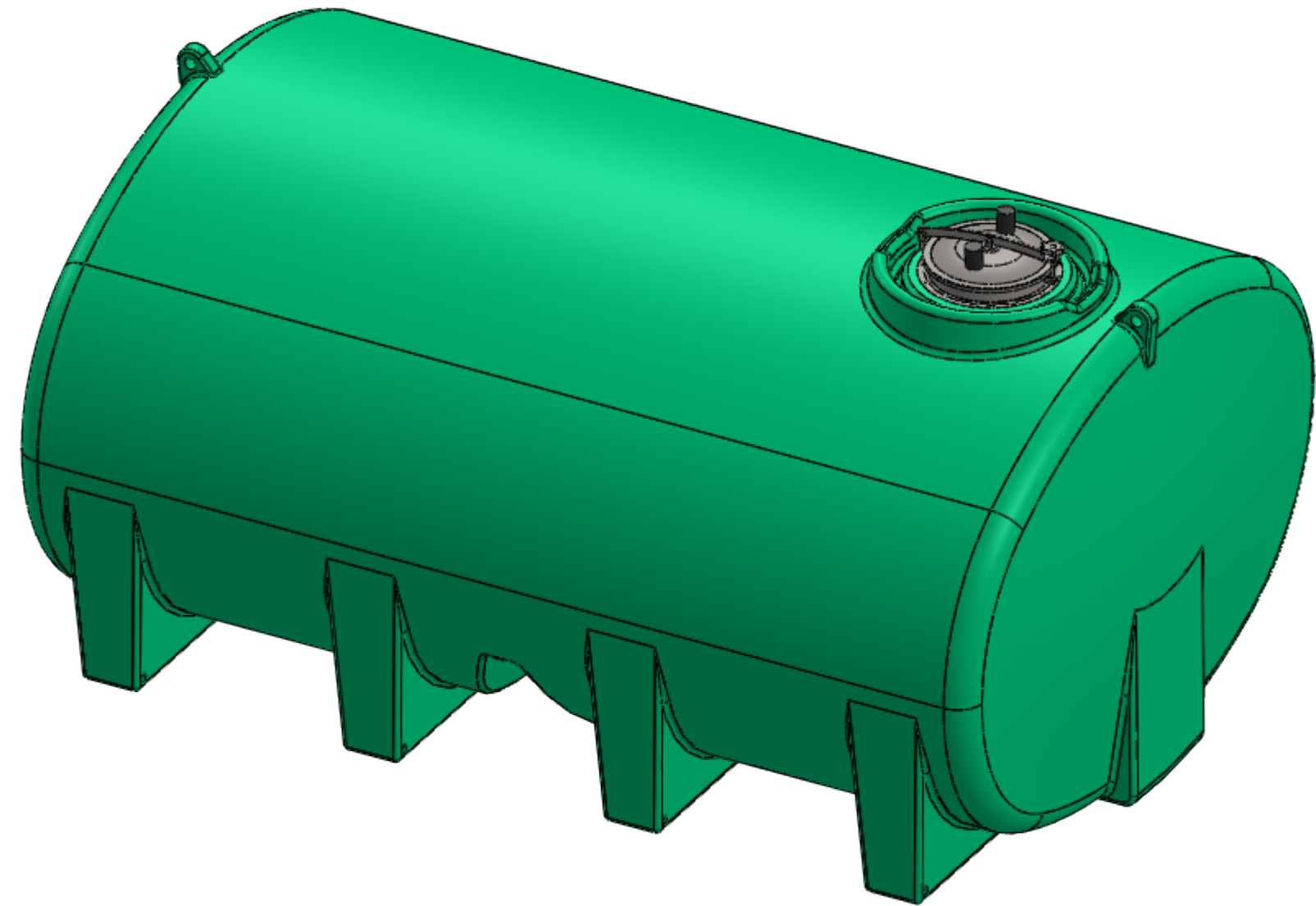
10

4

9

88

91



D

D

C

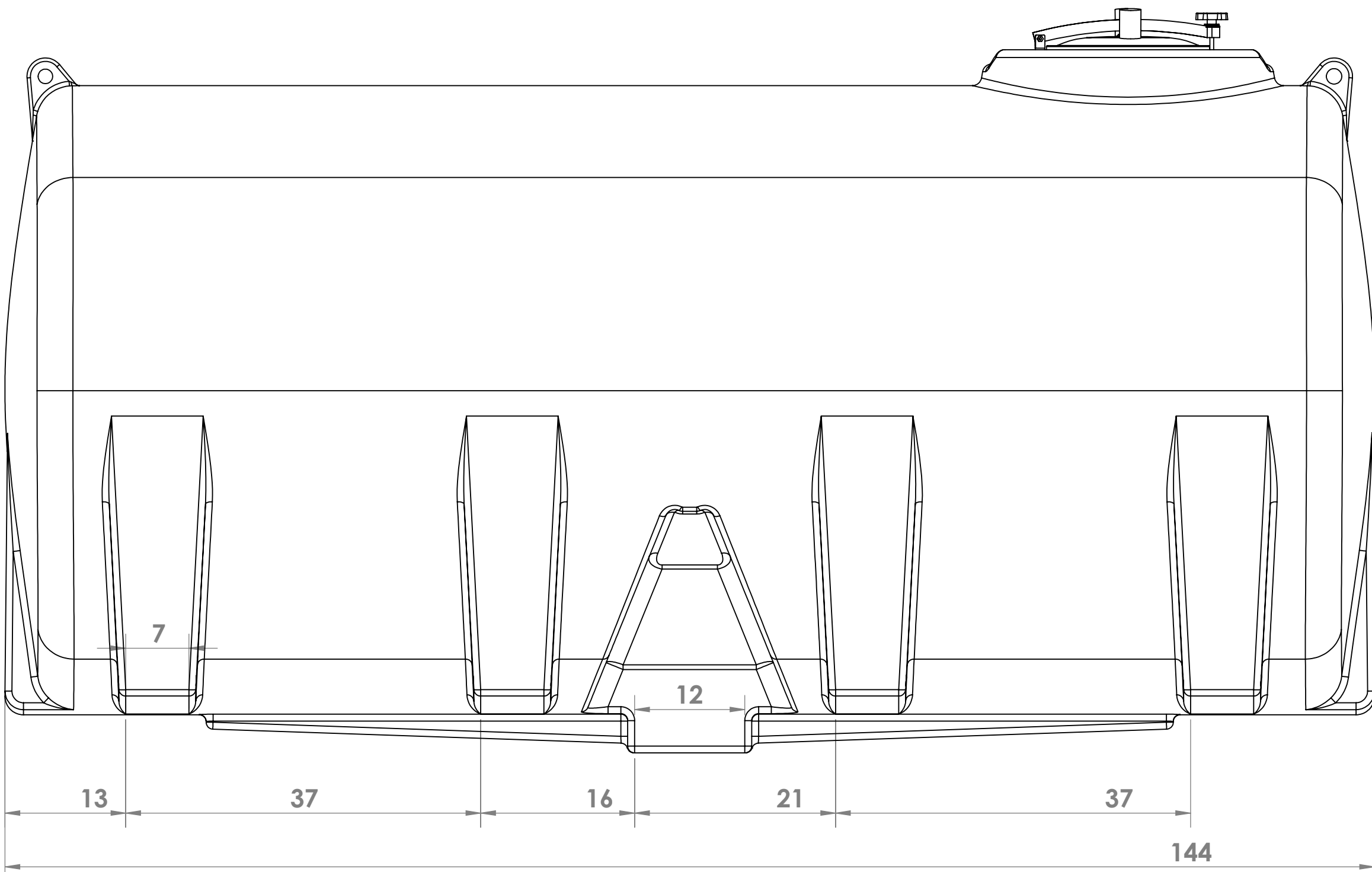
C

B

B

A

A



7

12

13

37

16

21

37

144

4

3

2

1



TITLE:

THD02800

PROPRIETARY AND CONFIDENTIAL
 THE INFORMATION CONTAINED IN THIS
 DRAWING IS THE SOLE PROPERTY OF
 ENDURAPLAS LLC. ANY REPRODUCTION
 IN PART OR AS A WHOLE WITHOUT
 THE WRITTEN PERMISSION OF
 ENDURAPLAS LLC IS PROHIBITED.

DRAWN:

1/15/2019

REV

1

DO NOT SCALE DRAWING

SCALE: 1:24

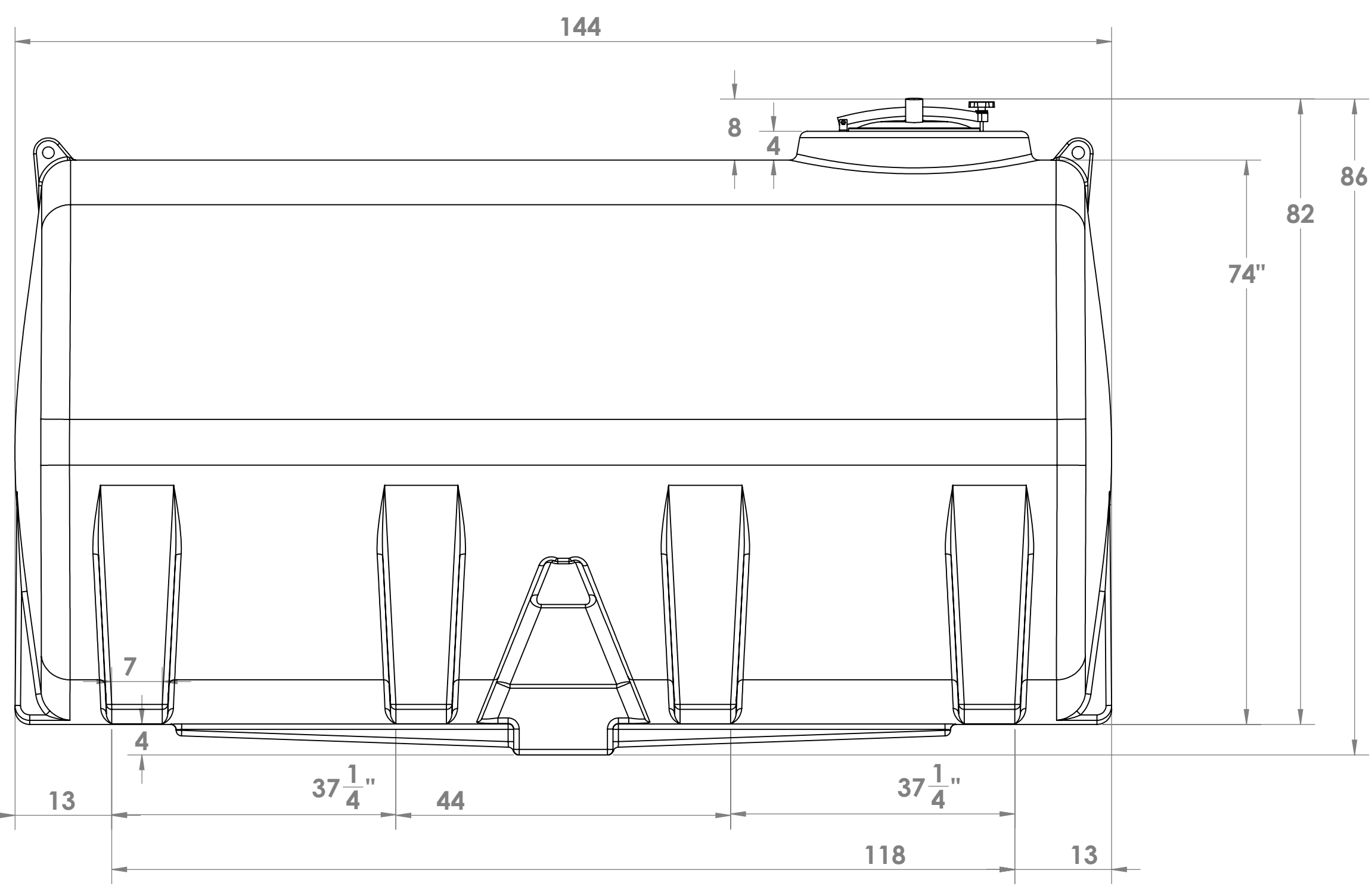
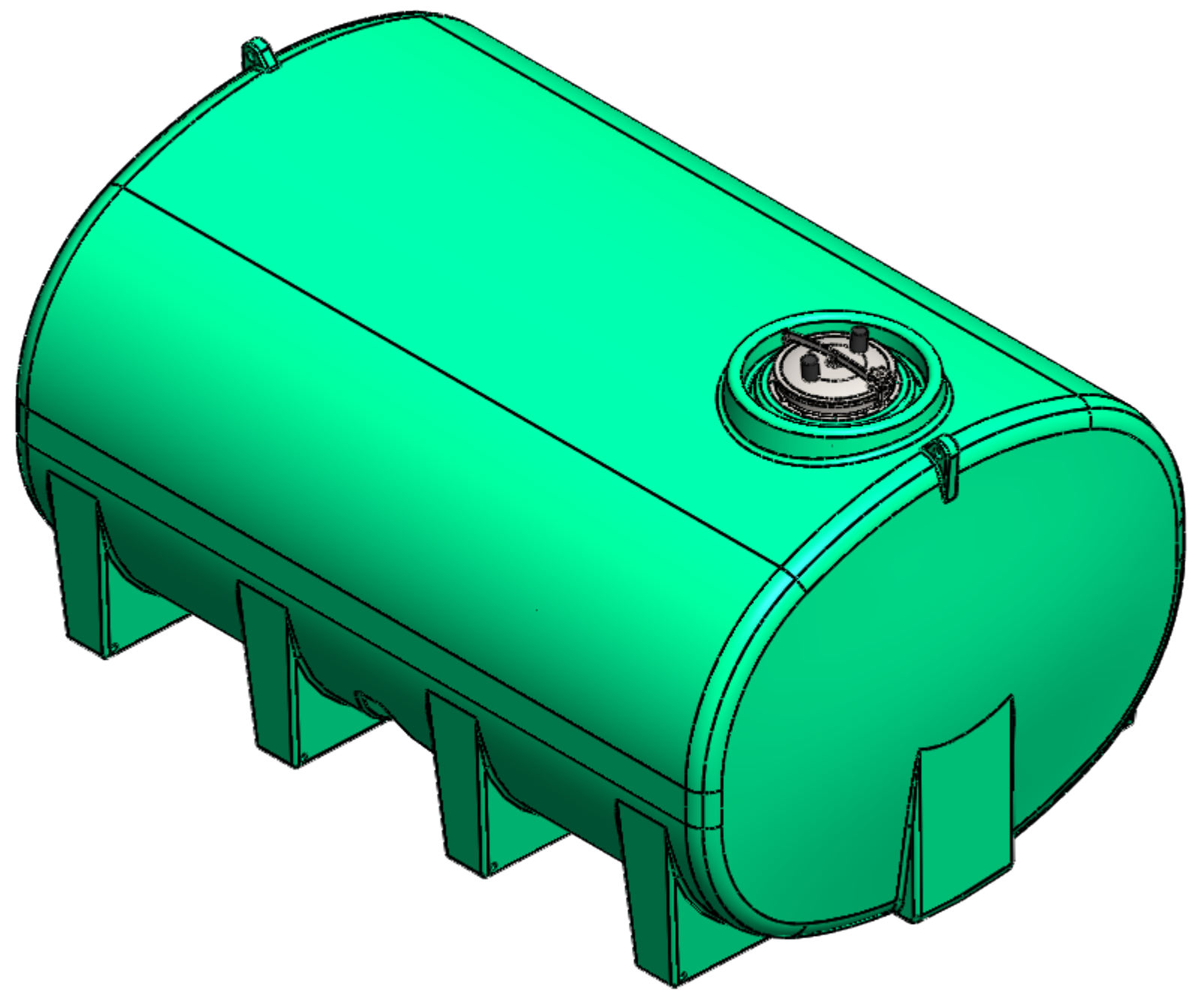
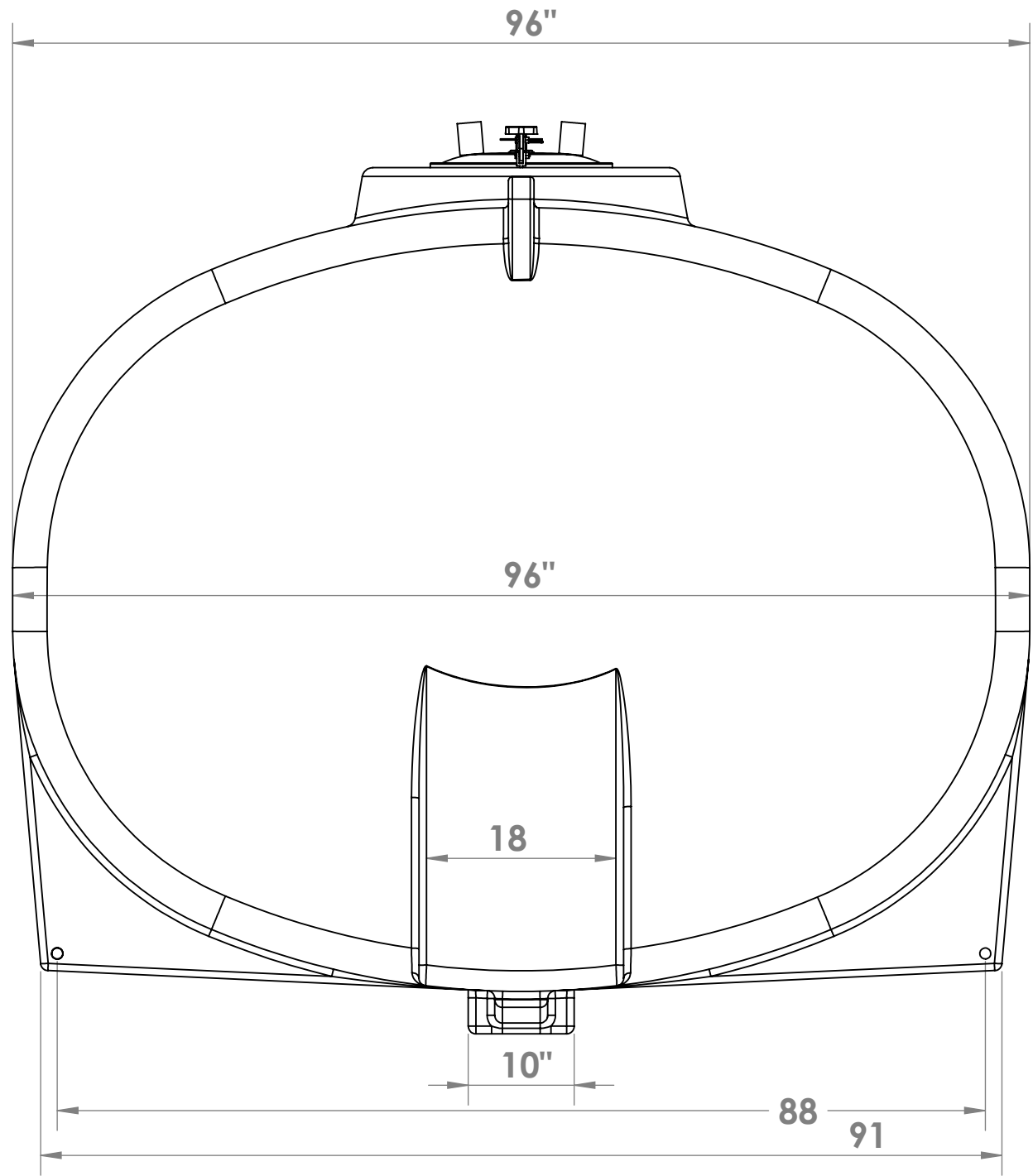
SHEET 1 OF 1

4

3

2

1



TITLE:			THD03200		
DRAWN:		1/14/2019		REV 1	
DO NOT SCALE DRAWING		SCALE: 1:24		SHEET 1 OF 1	

PROPRIETARY AND CONFIDENTIAL
 THE INFORMATION CONTAINED IN THIS DRAWING IS THE SOLE PROPERTY OF ENDURAPLAS LLC. ANY REPRODUCTION IN PART OR AS A WHOLE WITHOUT THE WRITTEN PERMISSION OF ENDURAPLAS LLC IS PROHIBITED.

4

3

2

1

D

D

C

C

B

B

A

A